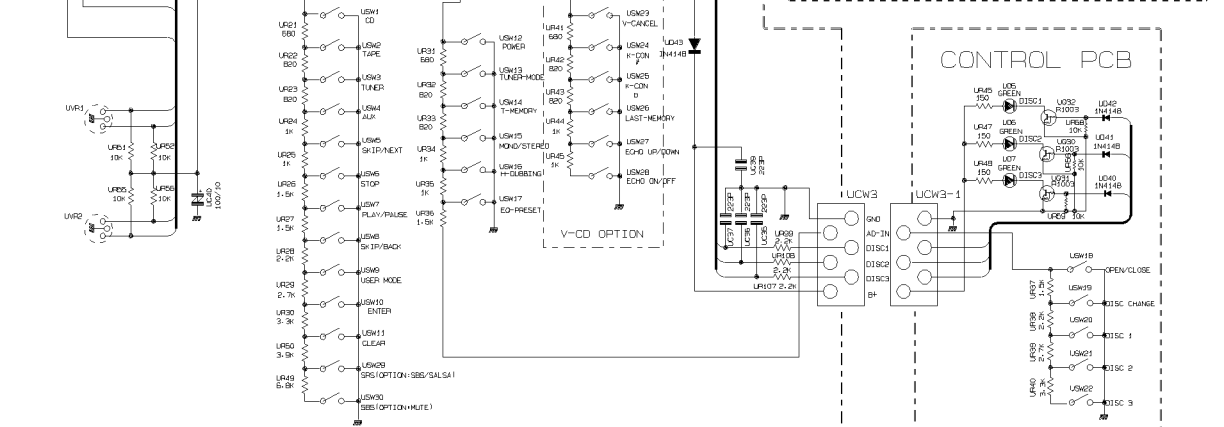
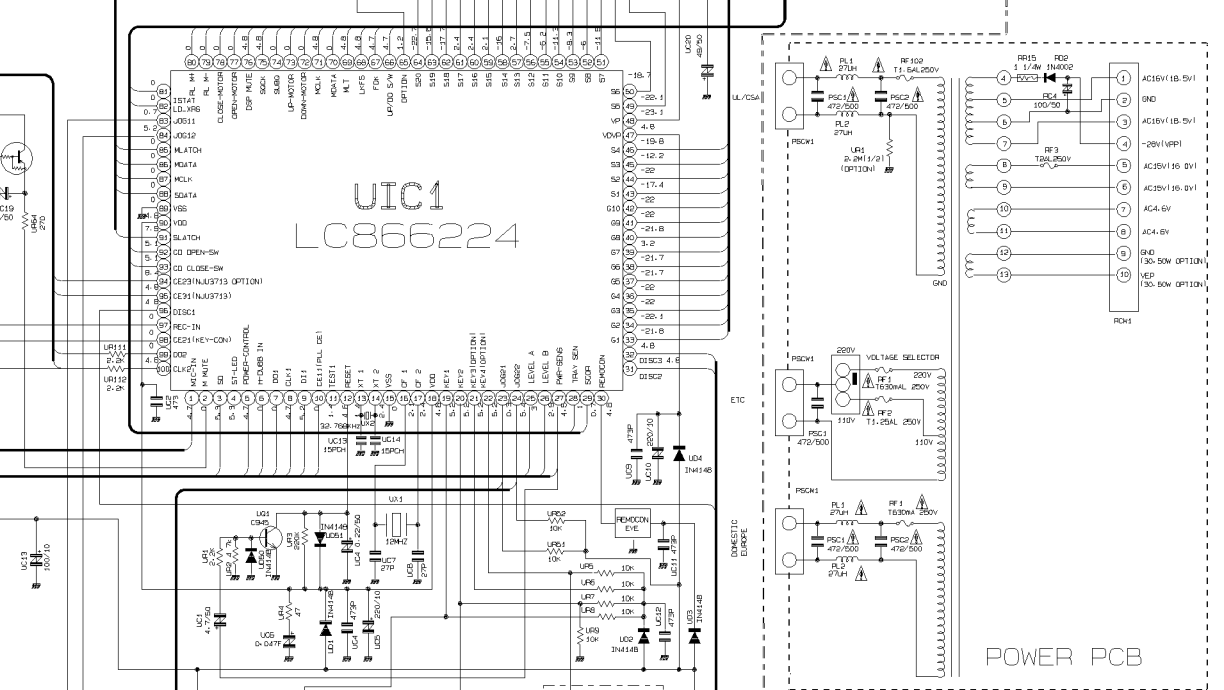
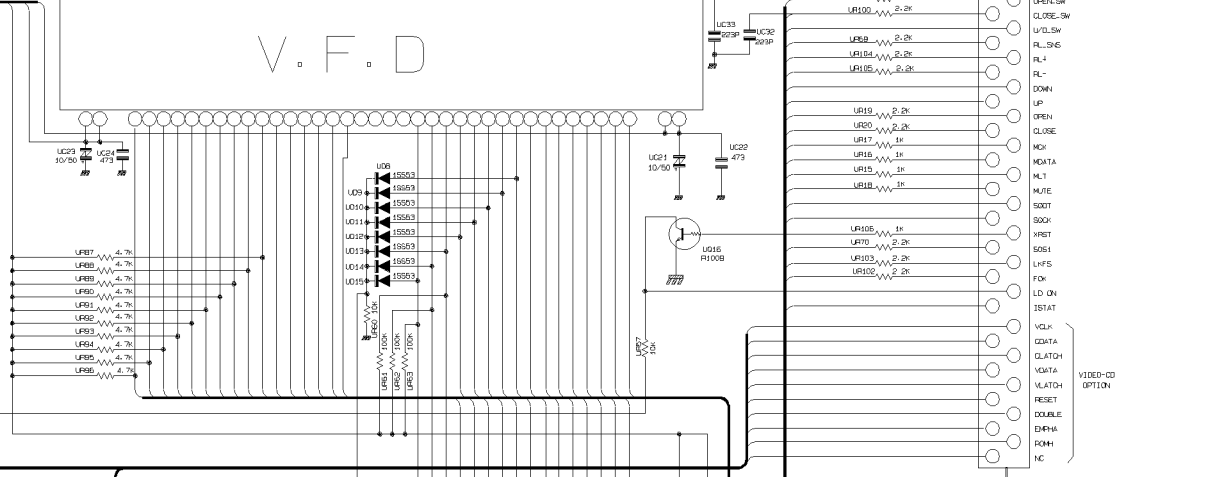
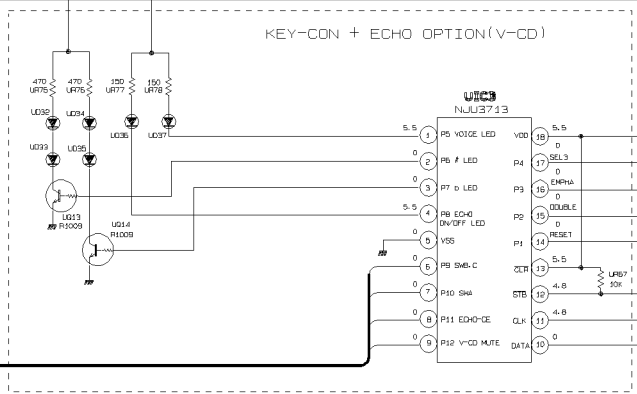
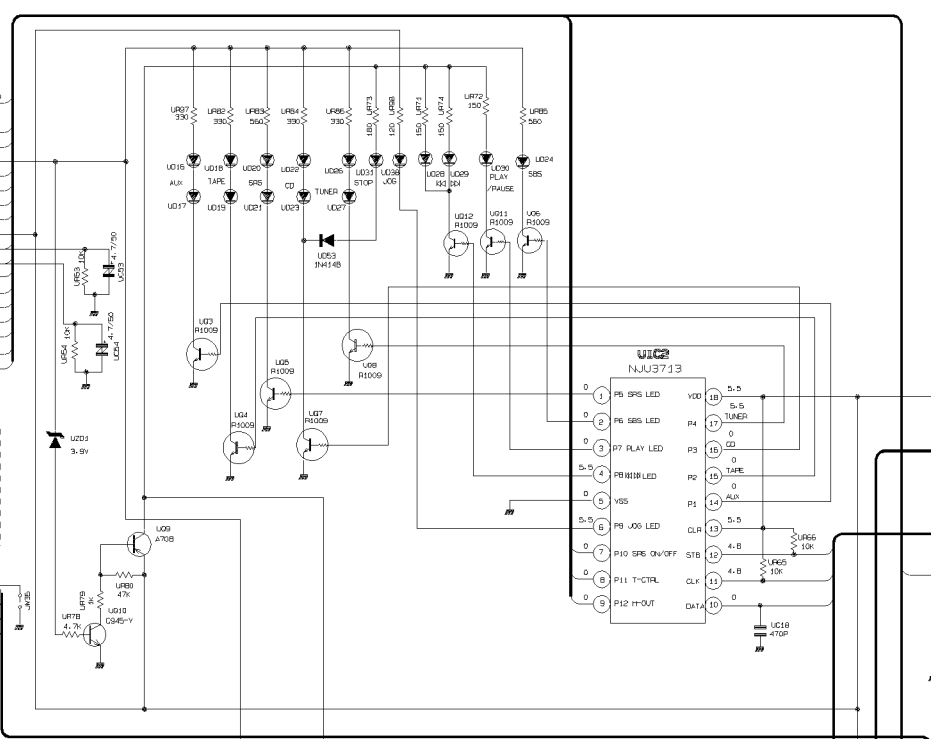


AC
AC
-30V -YIP
POWER_BEN
GND
SRS
H-OUT
+5V
STY-LED
POWER-ON
MUTE
T-CTRL
+BY
LEVEL_B
LEVEL_A
REC-IN
H-IN
GND
CLK
CE
SD

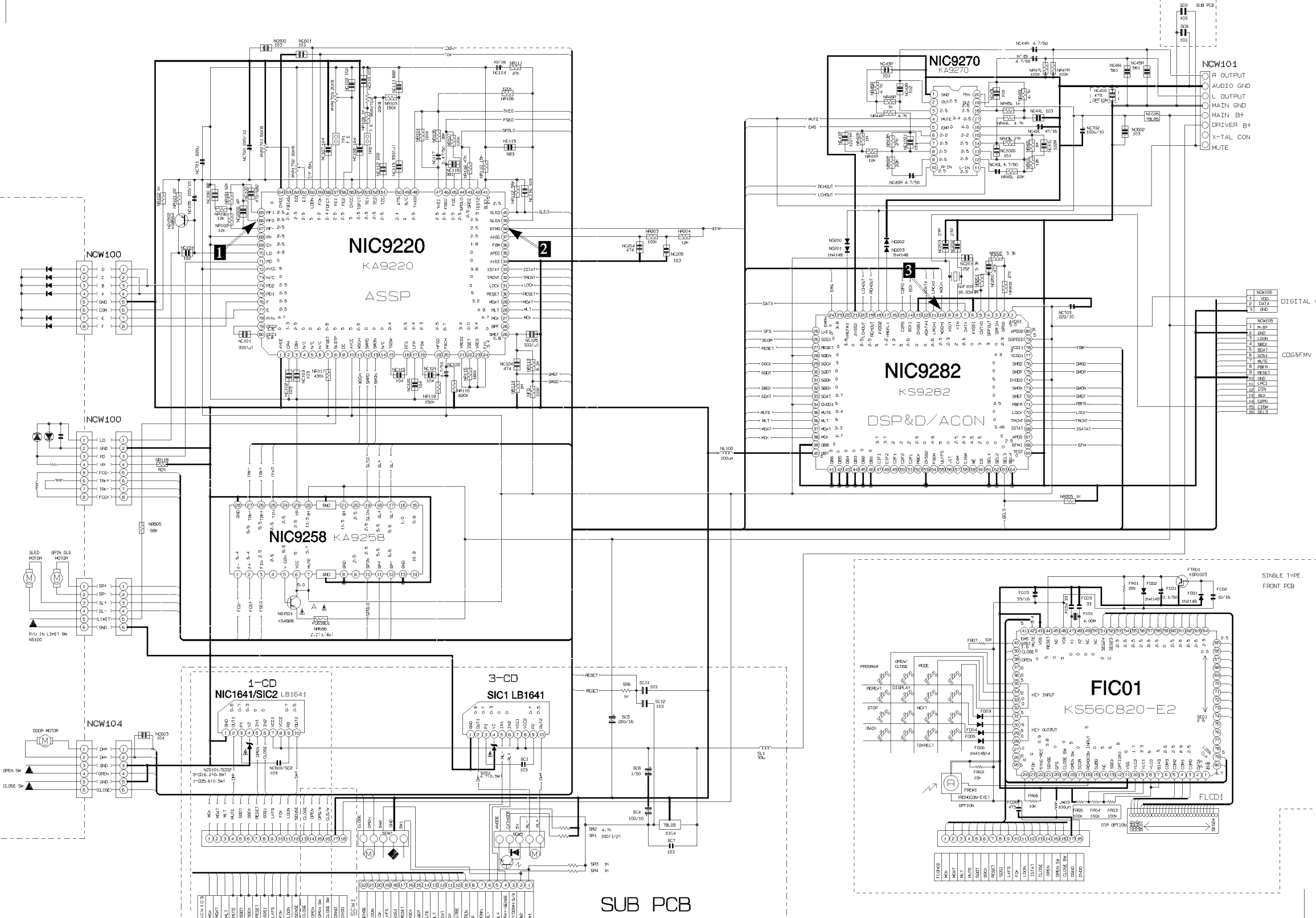
MIC-IN 5016
KEY-LED1(H65846)
CLK(H65845)-H65846
DATA(H65844)-H65845
NC
ECHO LATCH(H65846)
SMA
SMB_C
NC

MIC OPTION
UG77
R1007



POWER PCB

CONTROL PCB



NIC9220
KA9220
ASSP

NIC9282
KS9282
DSP&D/ACON

NIC9258
KA9258

FIC01
KS56C820-E2

1-CD
NIC1641/SIC2 LB1641

3-CD
SIC1 LB1641

SUB PCB

SINGLE TYPE
FRONT PCB

NCW100	1	2	3	4	5	6	7	8	9	10	11	12	13	14	15	16	17	18
NCW100	1	2	3	4	5	6	7	8	9	10	11	12	13	14	15	16	17	18
INCW100	1	2	3	4	5	6	7	8	9	10	11	12	13	14	15	16	17	18
NCW104	1	2	3	4	5	6	7	8	9	10	11	12	13	14	15	16	17	18

NCW105	1	2	3	4	5	6	7	8	9	10	11	12	13	14	15	16	17	18
NCW105	1	2	3	4	5	6	7	8	9	10	11	12	13	14	15	16	17	18

FC0002	1	2	3	4	5	6	7	8	9	10	11	12	13	14	15	16	17	18
FC0002	1	2	3	4	5	6	7	8	9	10	11	12	13	14	15	16	17	18