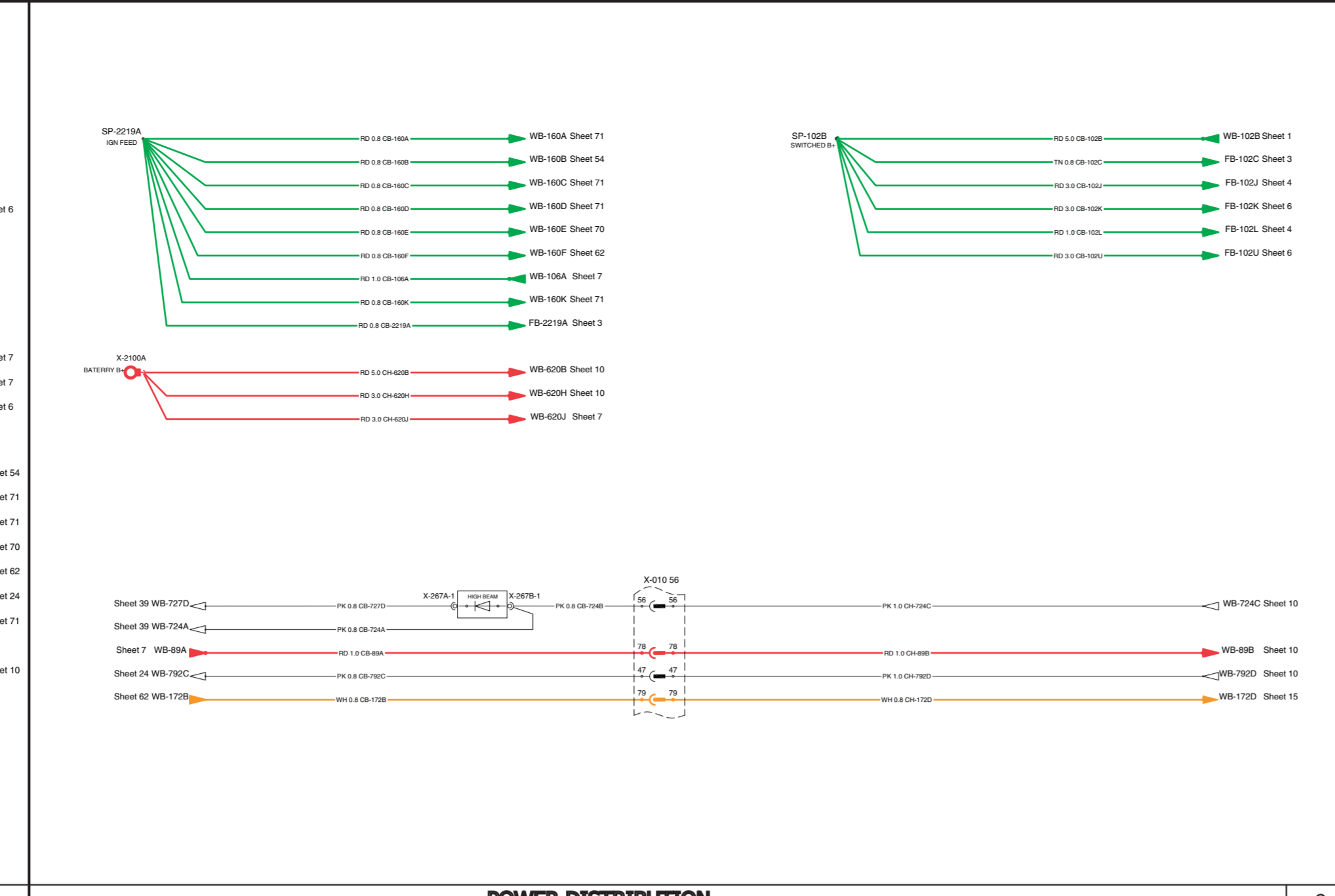
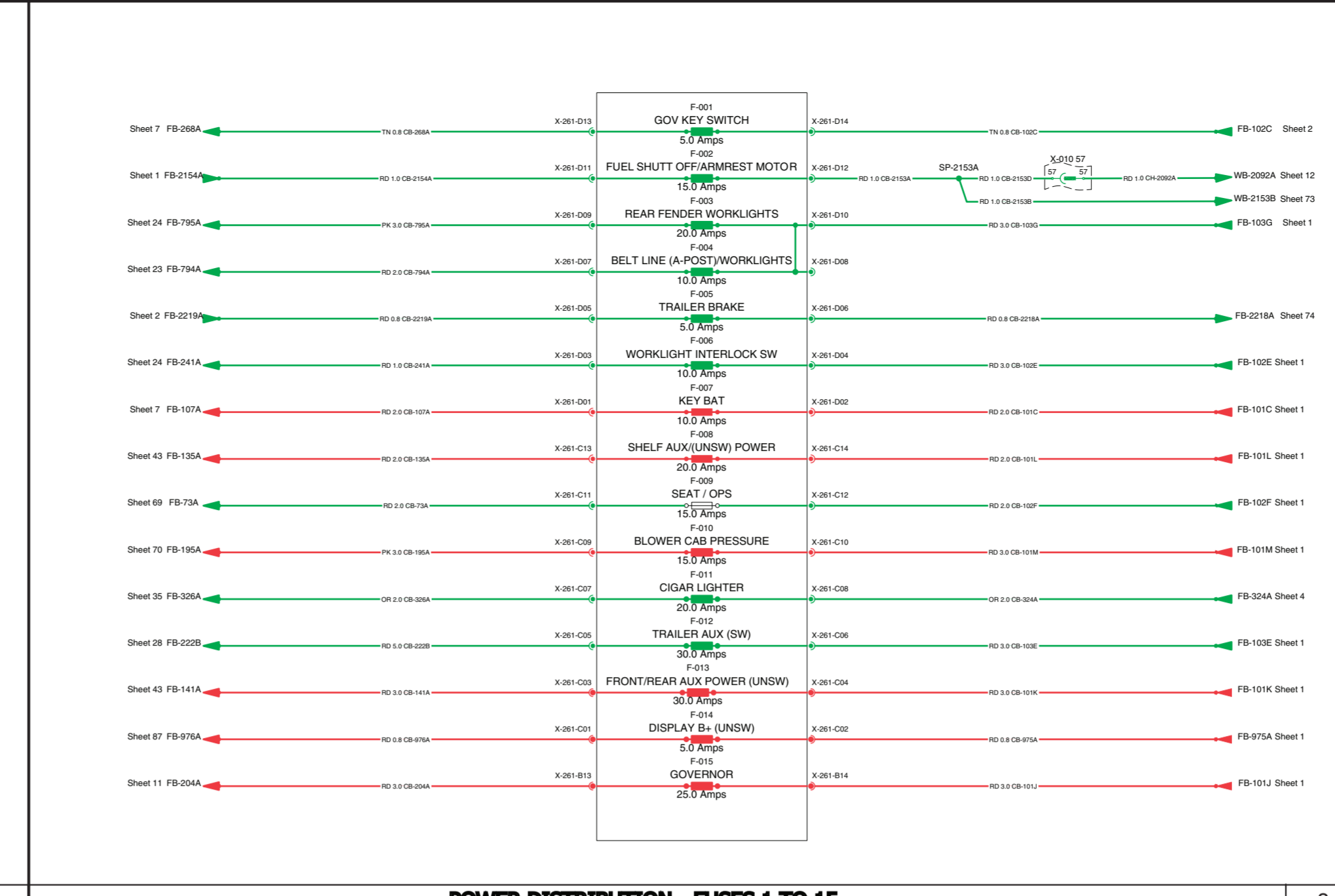


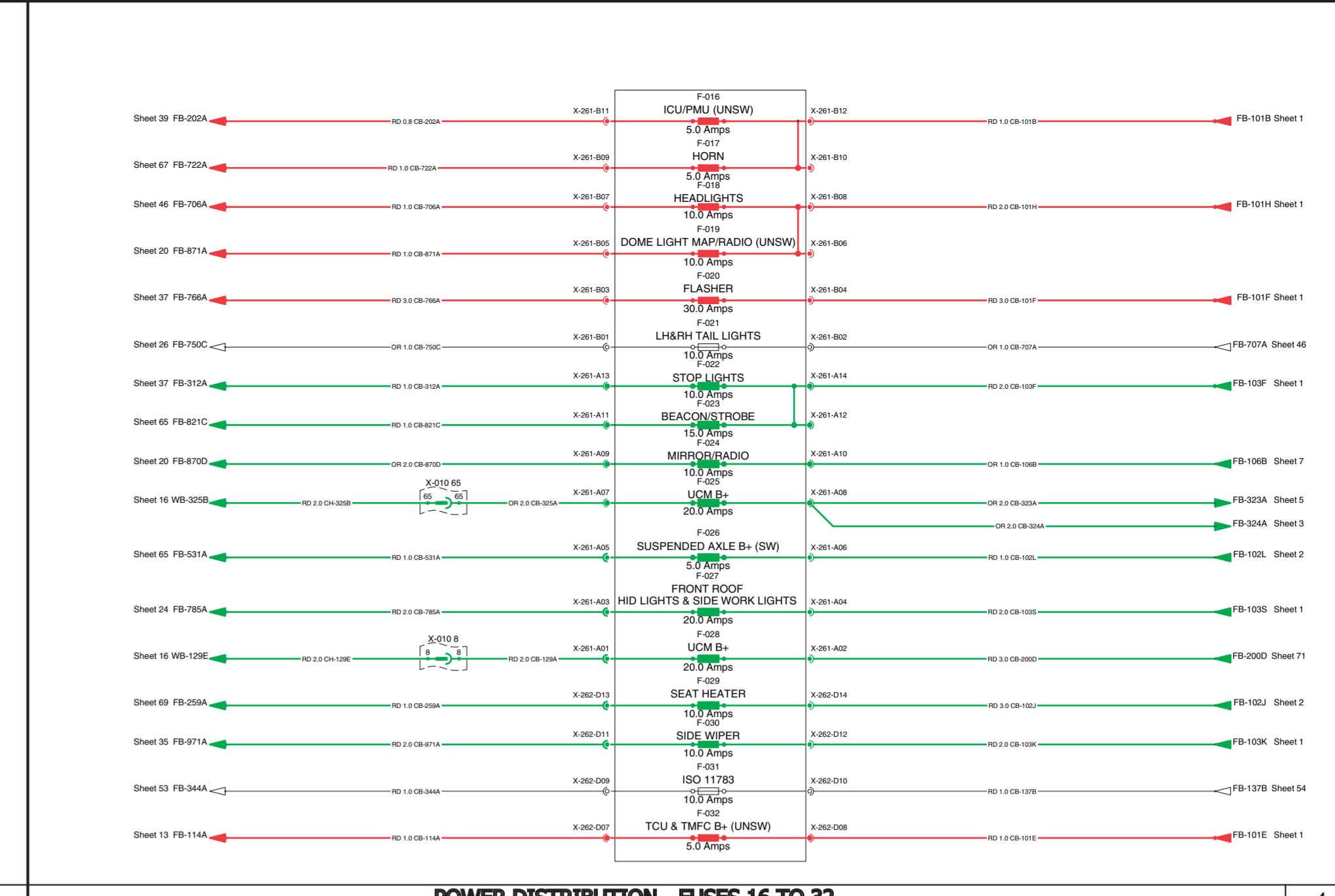
POWER DISTRIBUTION



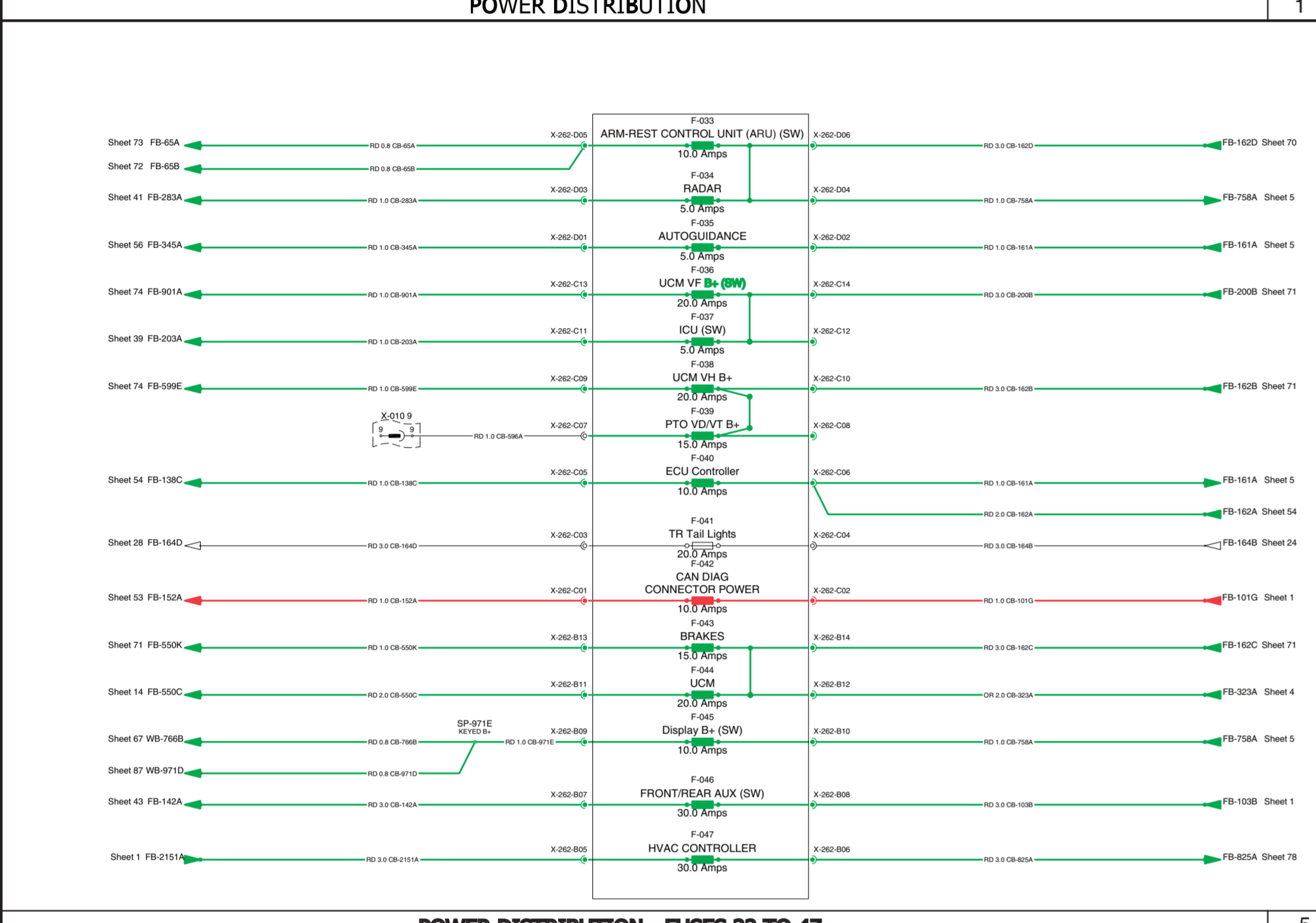
POWER DISTRIBUTION



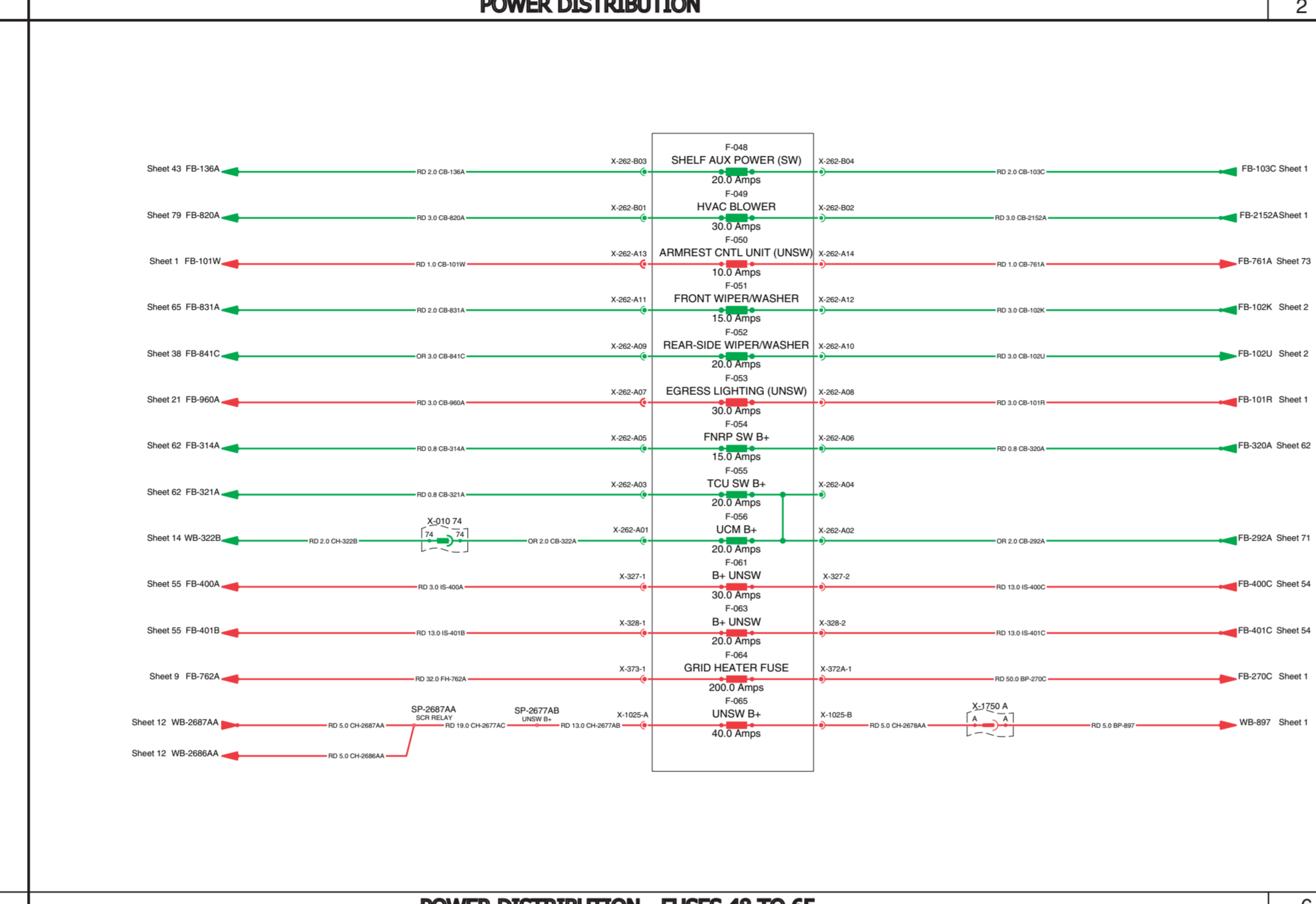
POWER DISTRIBUTION - FUSES 1 TO 15



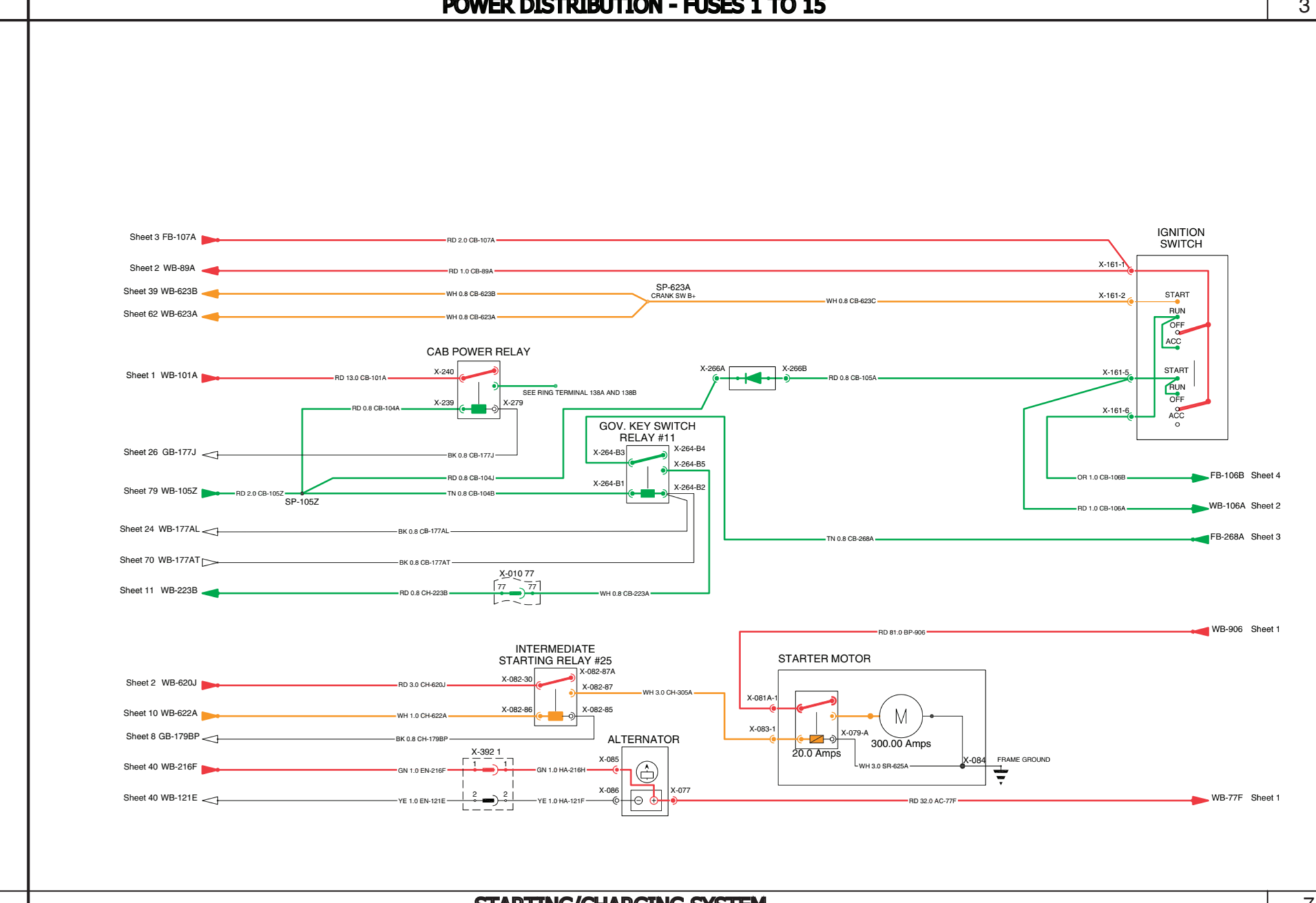
POWER DISTRIBUTION - FUSES 16 TO 32



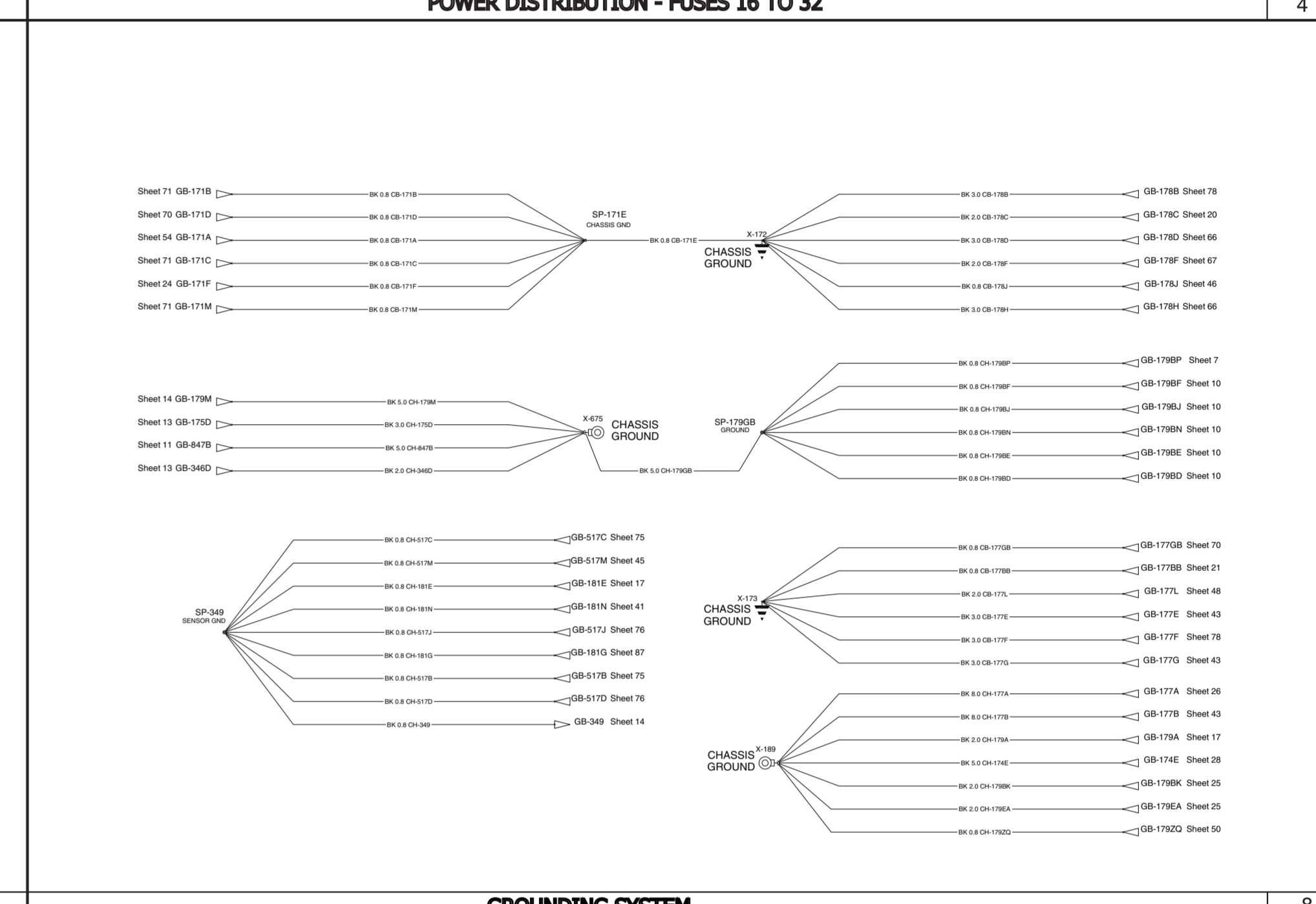
POWER DISTRIBUTION - FUSES 33 TO 47



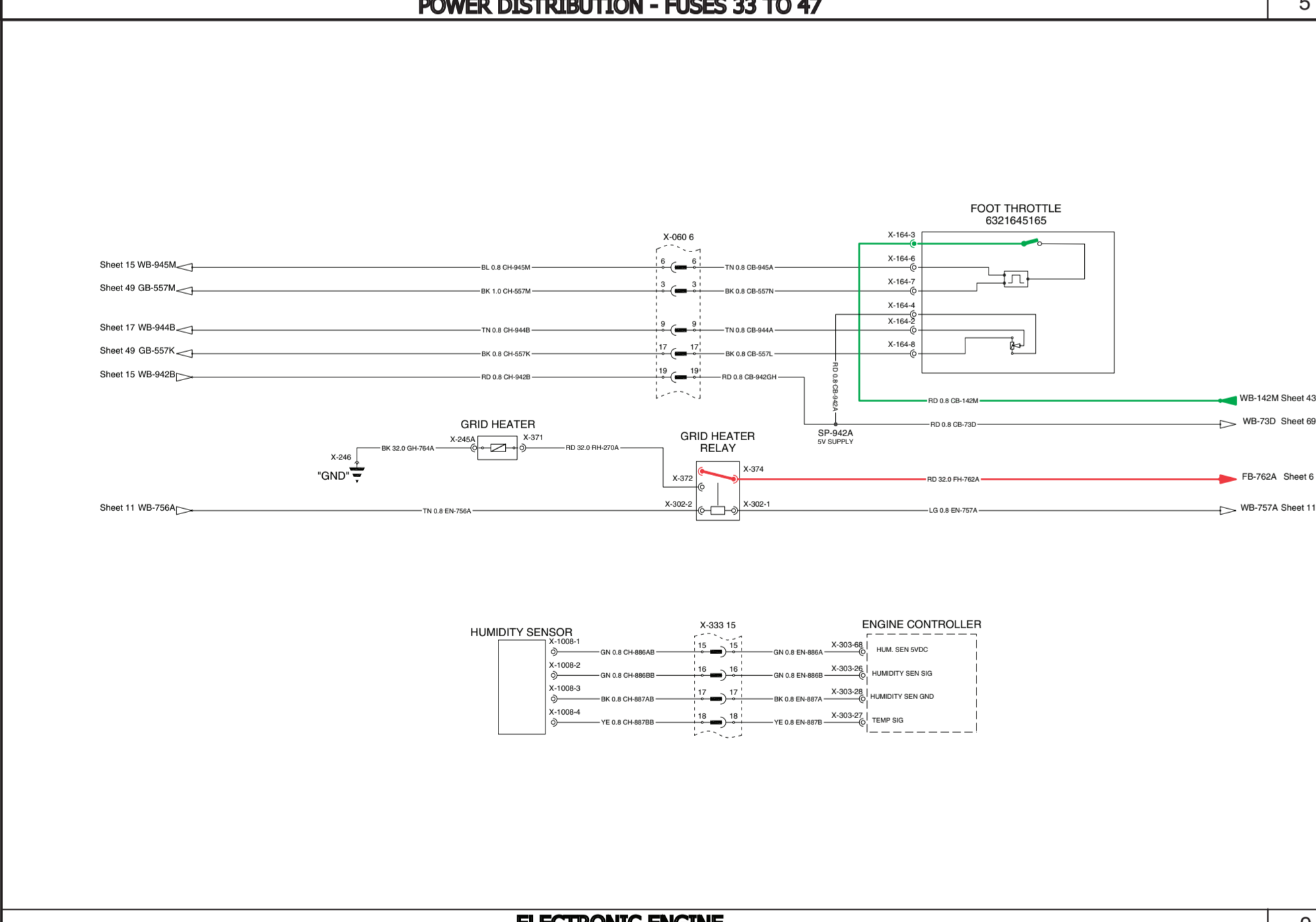
POWER DISTRIBUTION - FUSES 48 TO 65



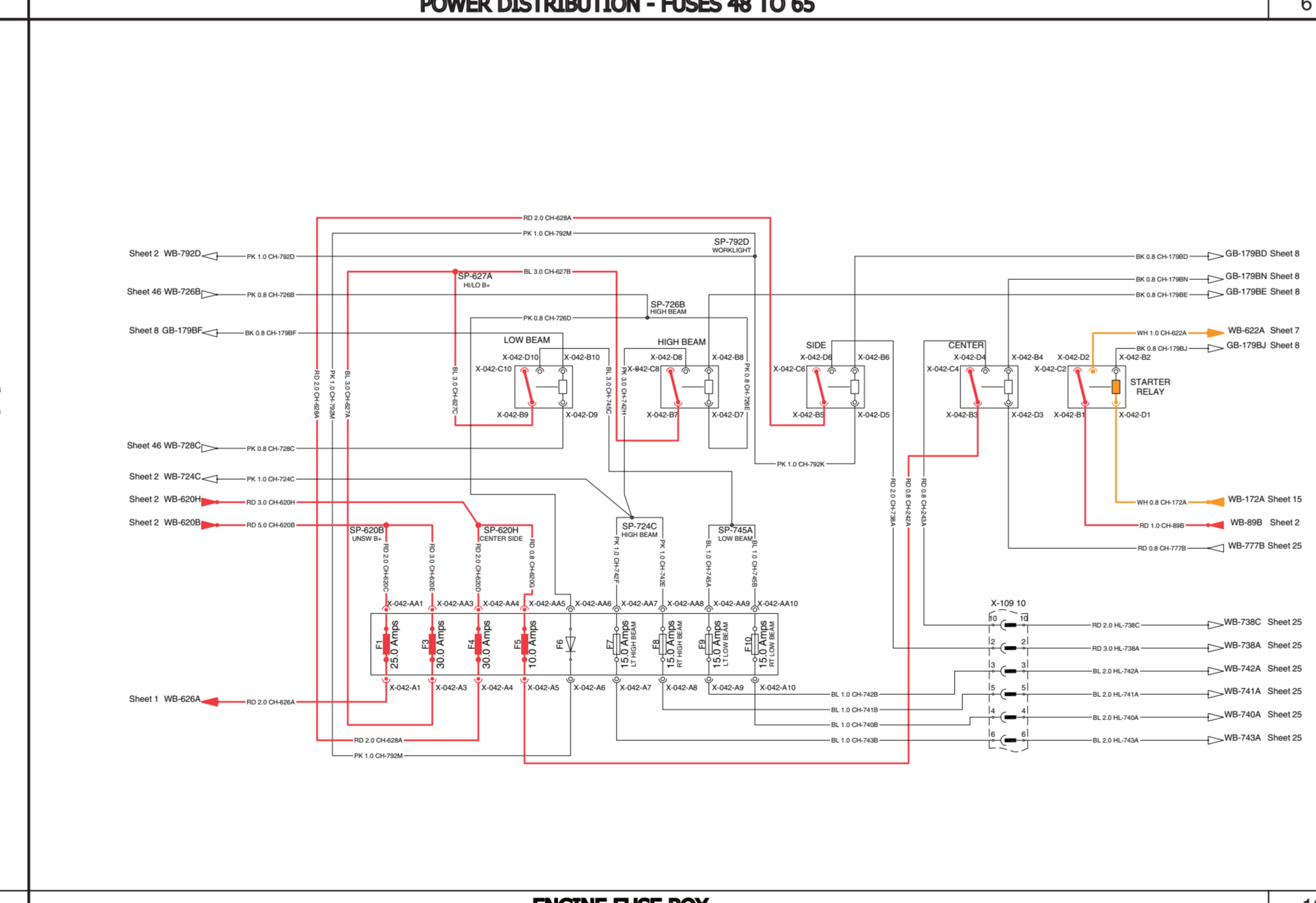
STARTING/CHARGING SYSTEM



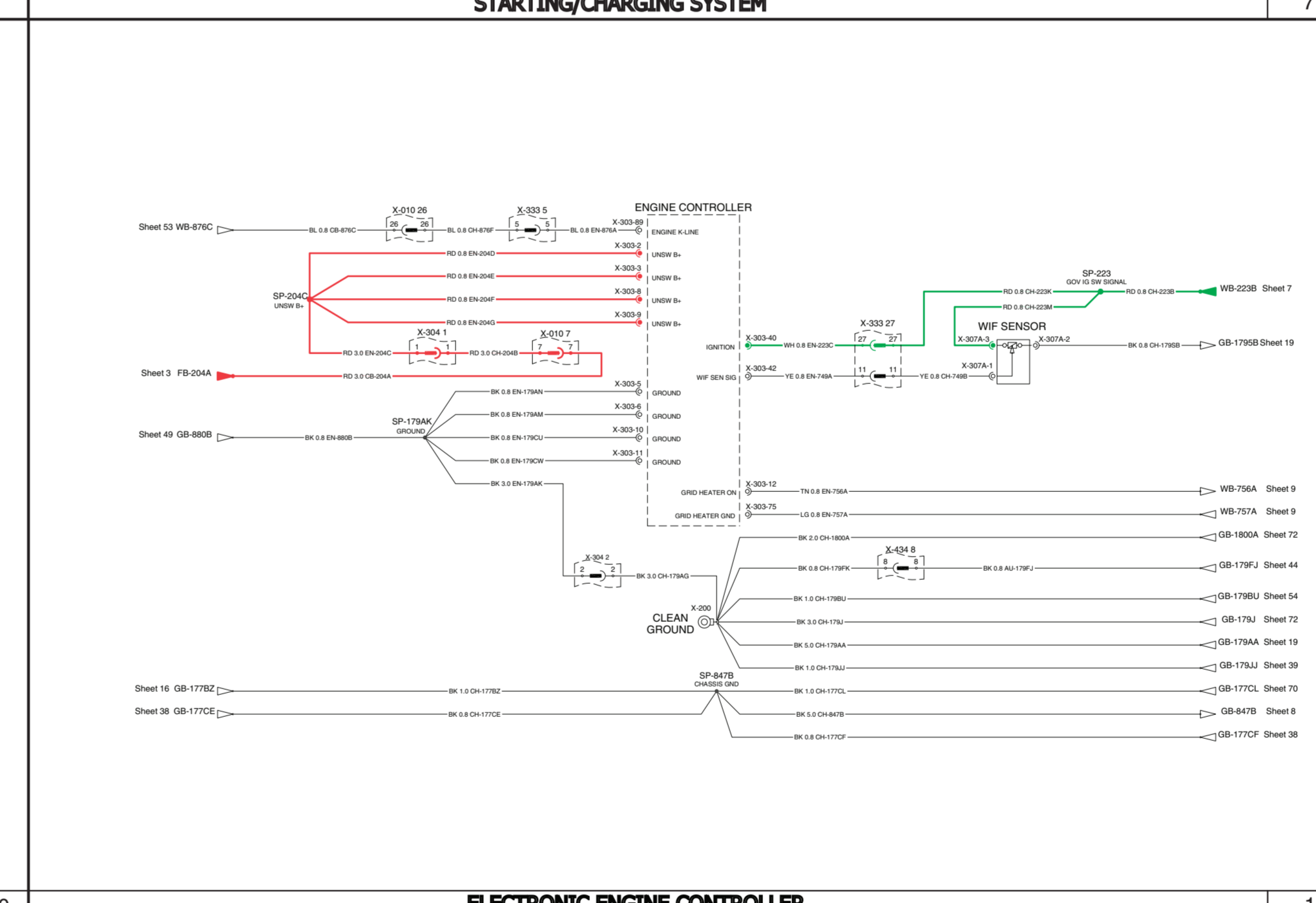
GROUNDING SYSTEM



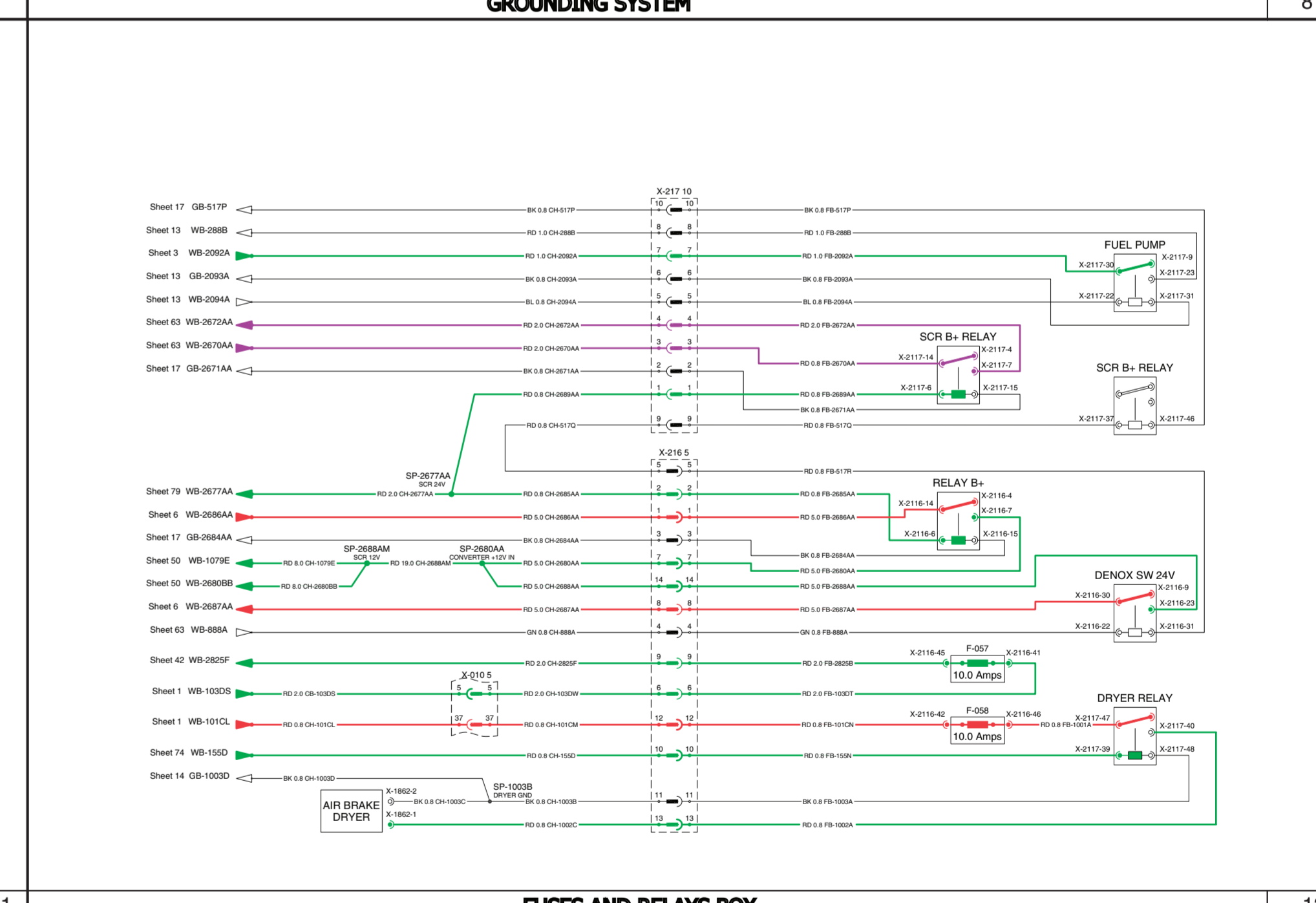
ELECTRONIC ENGINE



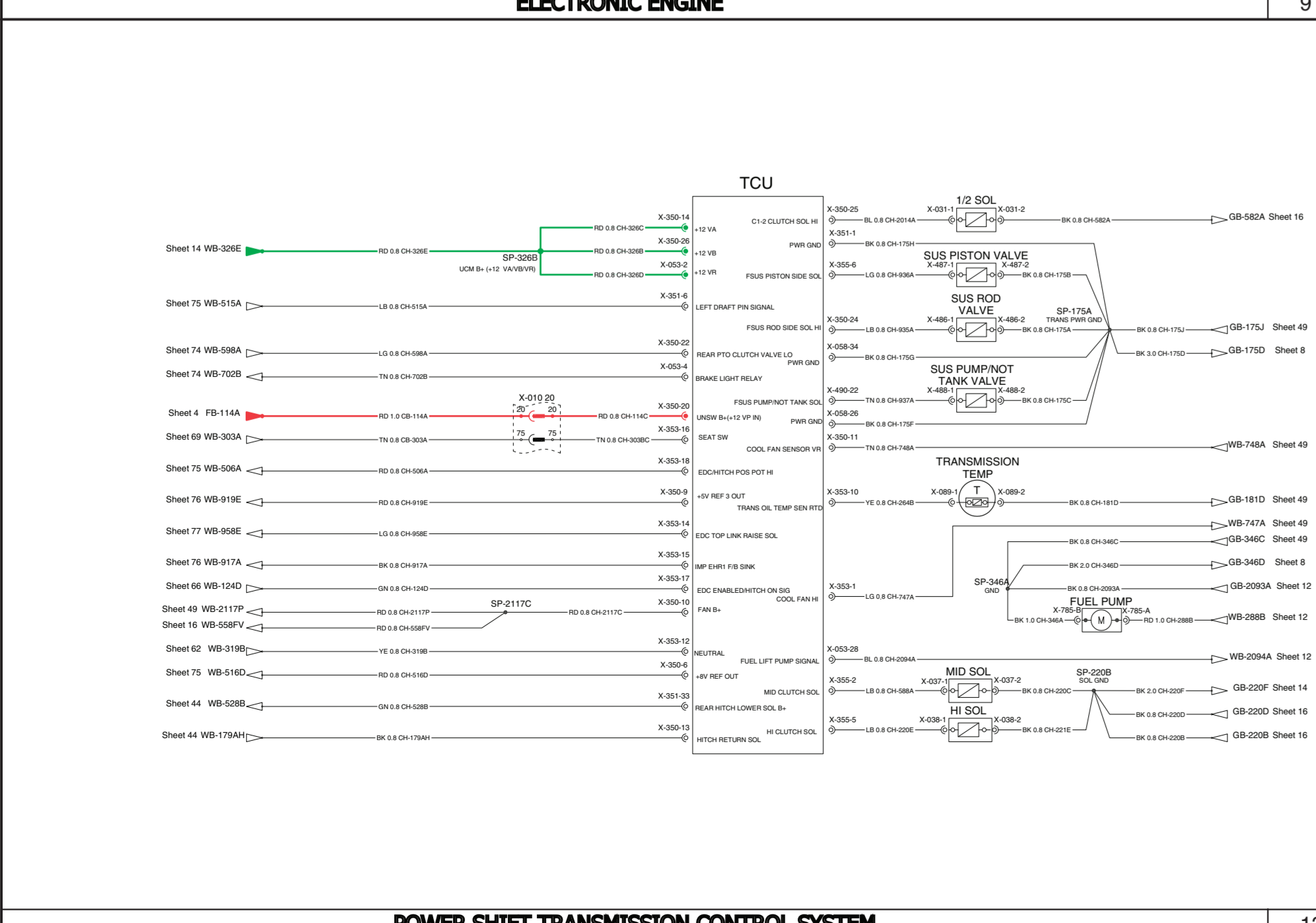
ENGINE FUSE BOX



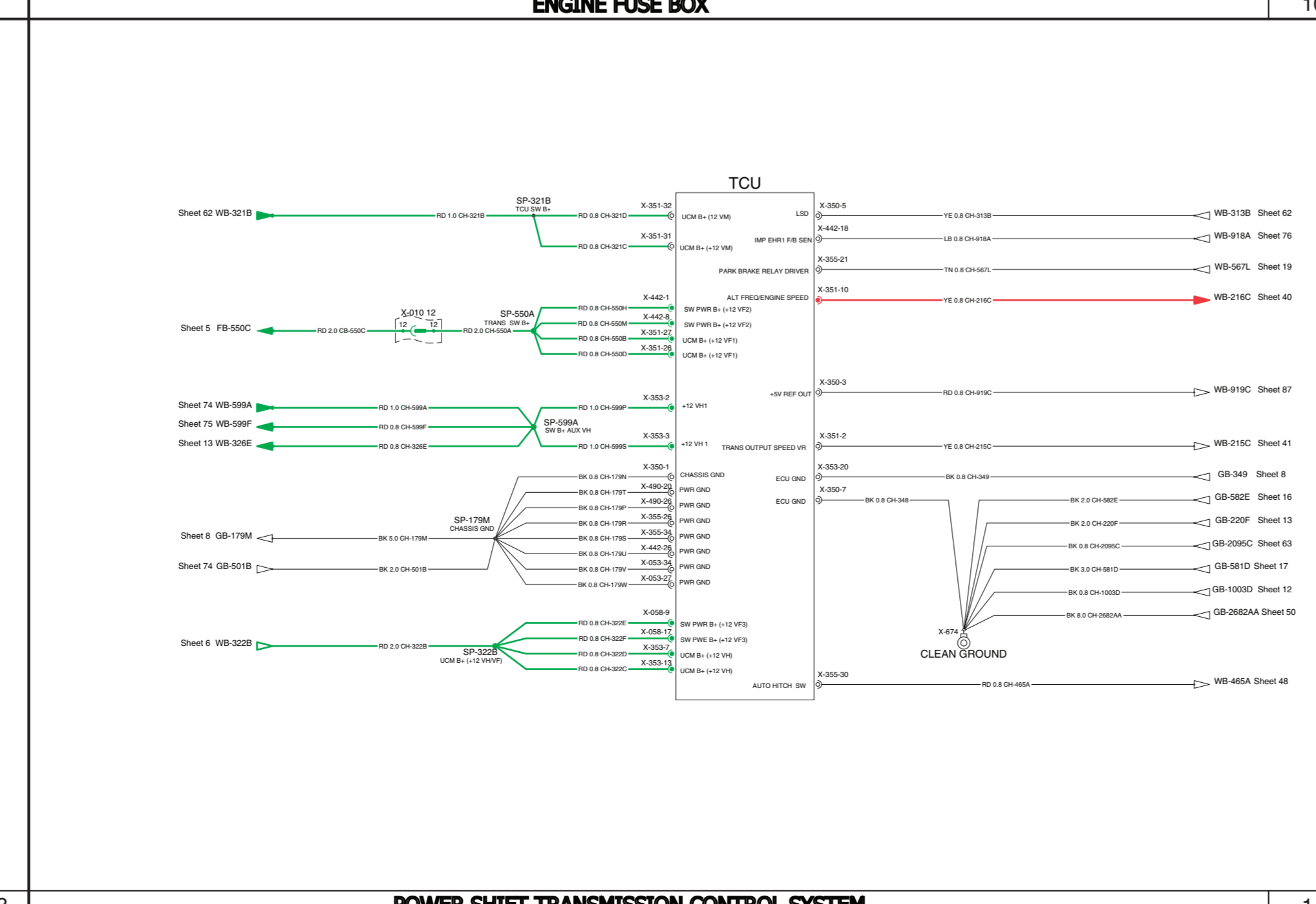
ELECTRONIC ENGINE CONTROLLER



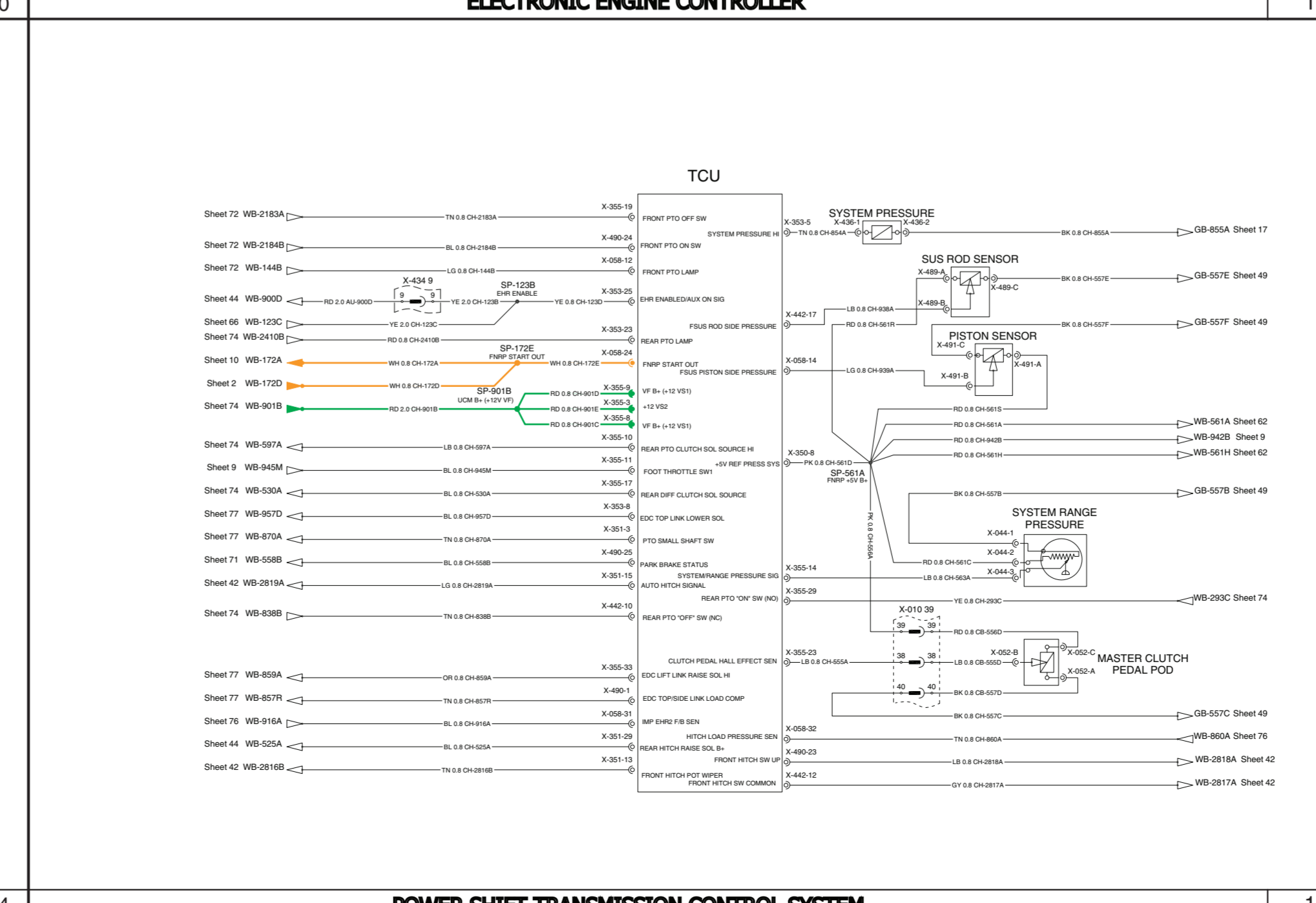
FUSES AND RELAYS BOX



POWER SHIFT TRANSMISSION CONTROL SYSTEM



POWER SHIFT TRANSMISSION CONTROL SYSTEM

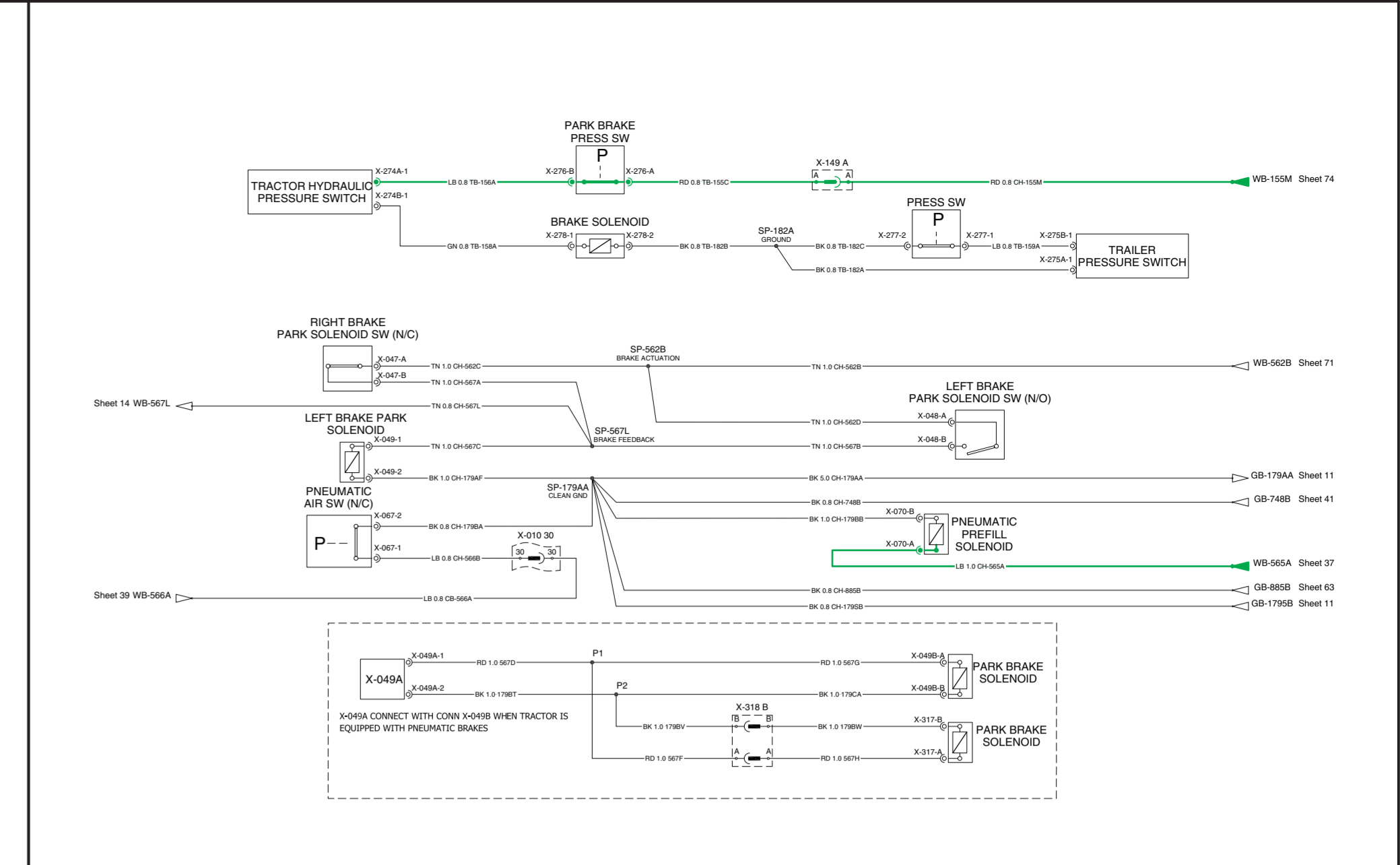
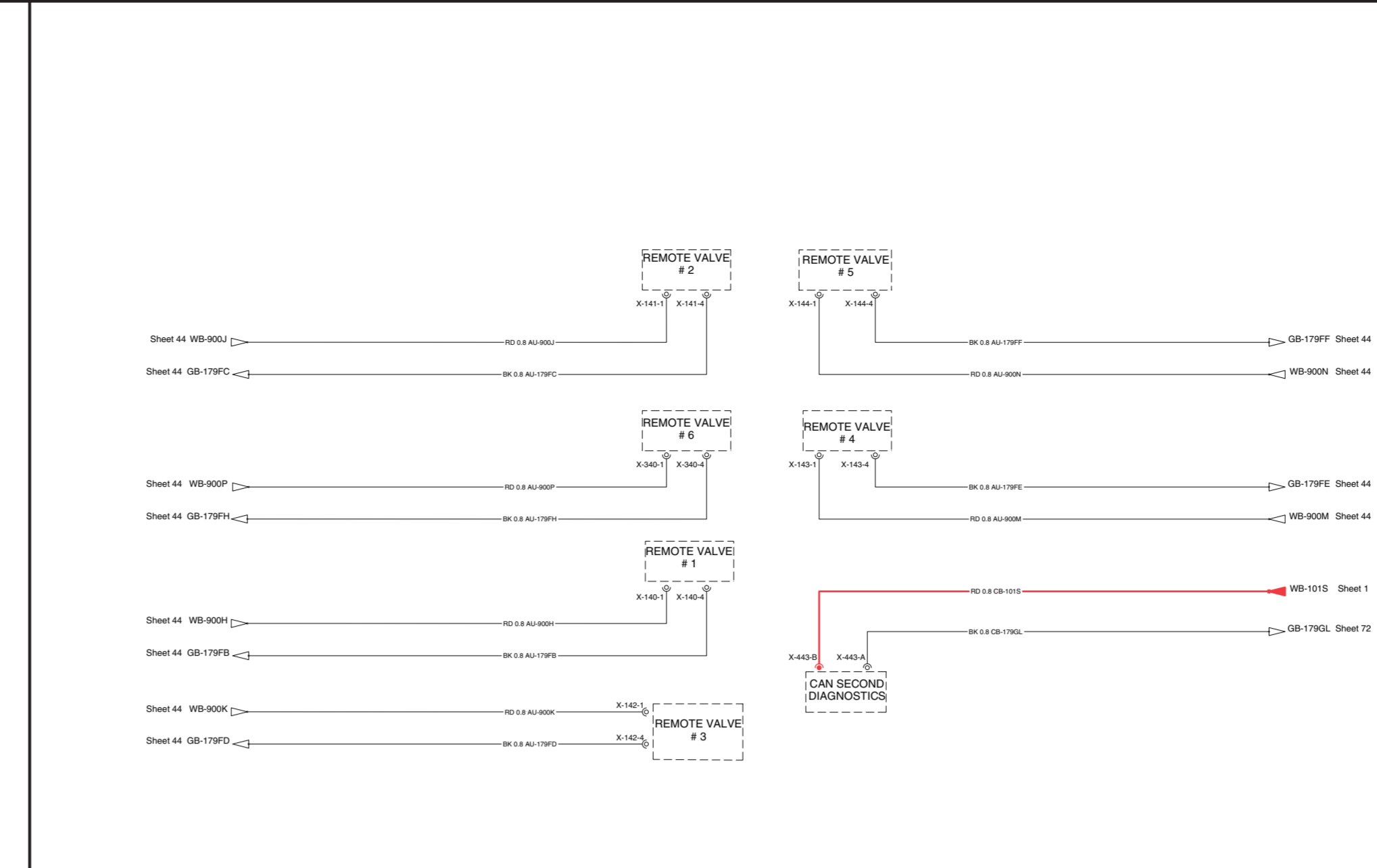
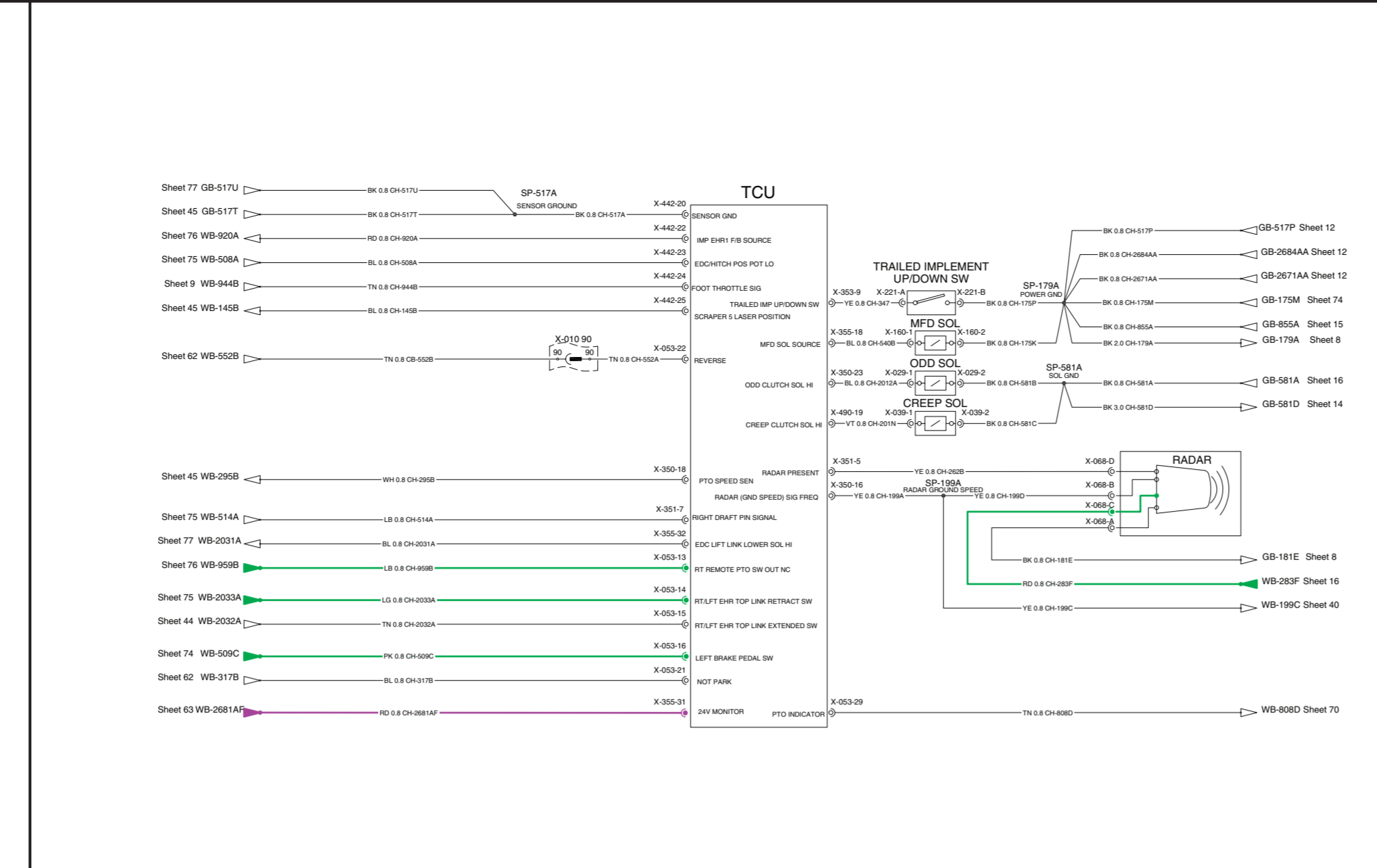
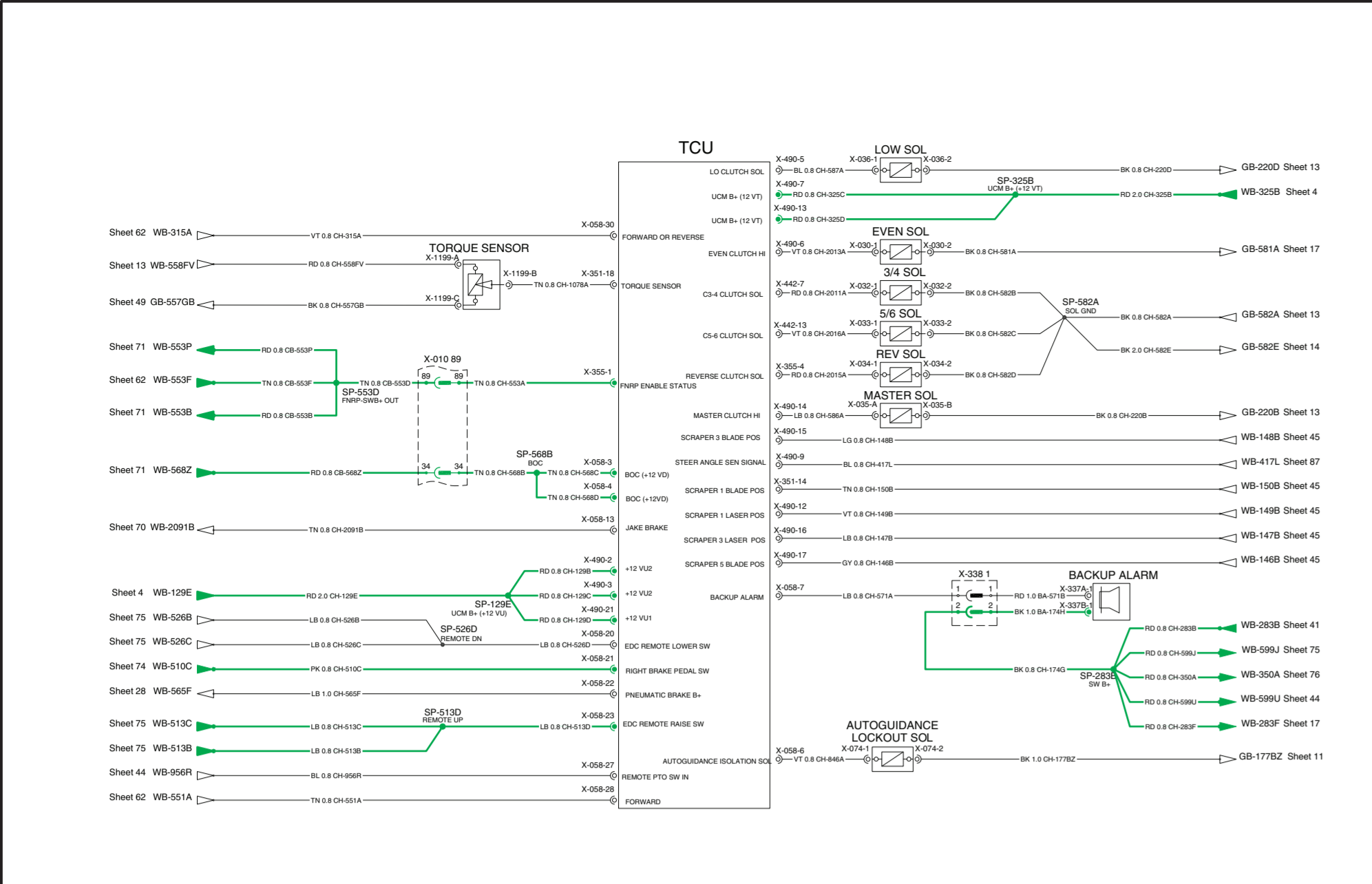


POWER SHIFT TRANSMISSION CONTROL SYSTEM

T8.275, T8.300, T8.330, T8.360 AND T8.390 TRACTOR SERIES ELECTRICAL SCHEMATIC RAC 84414790

LEGEND

- INDICATES CONSTANT POWER █
- INDICATES POWER WHEN KEY SWITCH IS ON █
- INDICATES POWER WHEN KEY SWITCH IS IN START POSITION █
- INDICATES 24 VOLT CIRCUIT █

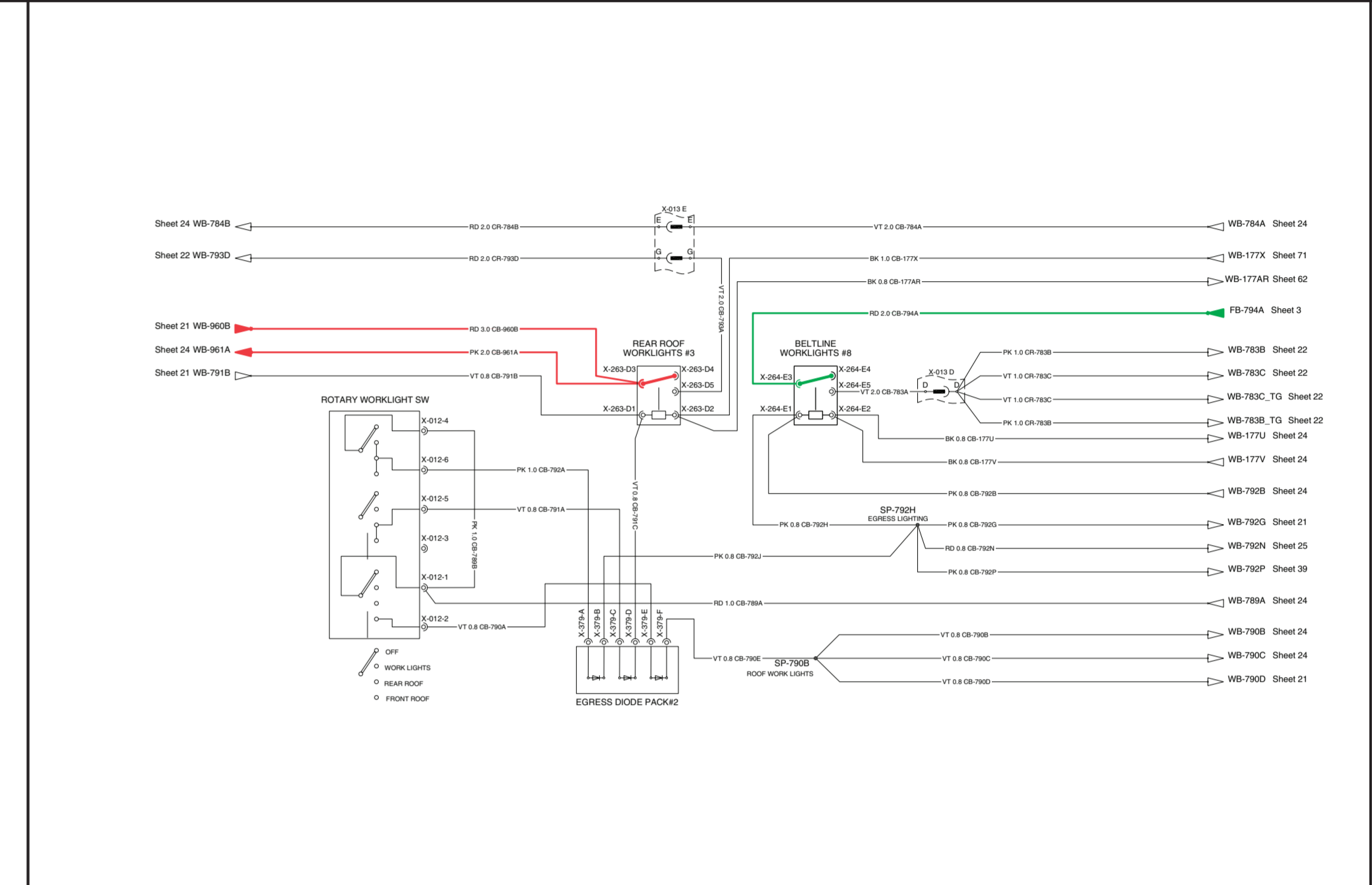
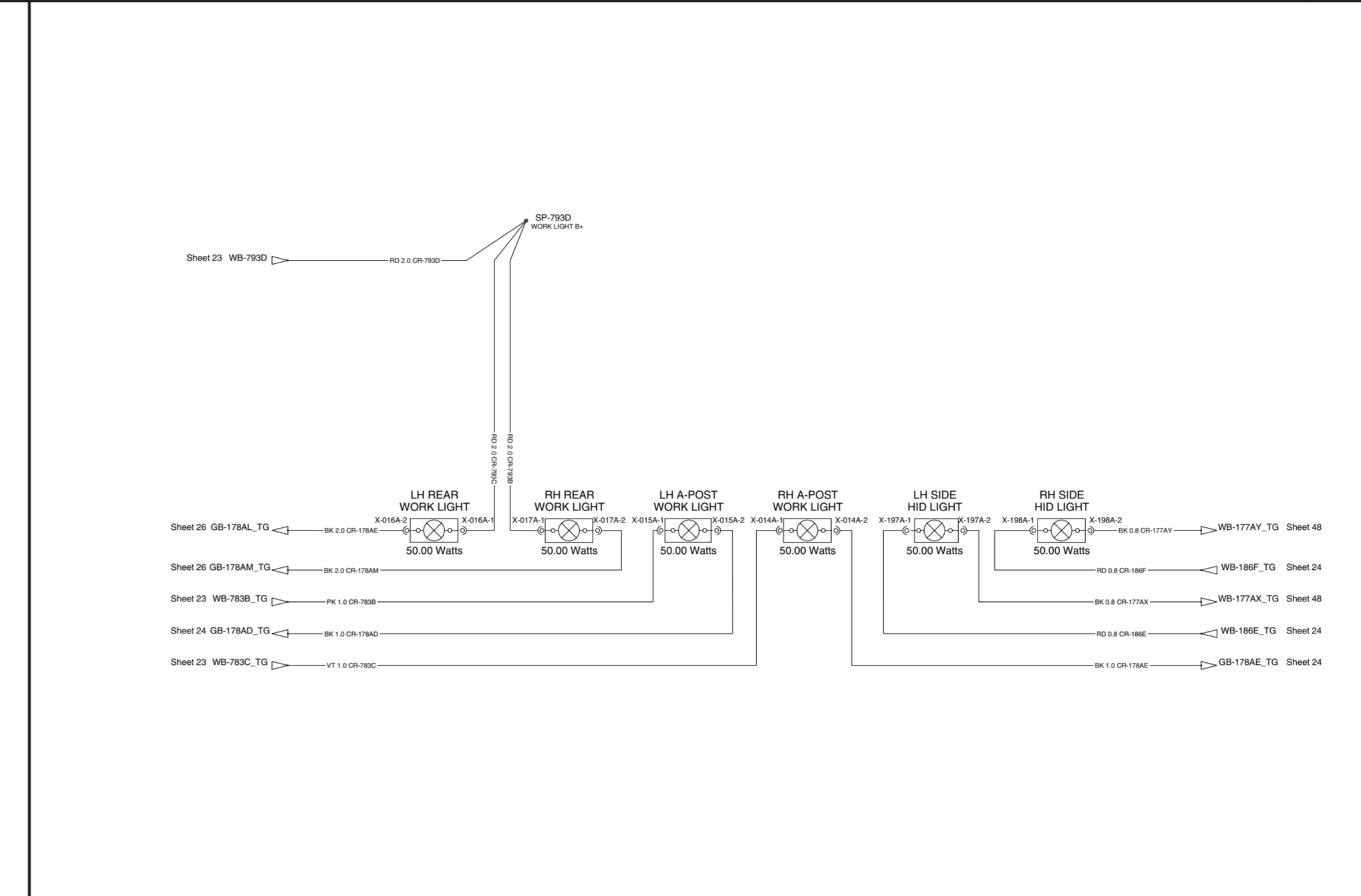
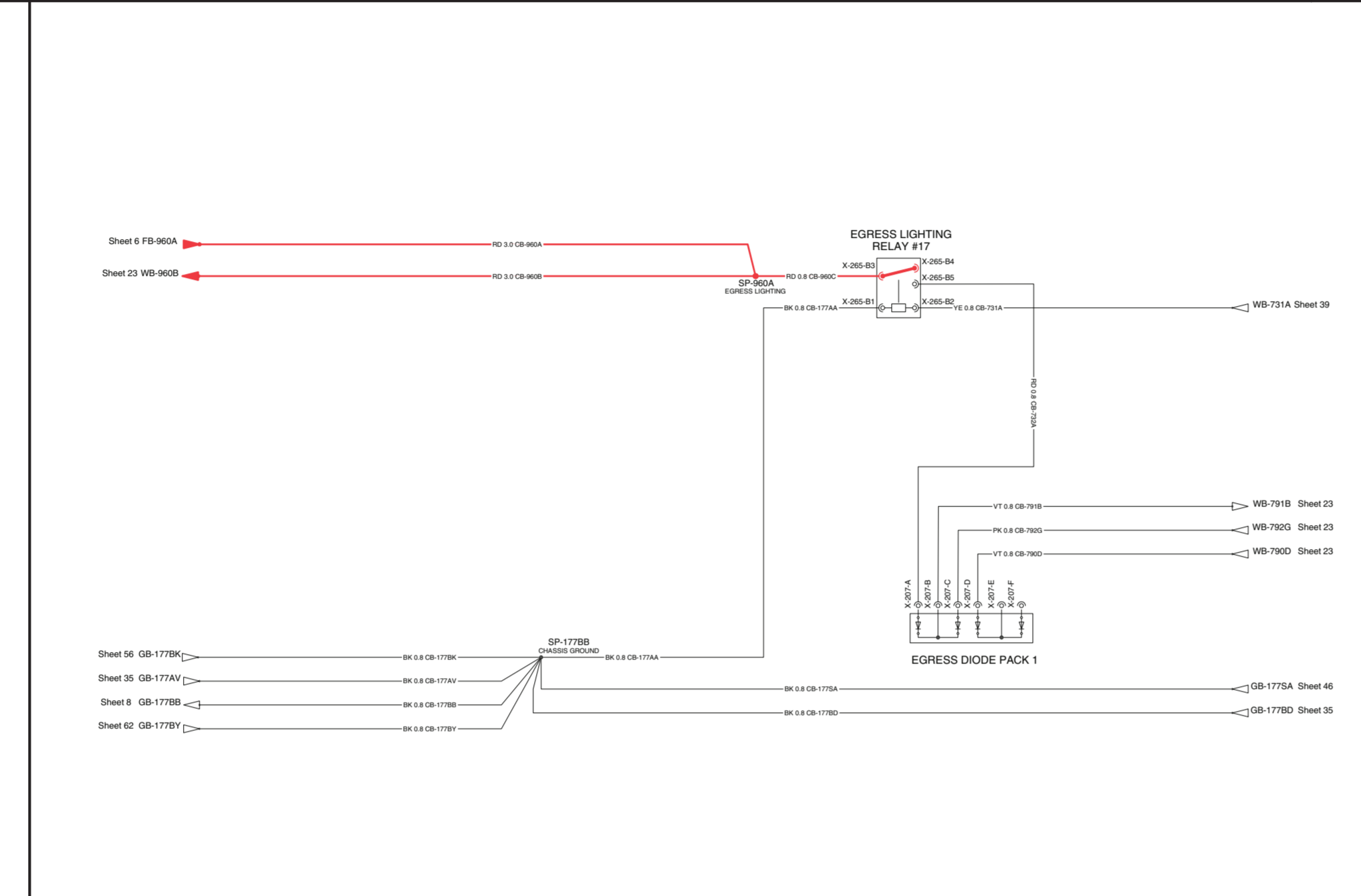
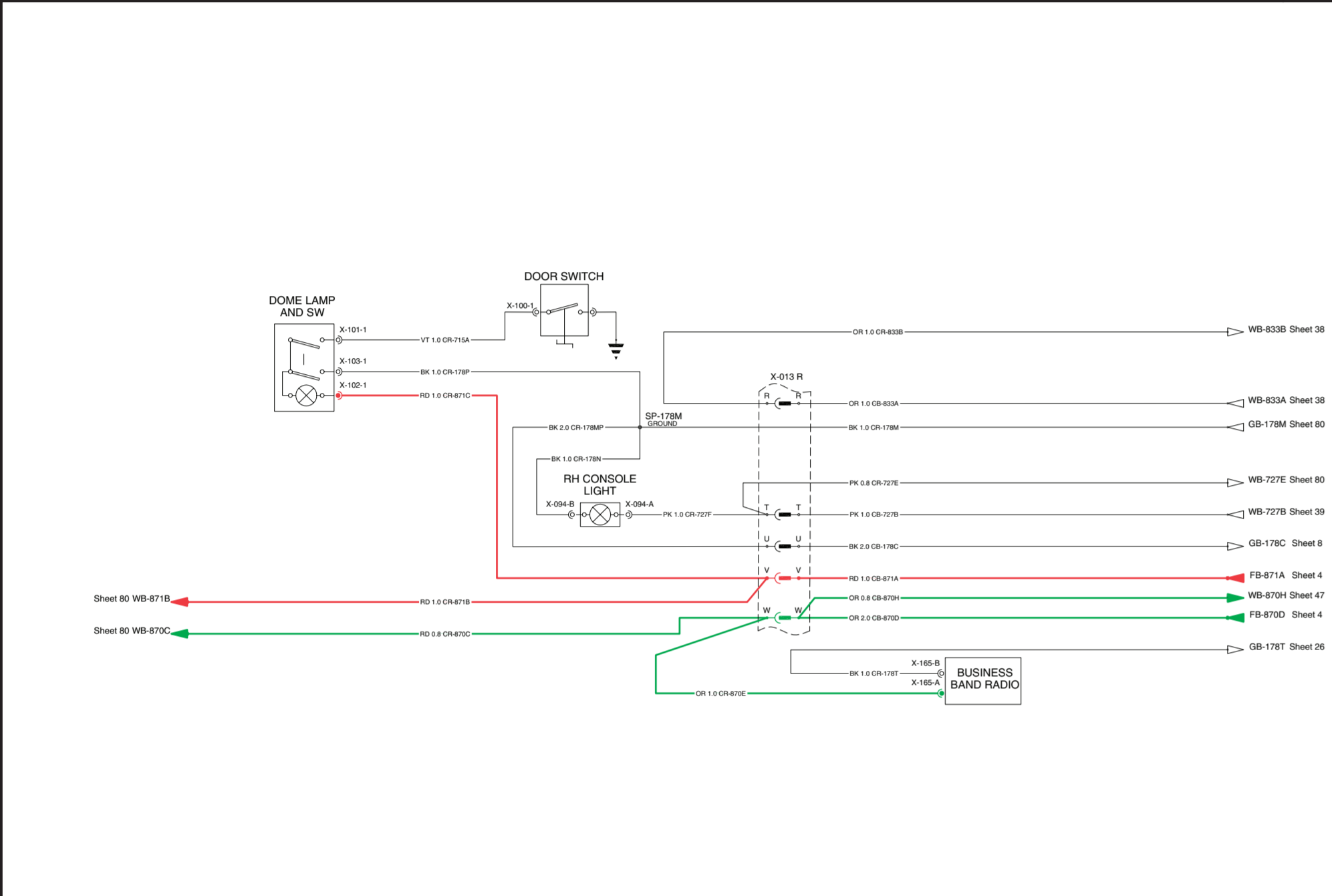


POWER SHIFT TRANSMISSION CONTROL SYSTEM 16

POWER SHIFT TRANSMISSION CONTROL SYSTEM 17

REMOTE VALVE 18

CHASSIS (PNEUMATIC BRAKE OPTION)/TRAILER BRAKE 19

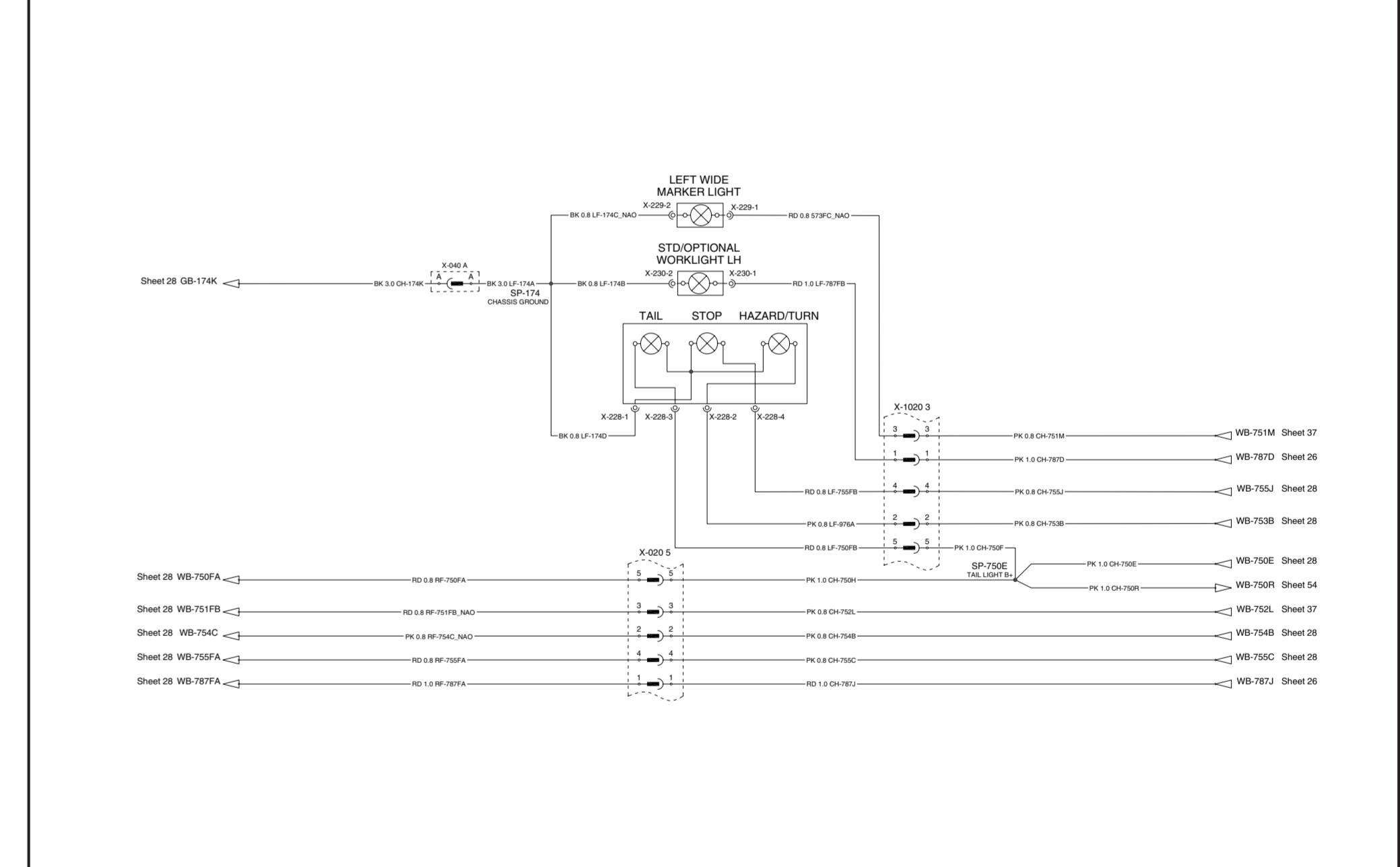
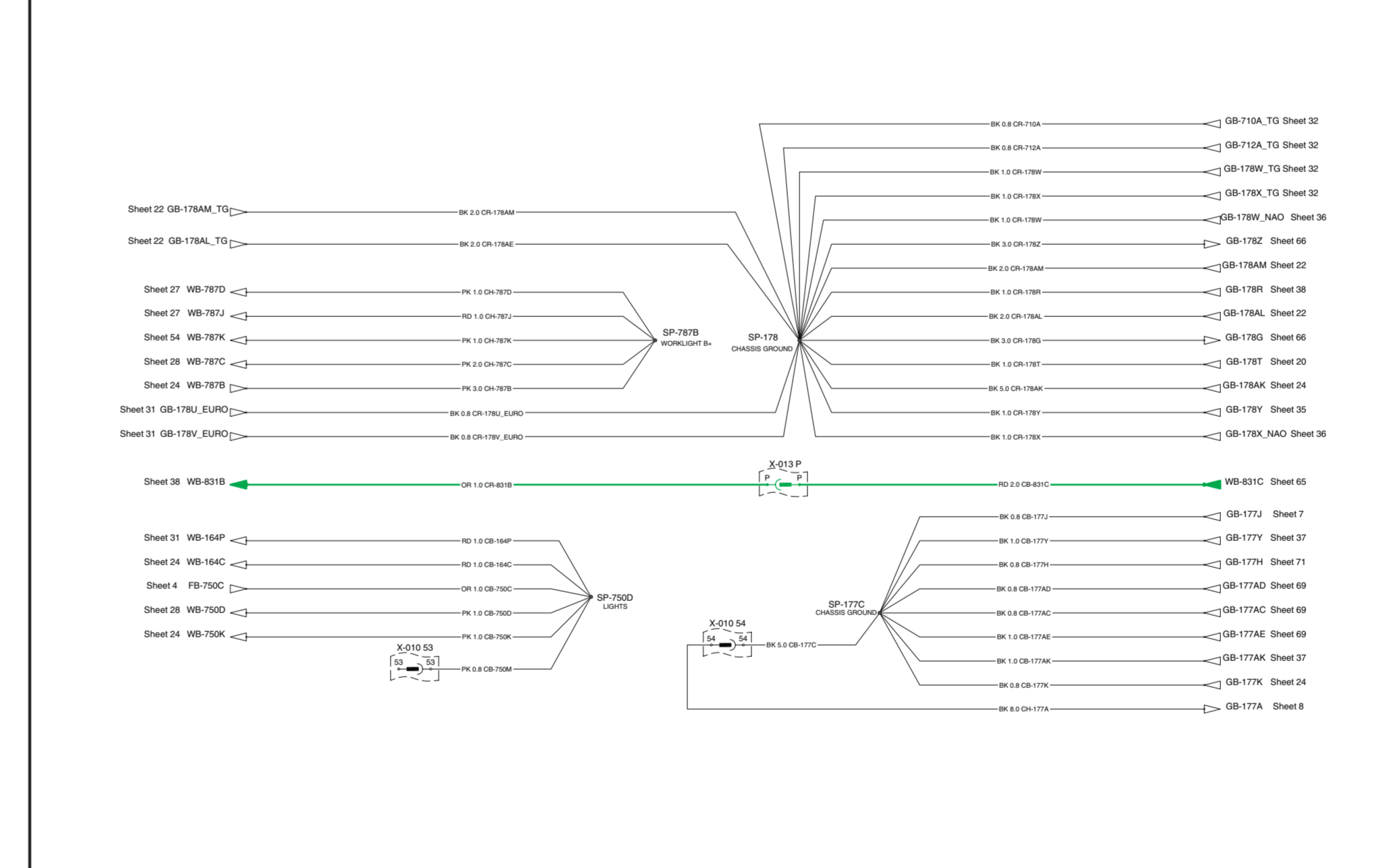
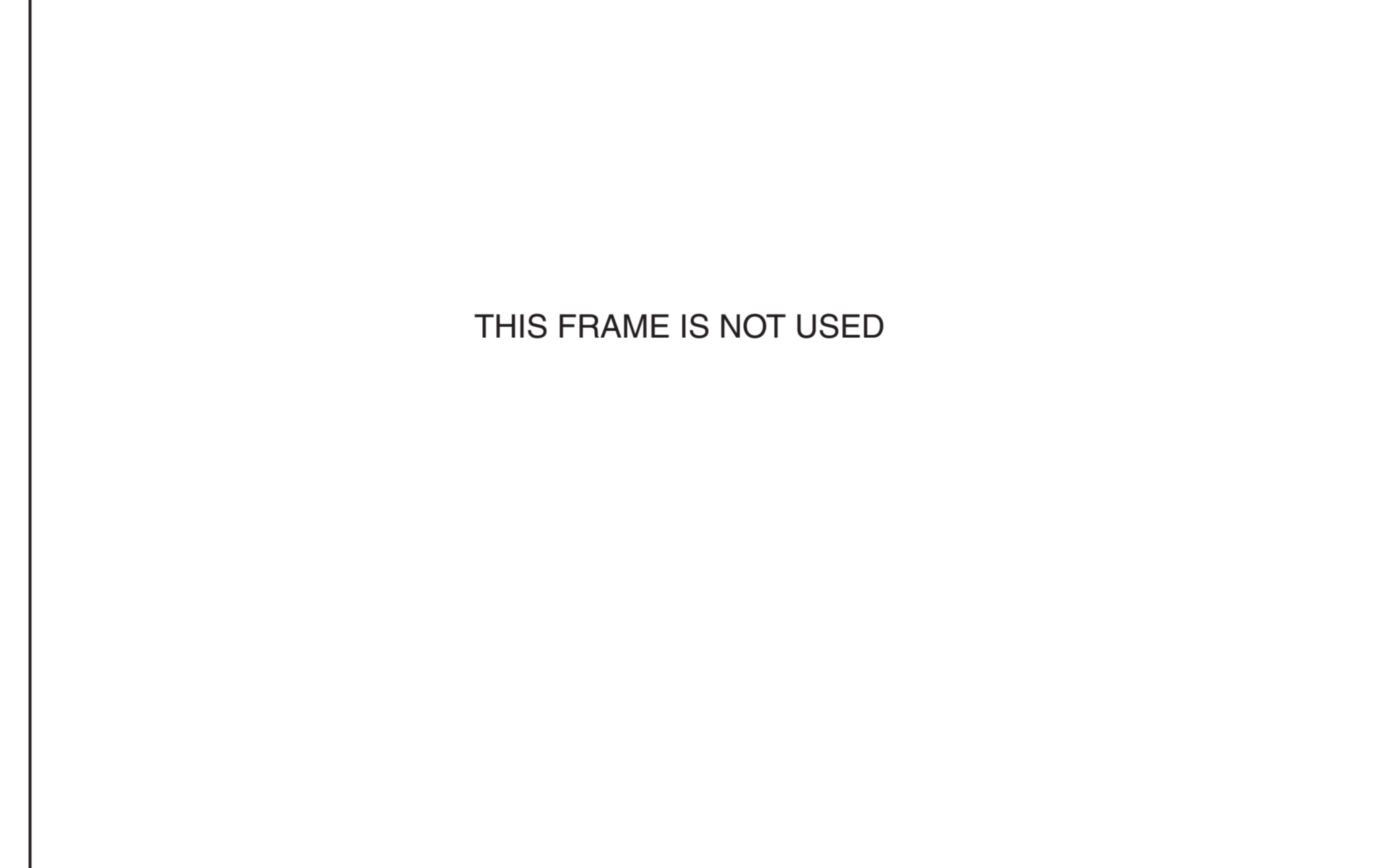
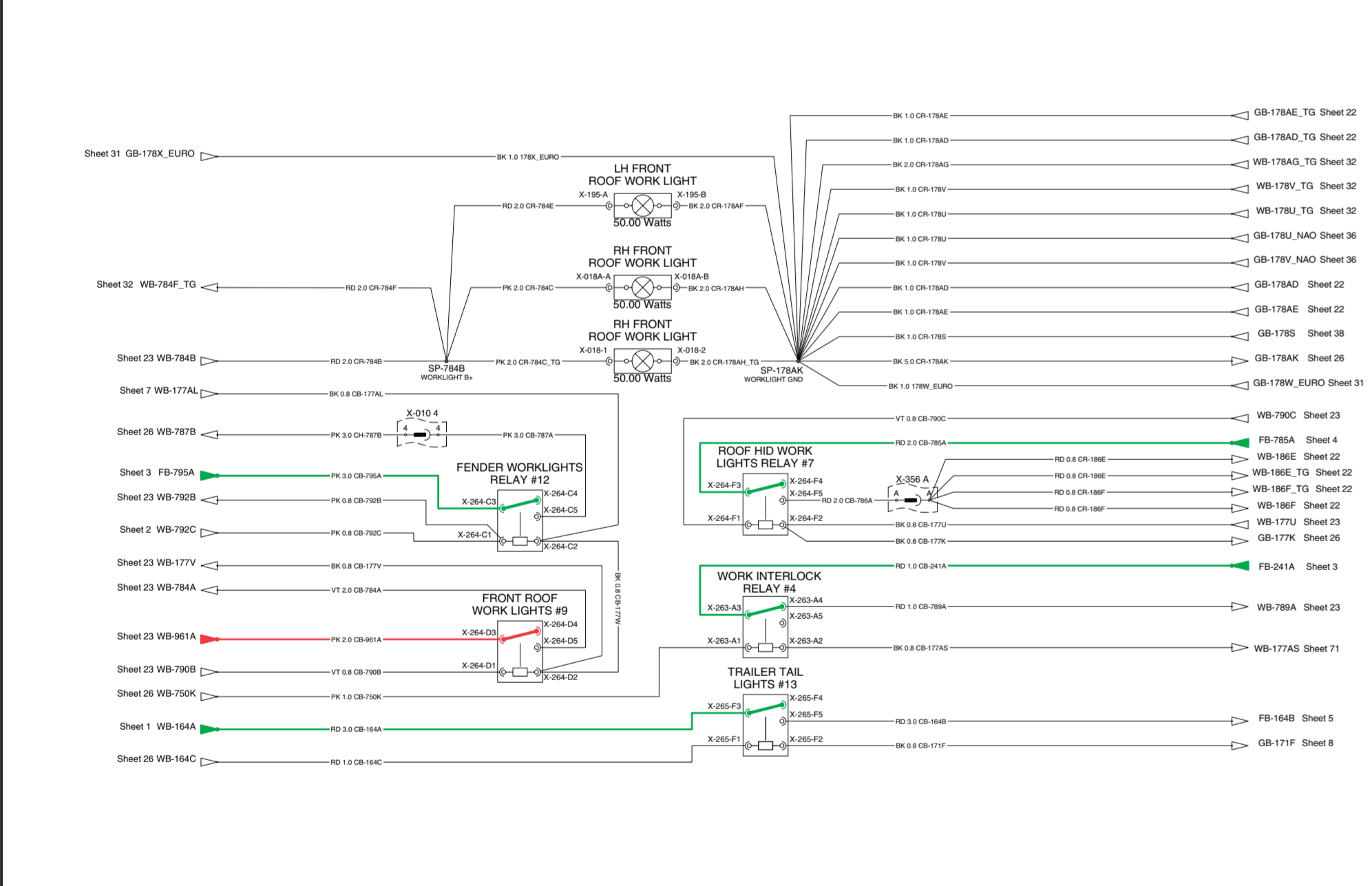


DOME/CONSOLE LIGHTS 20

EGRESS 21

CAB ROOF - LIGHTING 22

LIGHTING ROTARY SWITCH 23

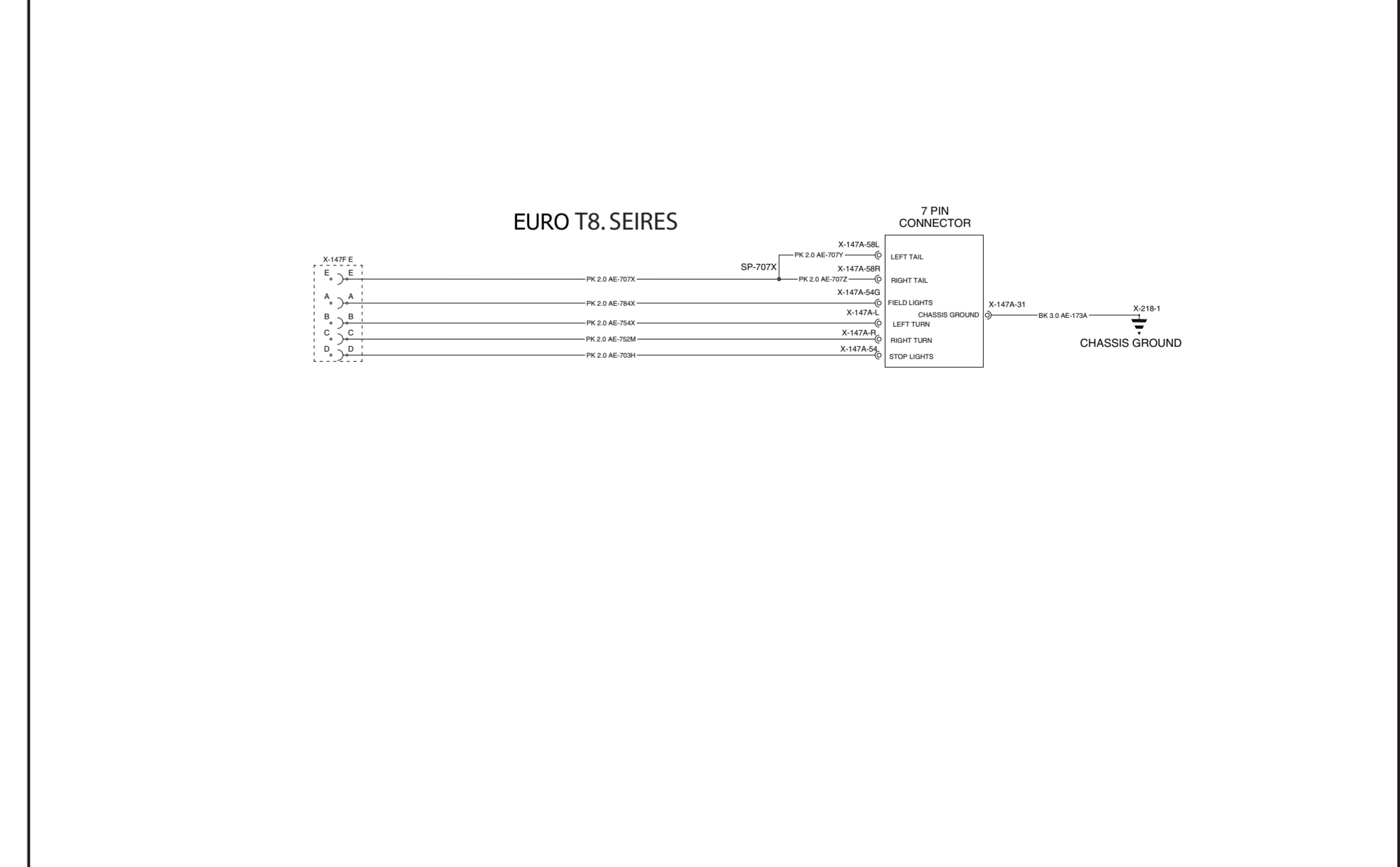
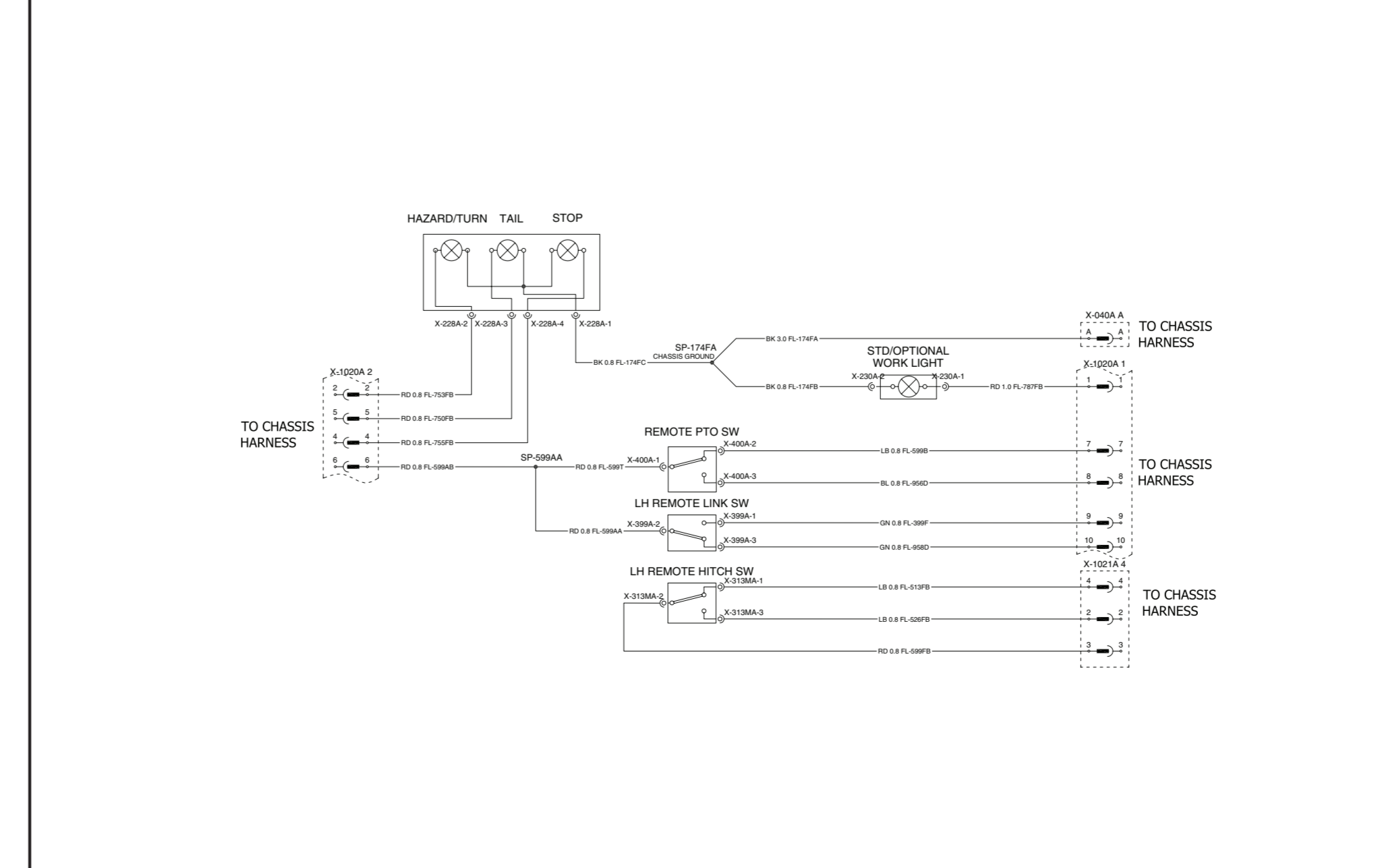
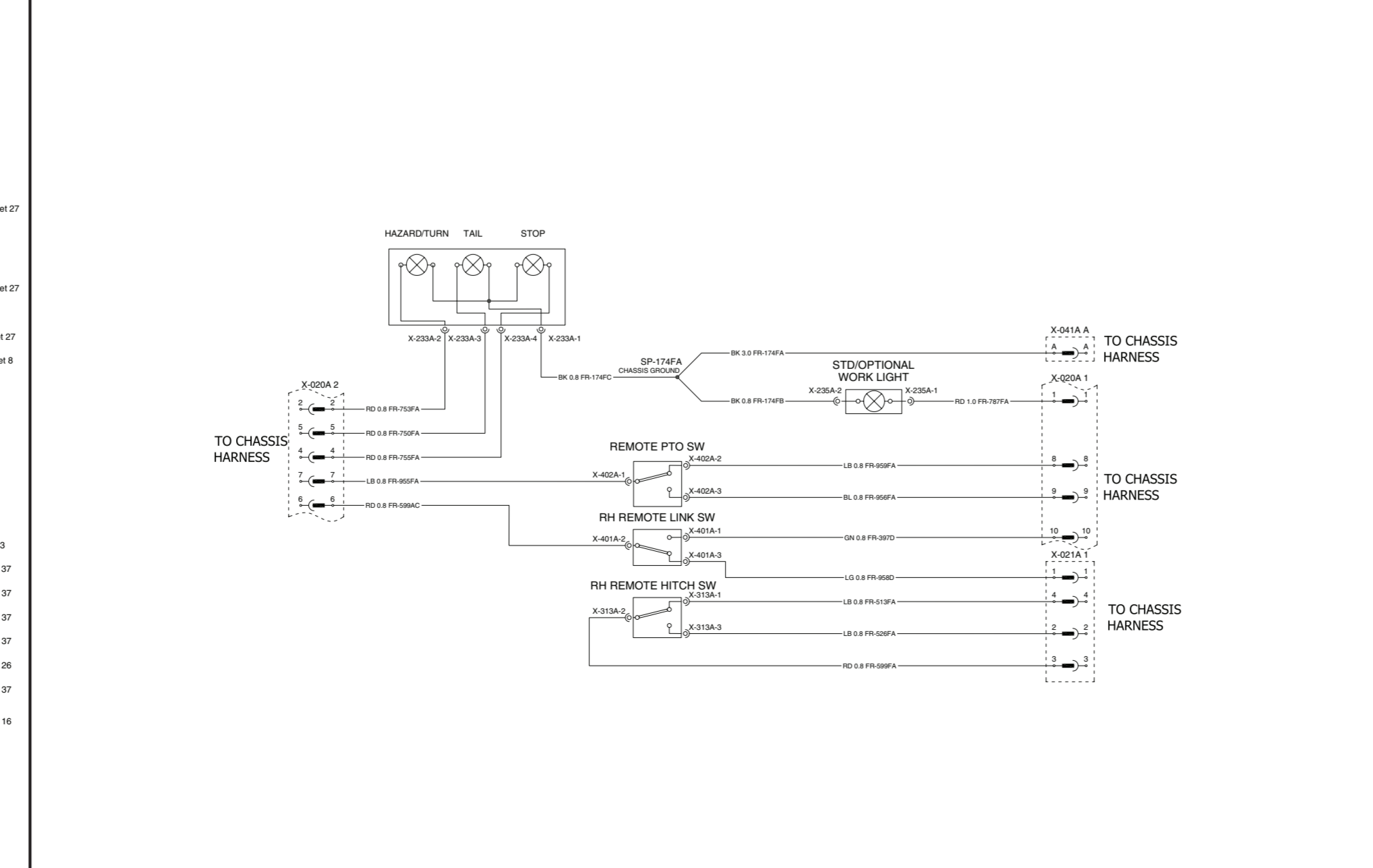
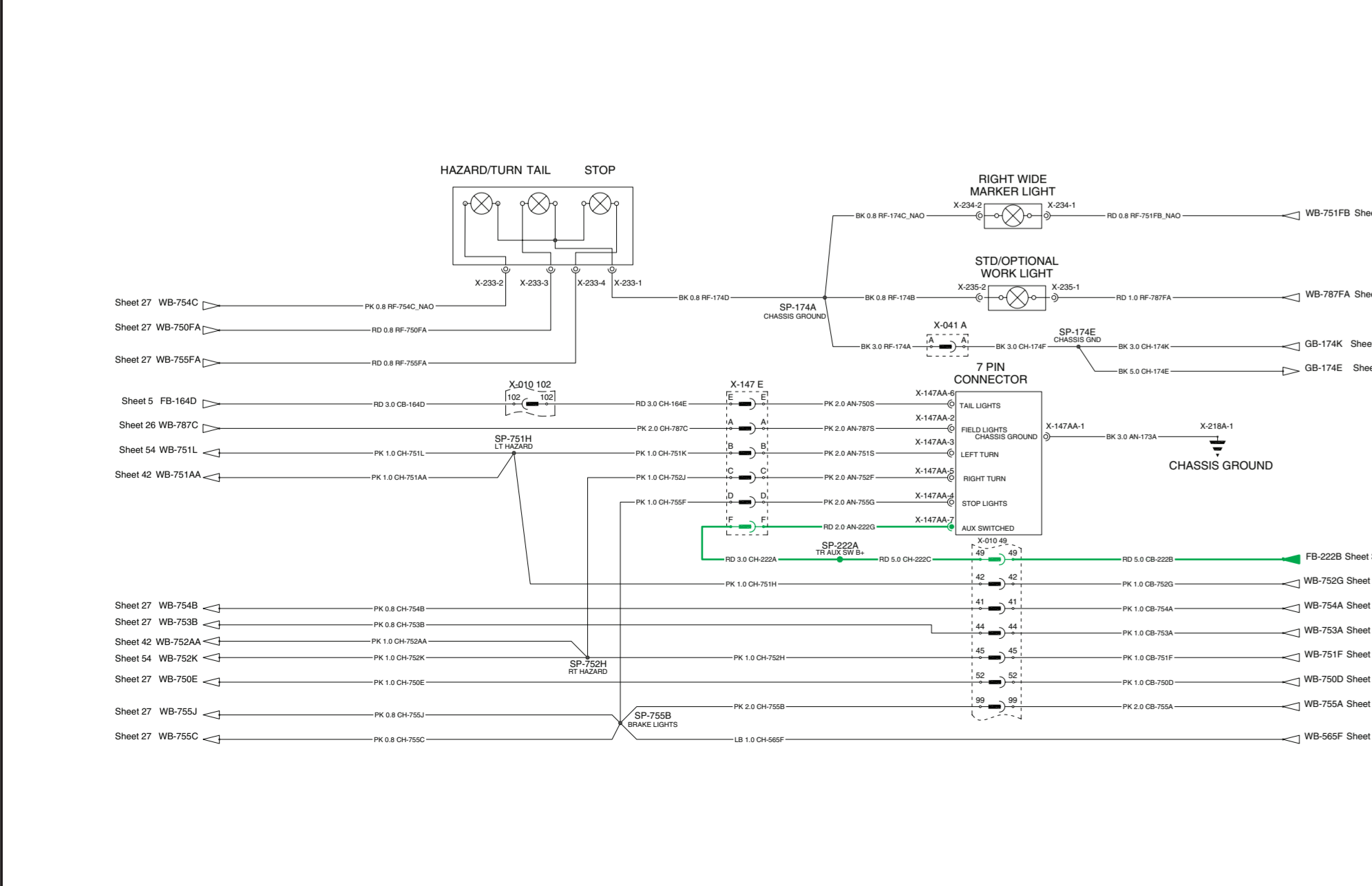


STANDARD WORKLAMPS - CAB FRONT ROOF 24

THIS FRAME IS NOT USED 25

ROOF WARNING LIGHTS 26

LEFT FENDER LIGHT (NAO) 27

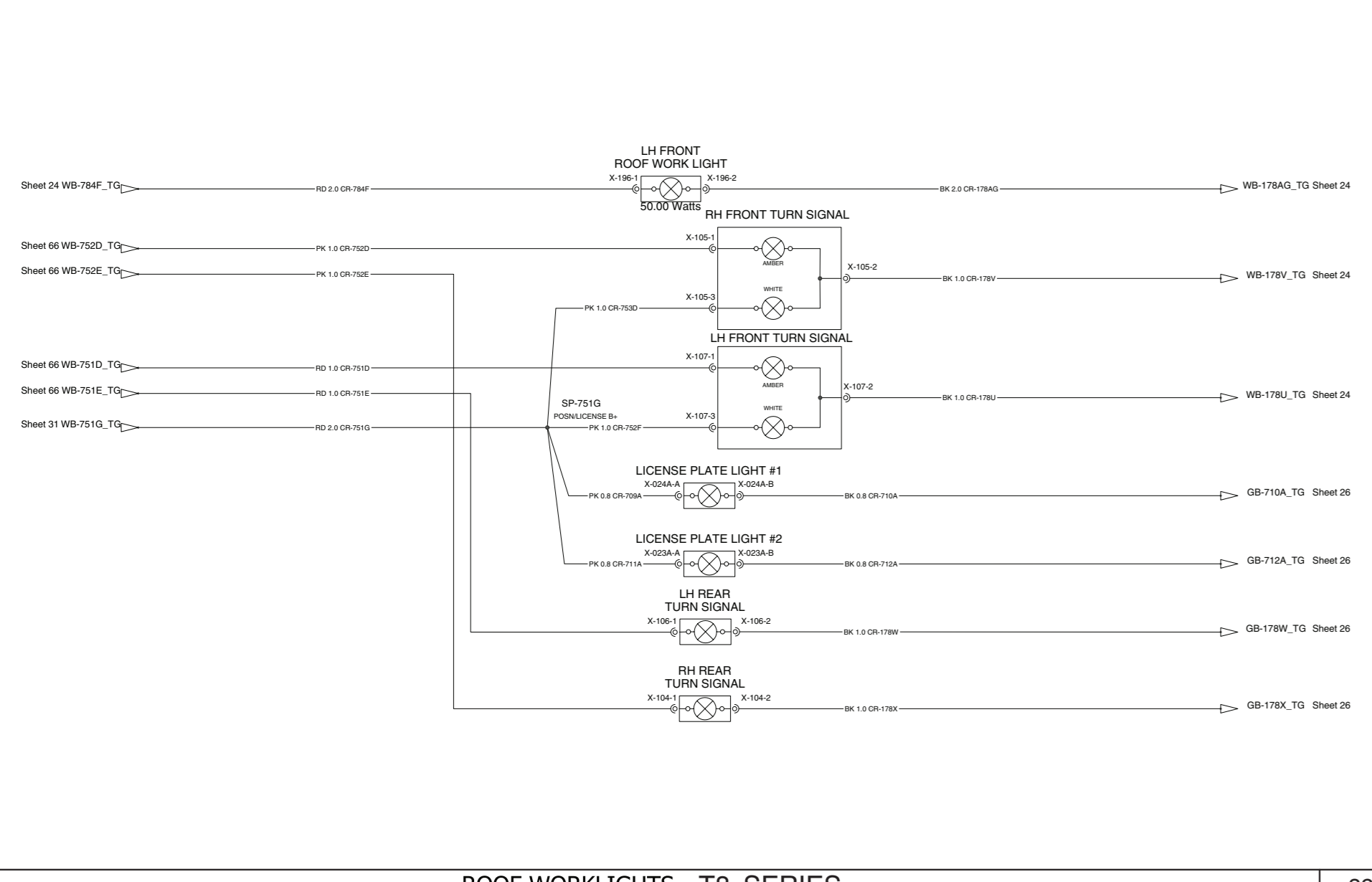


RIGHT FENDER LIGHT (NAO) 28

RIGHT FENDER LIGHT (EURO) 29

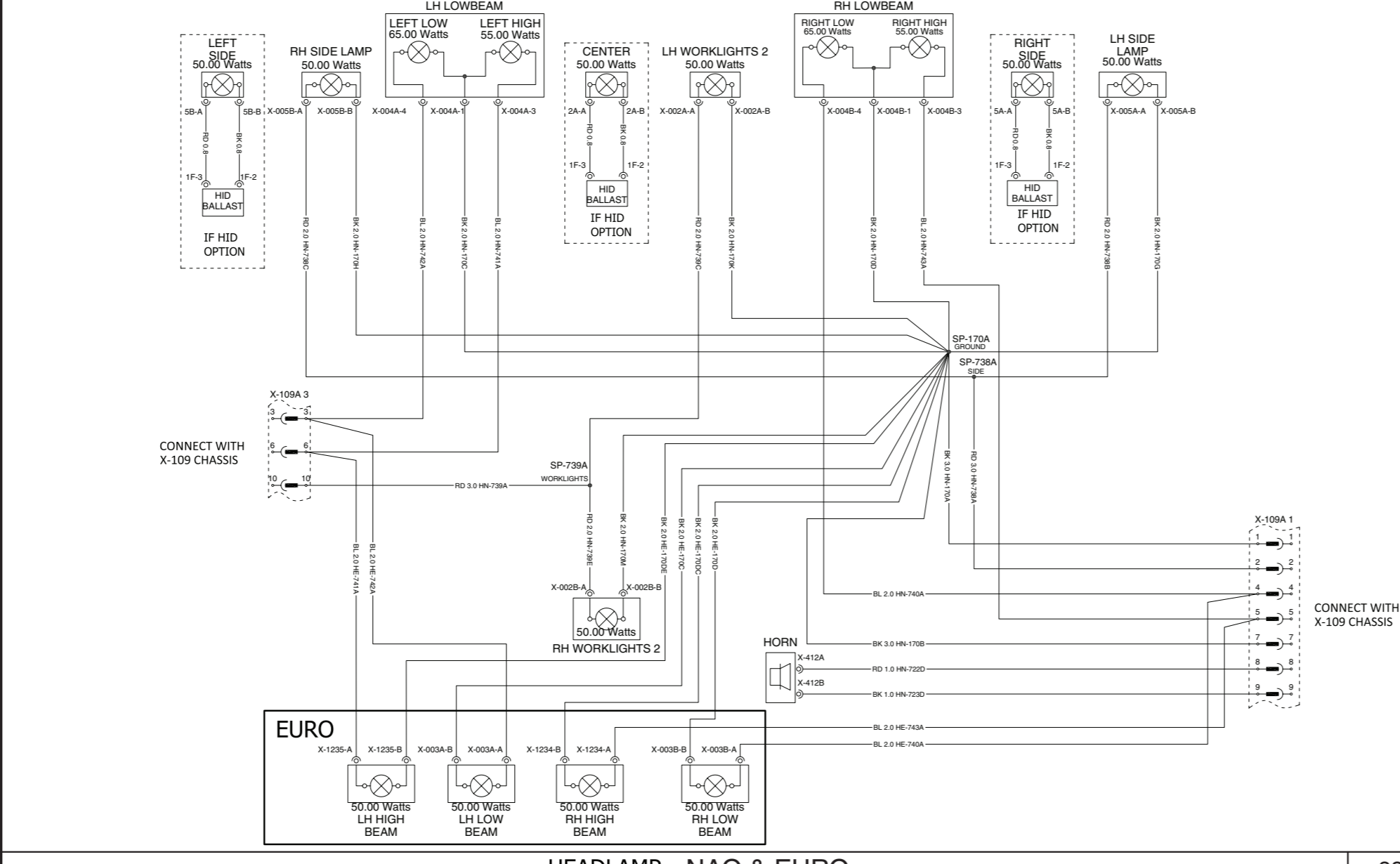
LEFT FENDER LIGHT (EURO) 30

EURO - T8.SERIES 31



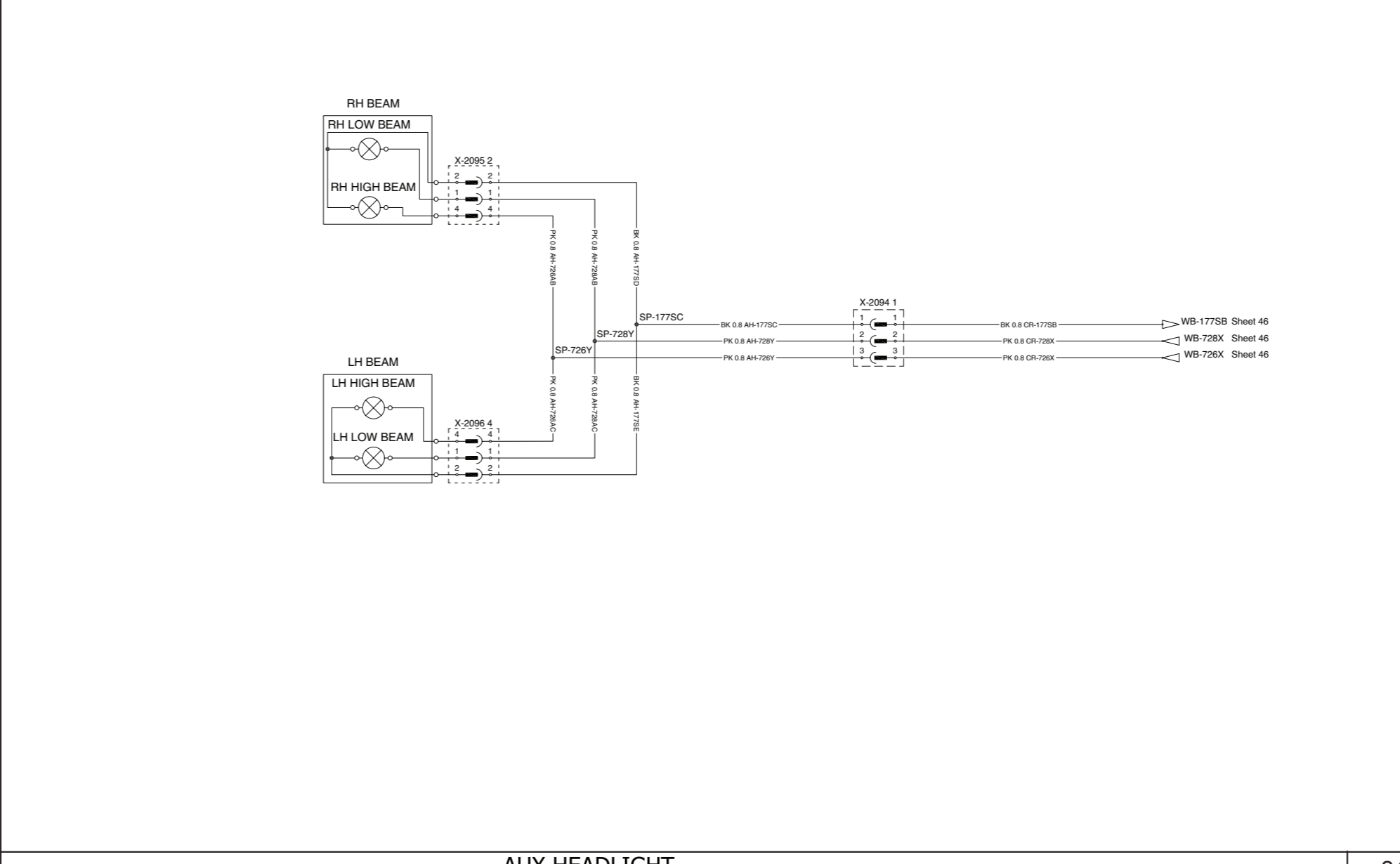
ROOF WORKLIGHTS - T8. SERIES

32



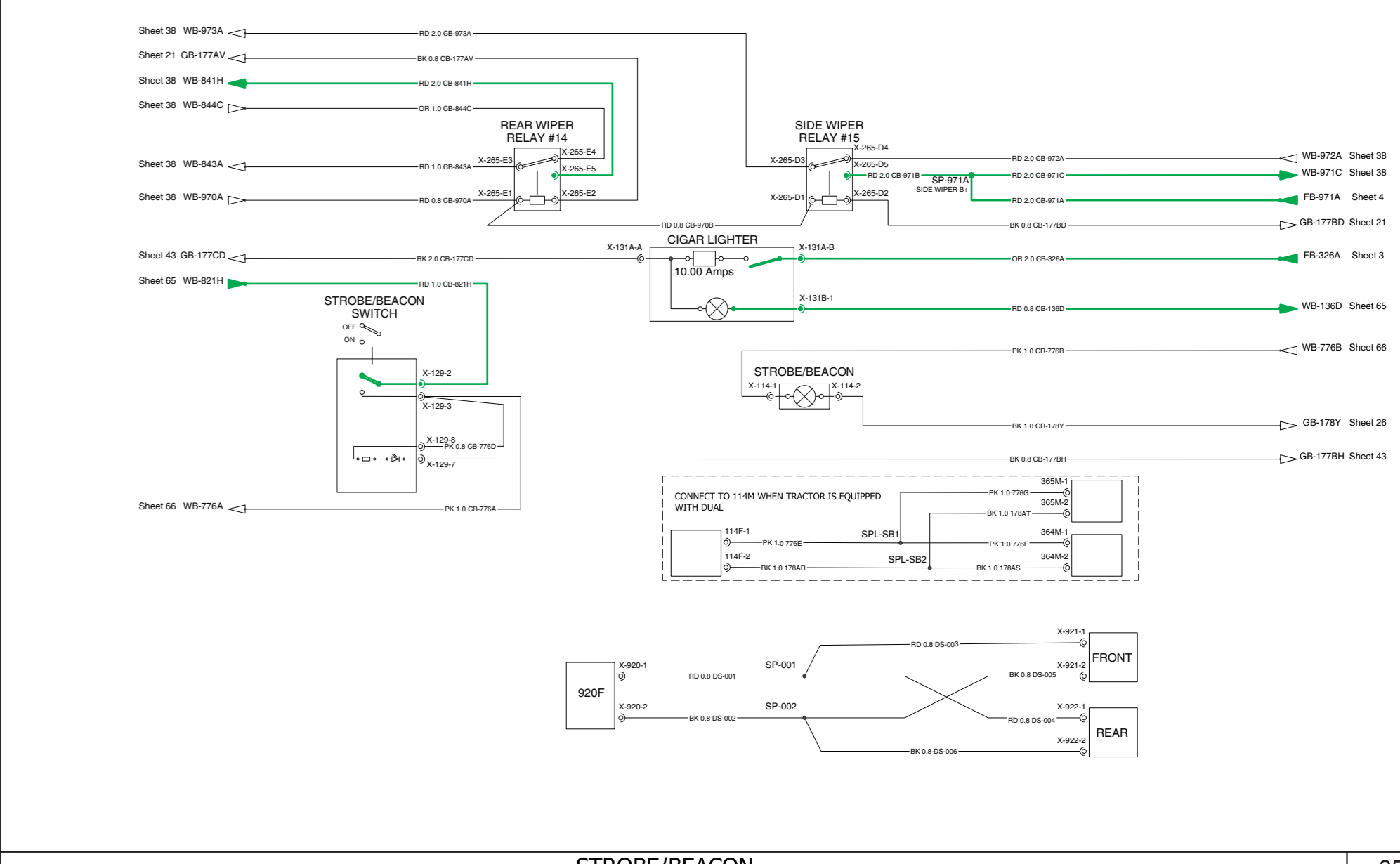
HEADLAMP - NAO & EURO

33



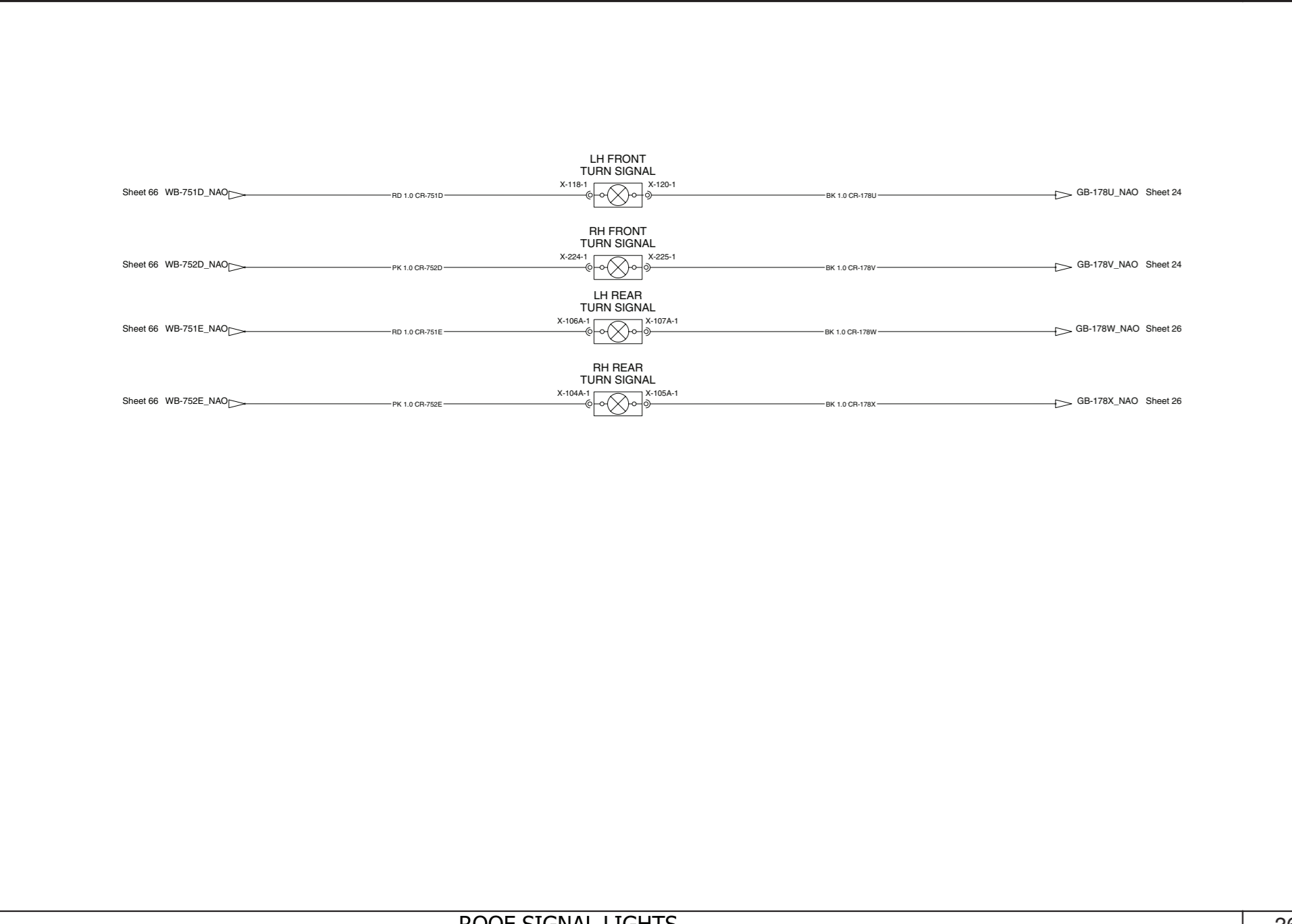
AUX HEADLIGHT

34



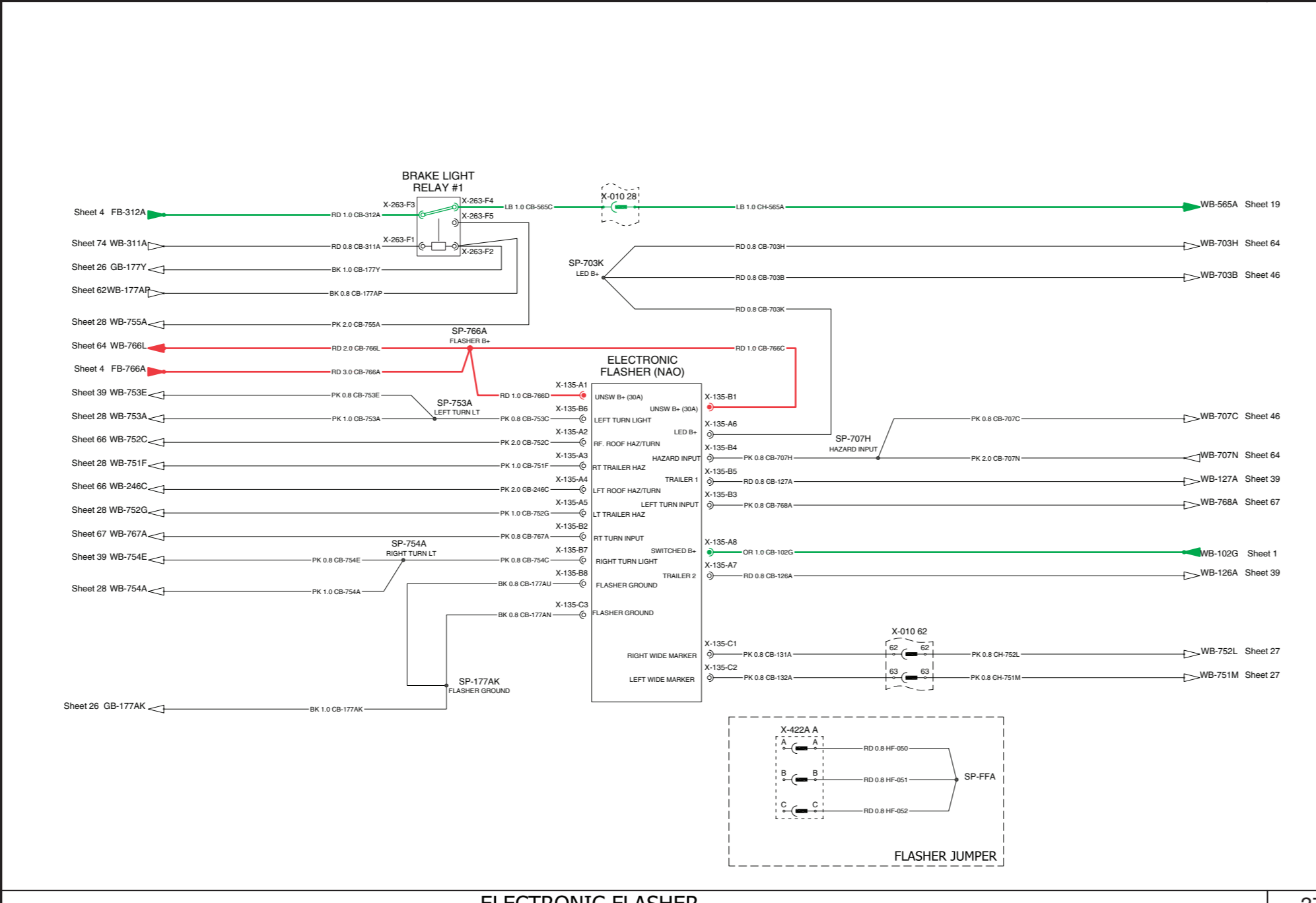
STROBE/BEACON

35



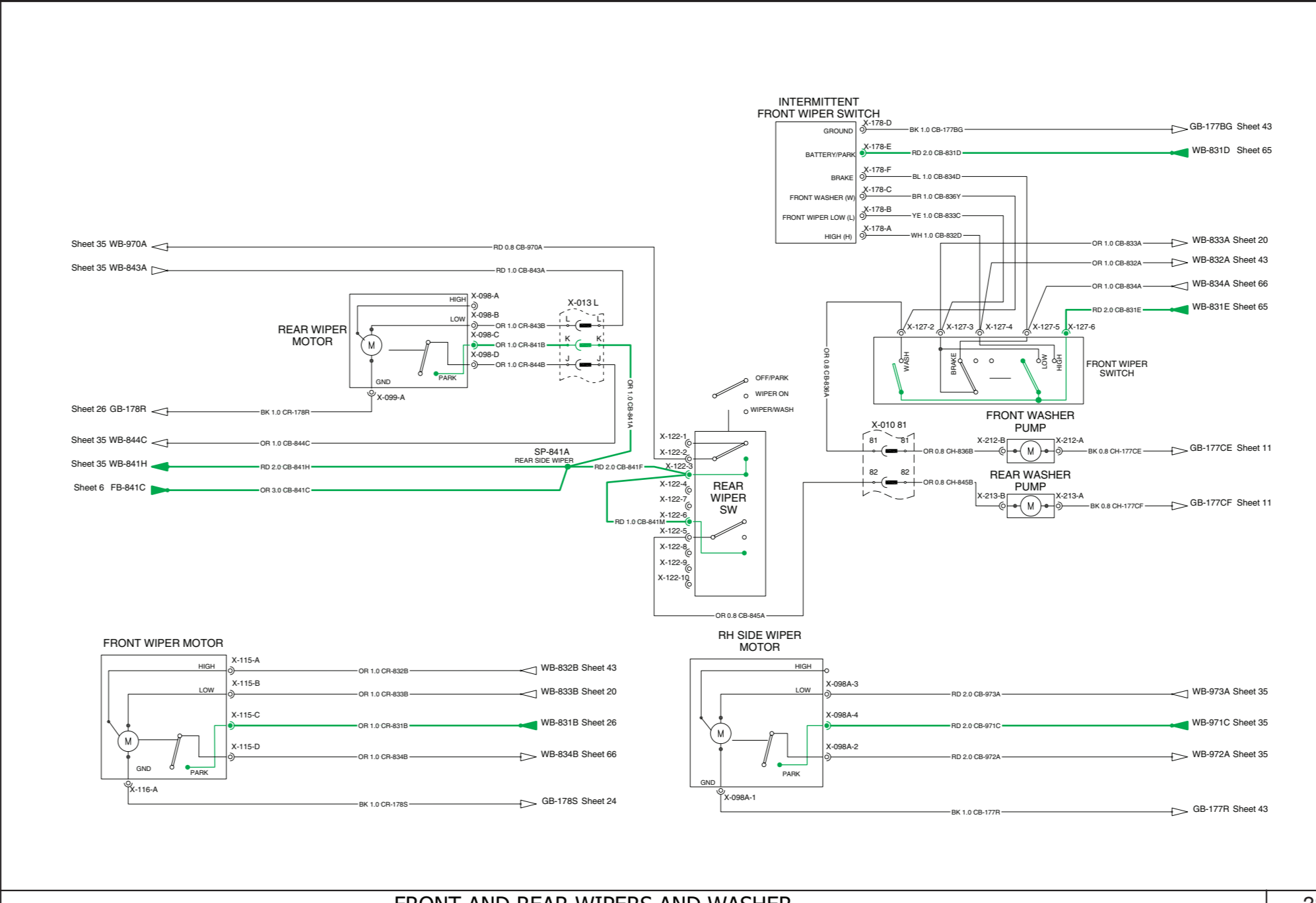
ROOF SIGNAL LIGHTS

36



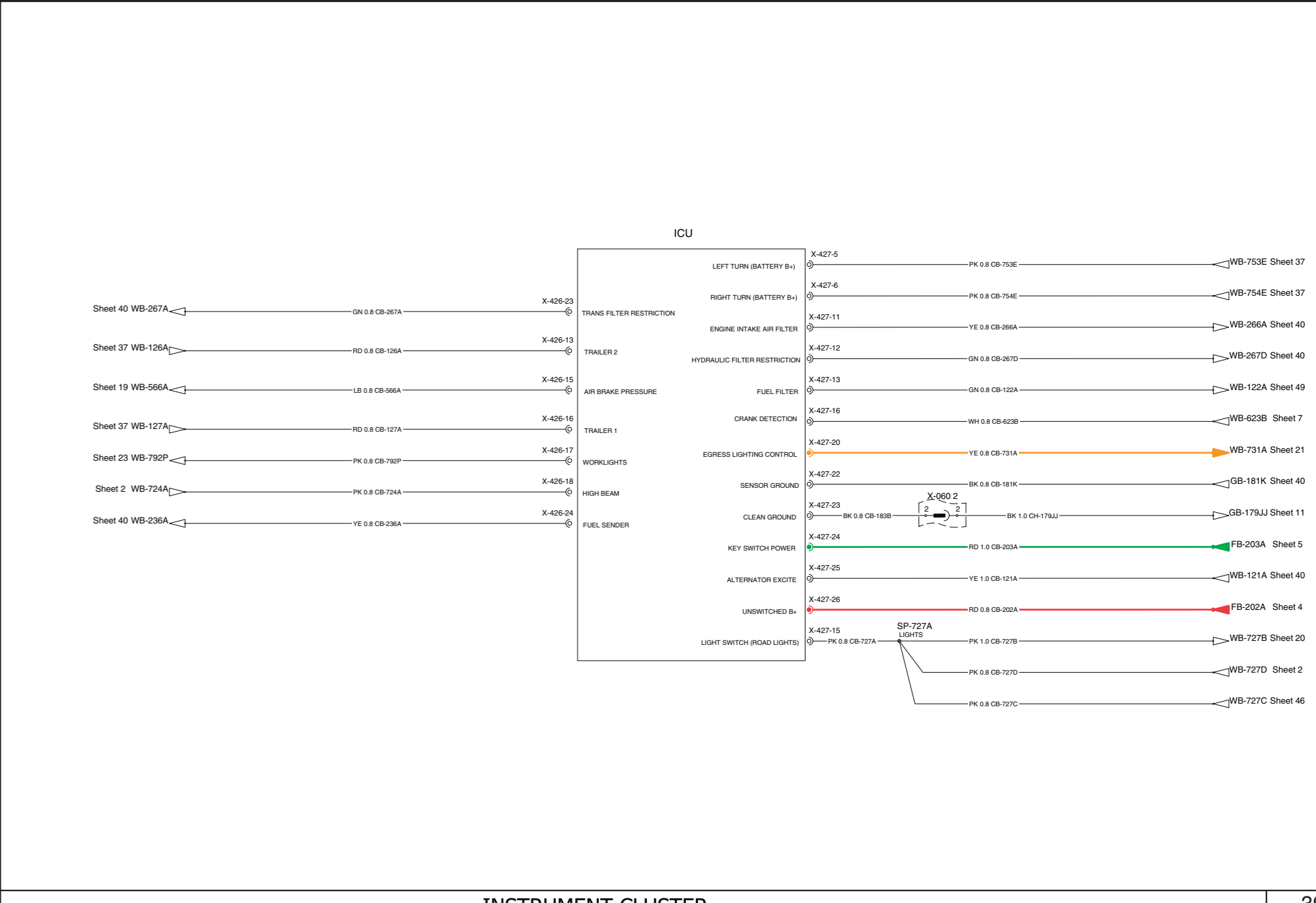
ELECTRONIC FLASHER

37



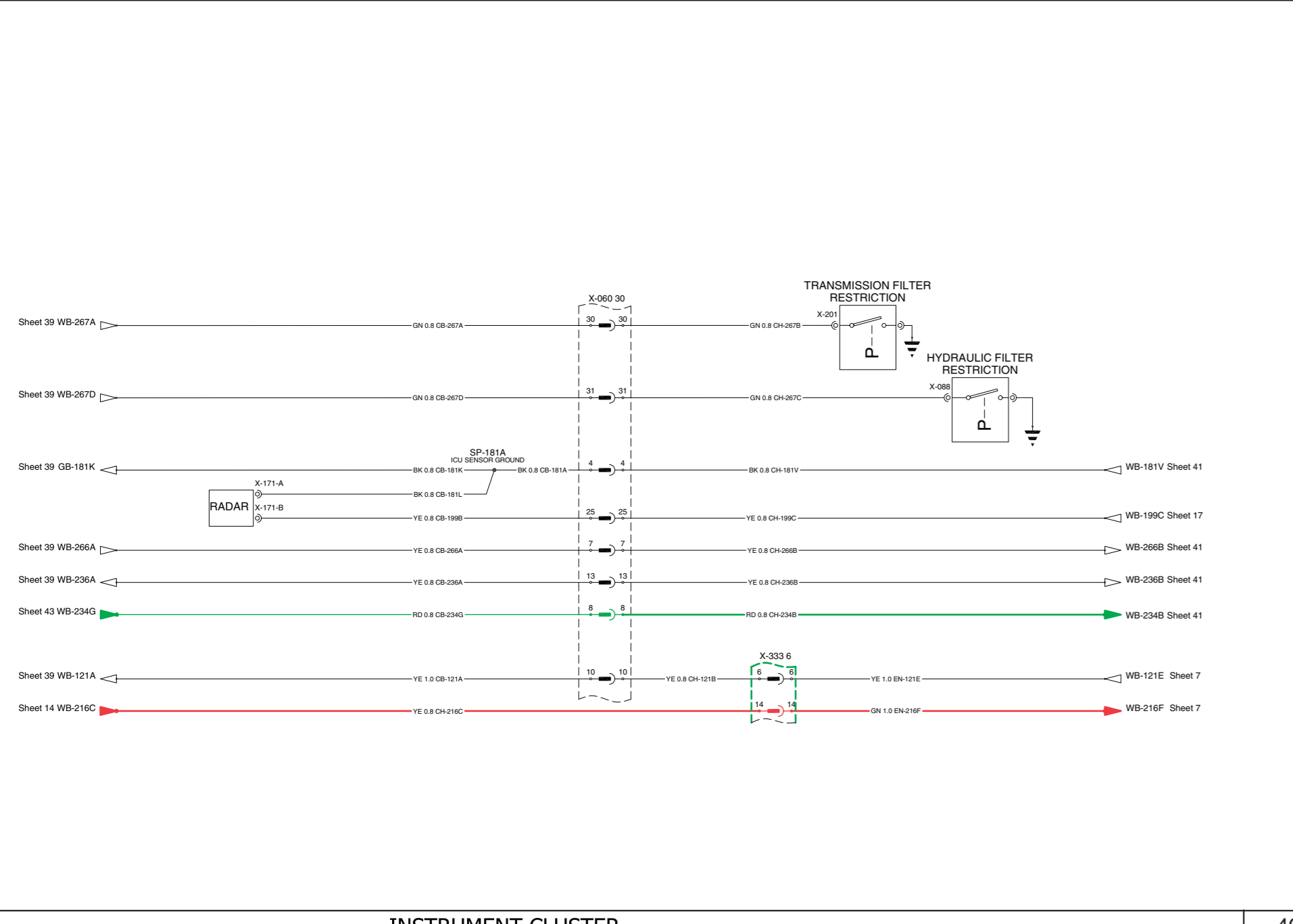
FRONT AND REAR WIPERS AND WASHER

38



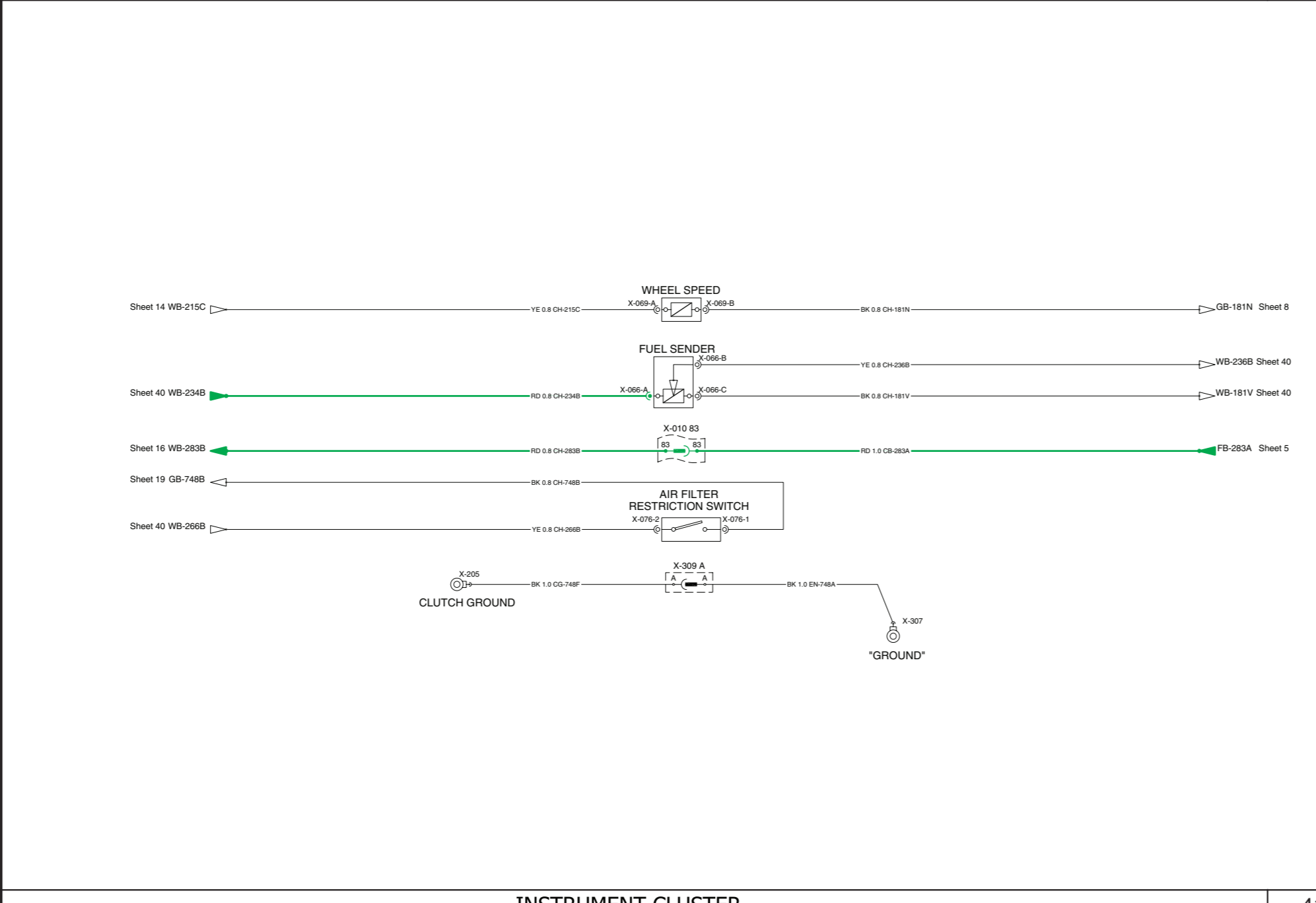
INSTRUMENT CLUSTER

39



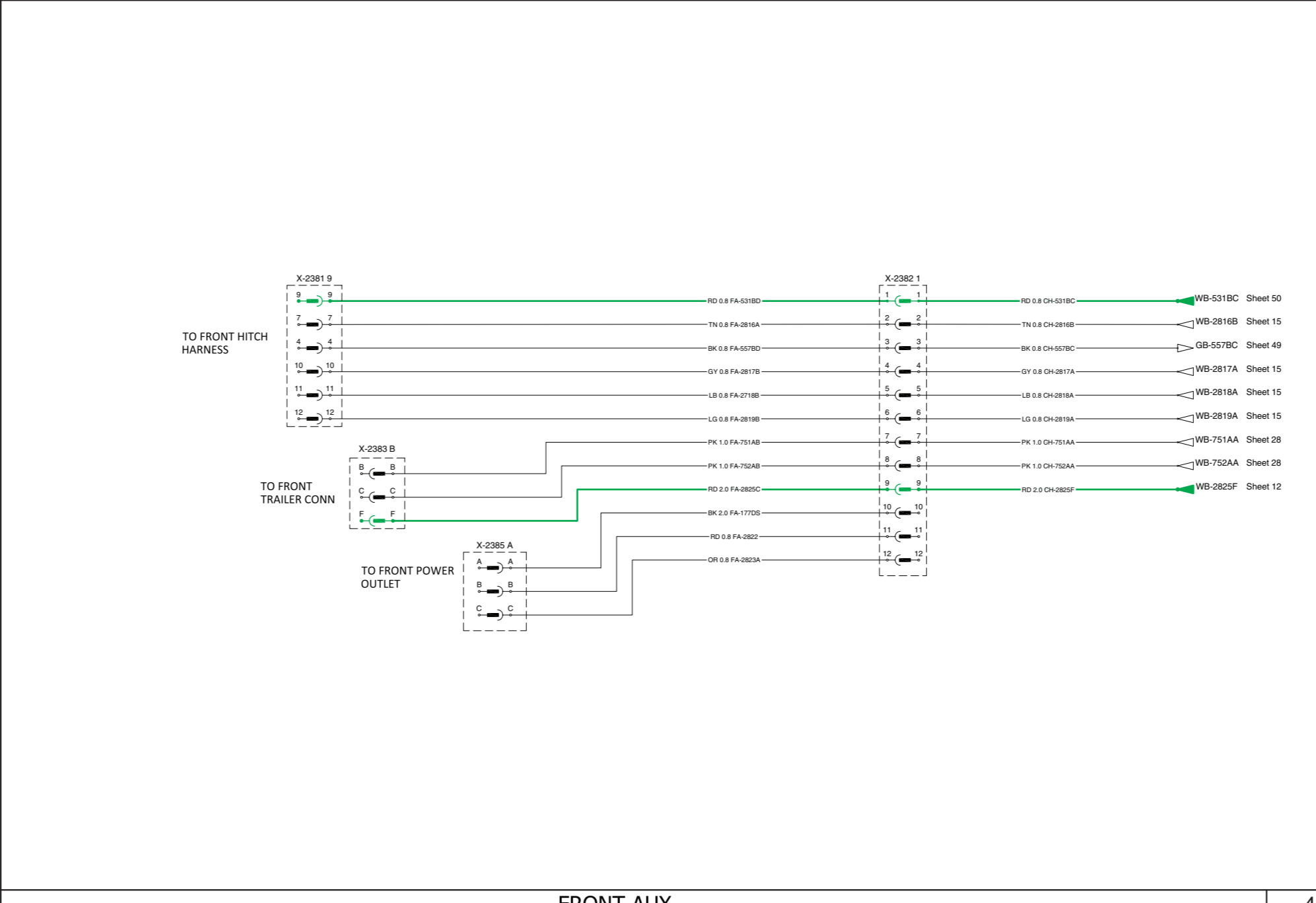
INSTRUMENT CLUSTER

40



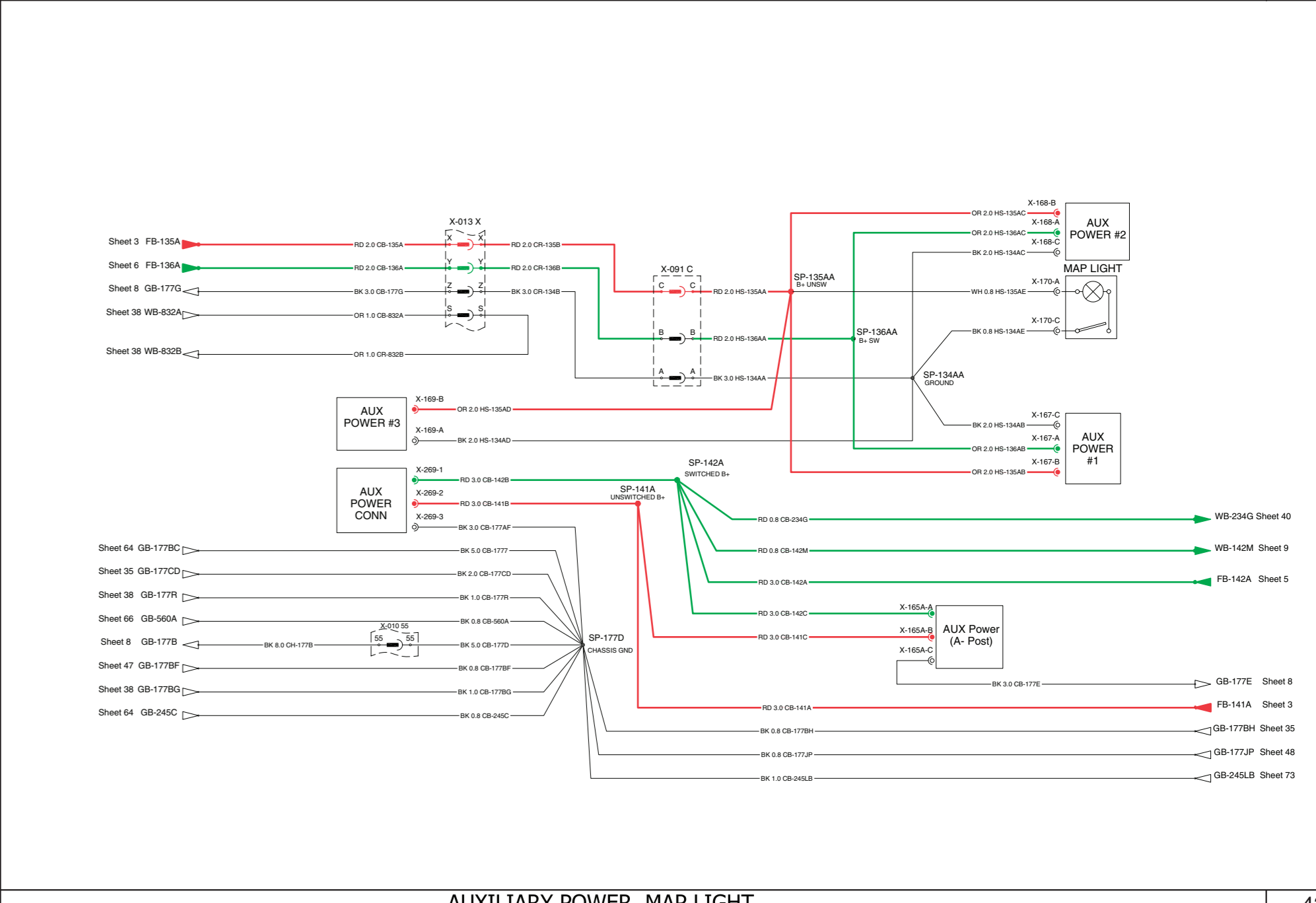
INSTRUMENT CLUSTER

41



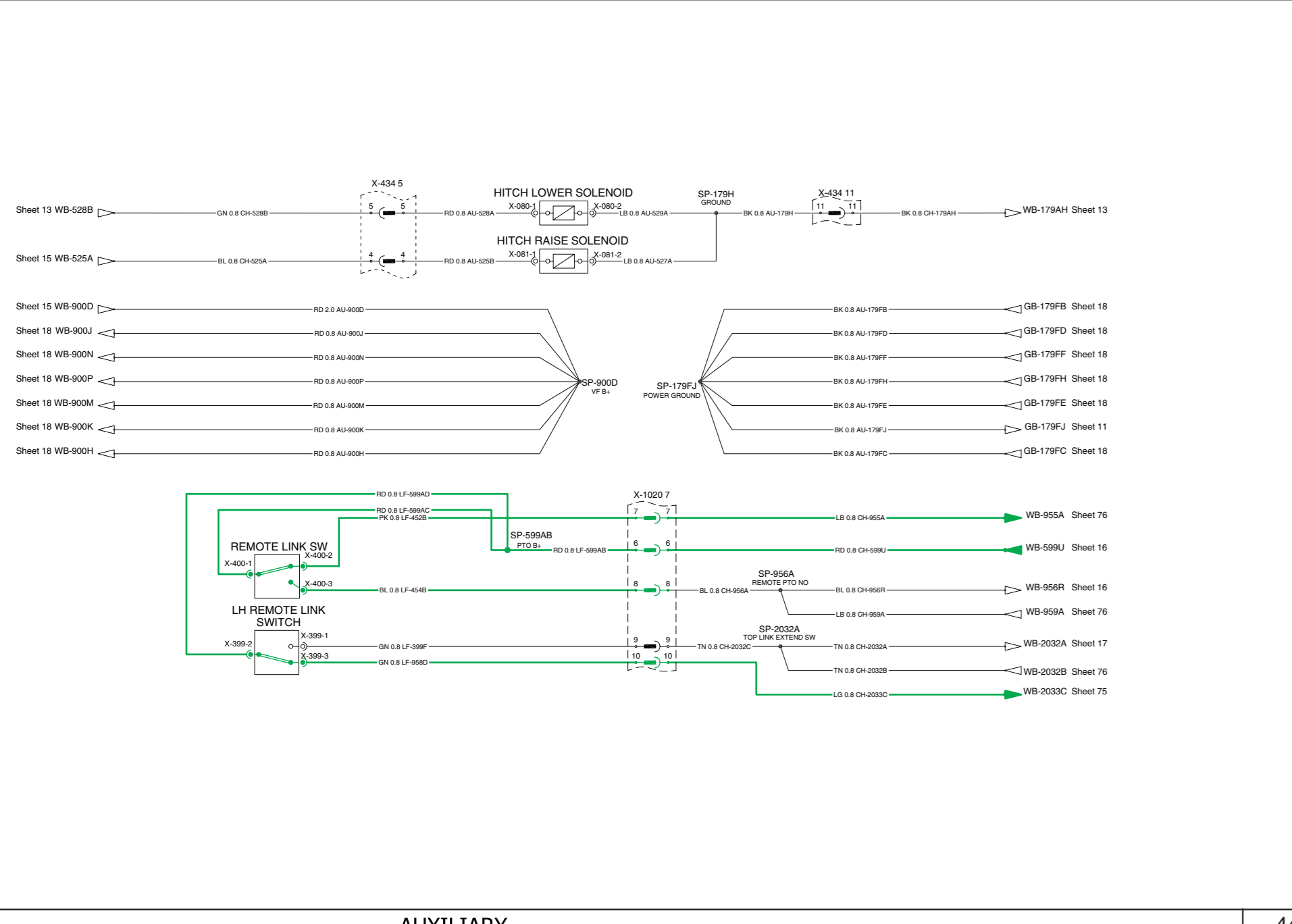
FRONT AUX

42



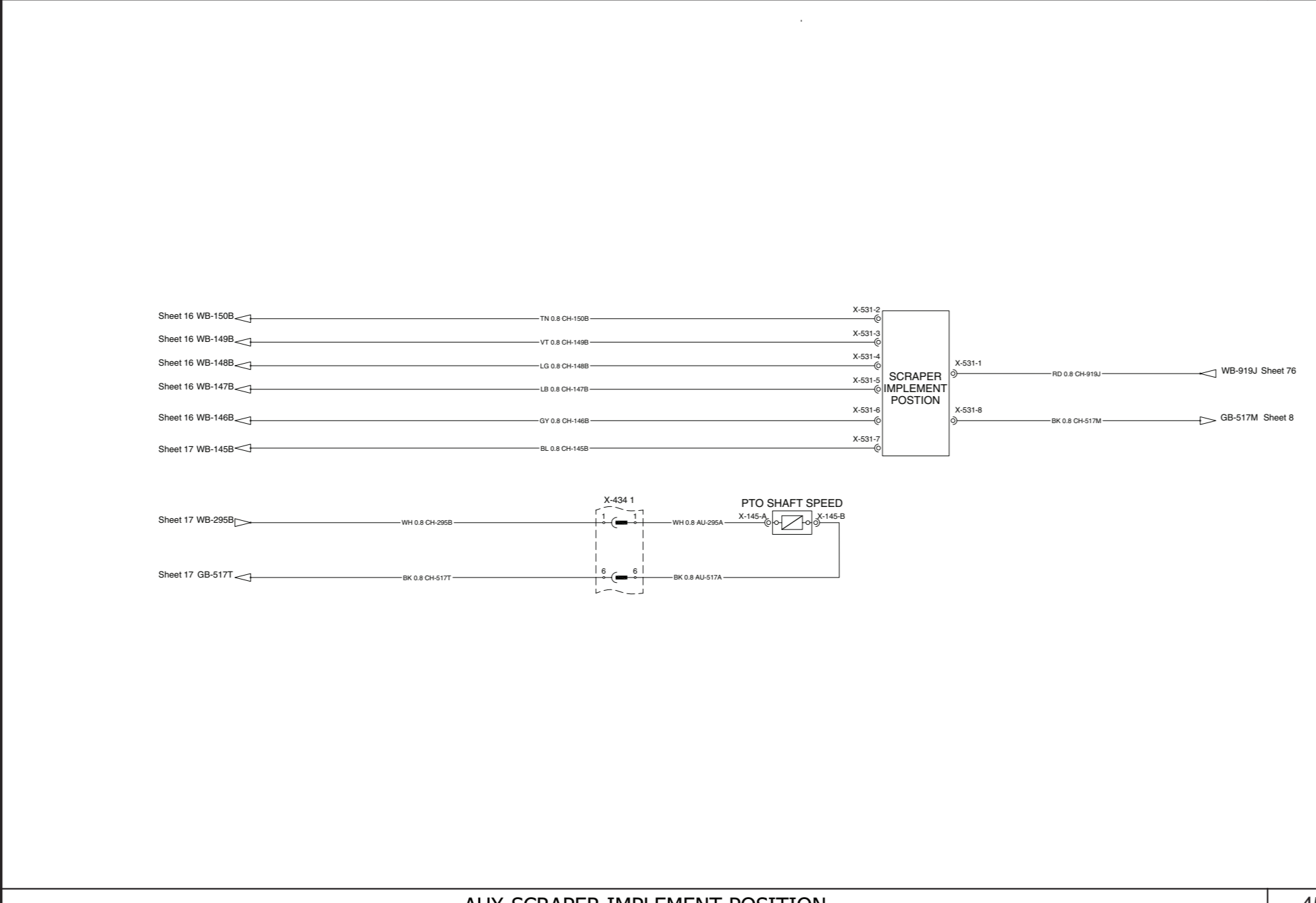
AUXILIARY POWER, MAP LIGHT

43



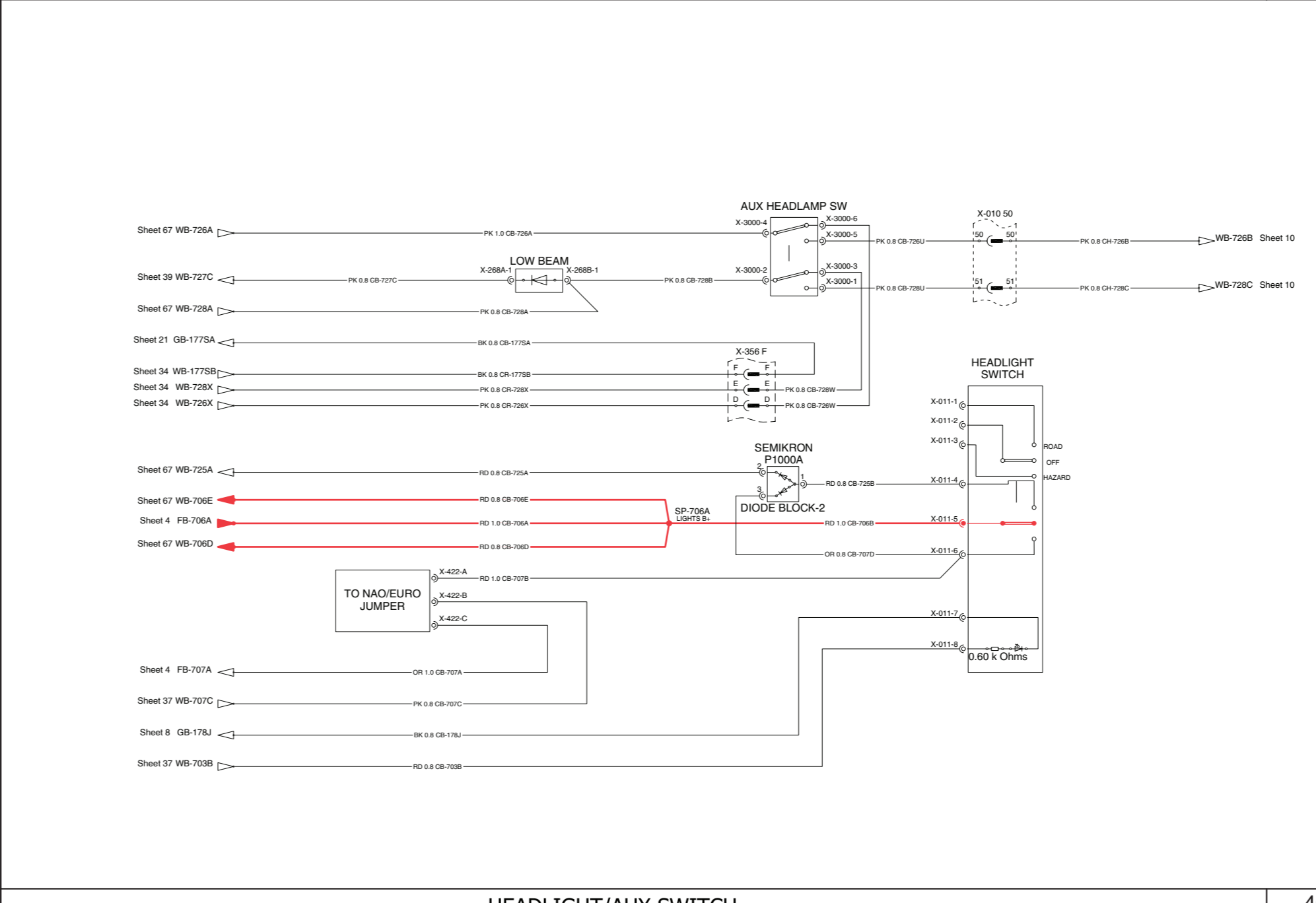
AUXILIARY

44



AUX-SCRAPER IMPLEMENT POSITION

45



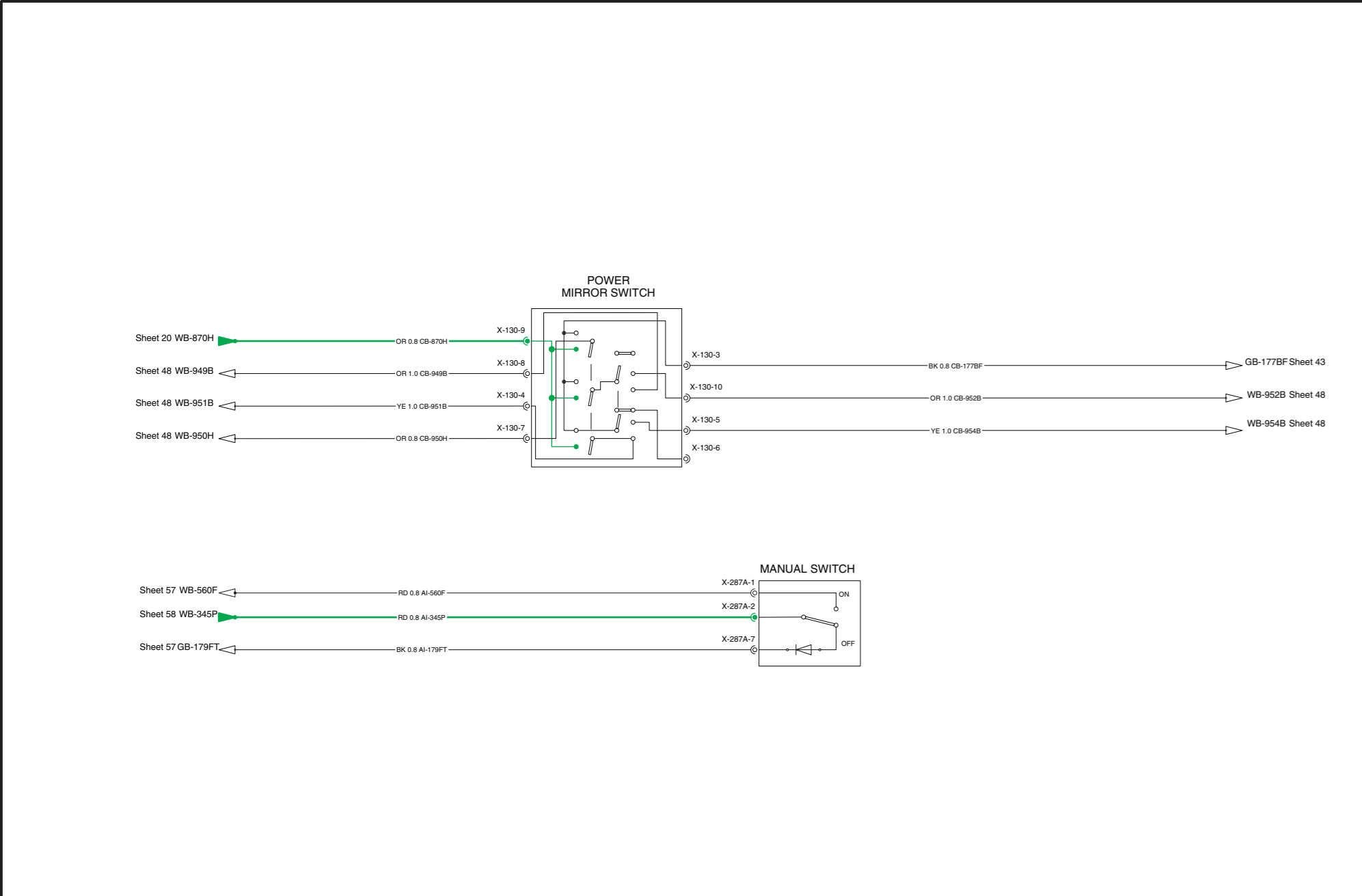
HEADLIGHT/AUX SWITCH

46

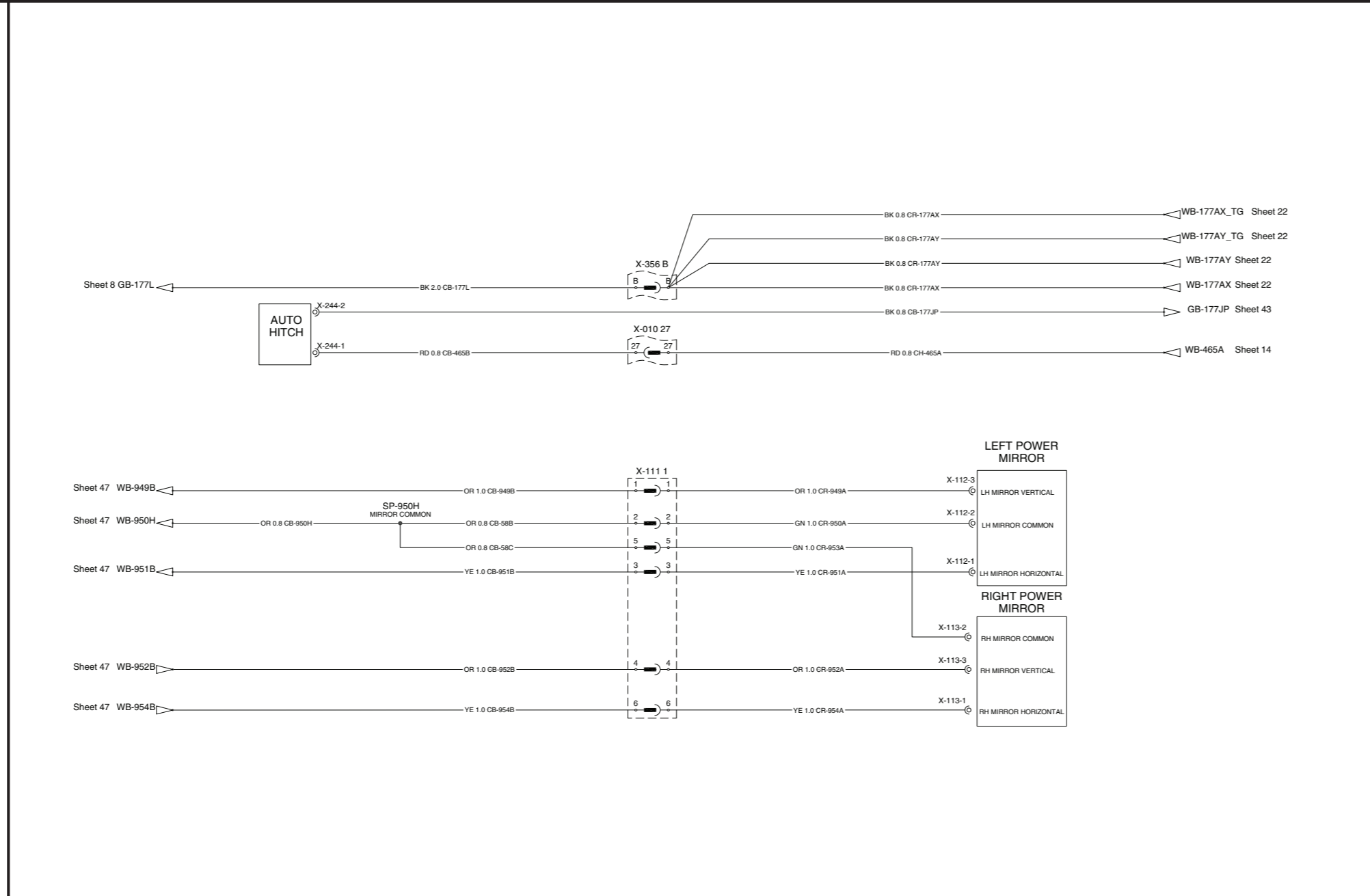
T8.275, T8.300, T8.330, T8.360 AND T8.390 TRACTOR SERIES ELECTRICAL SCHEMATIC RAC 84414790

LEGEND

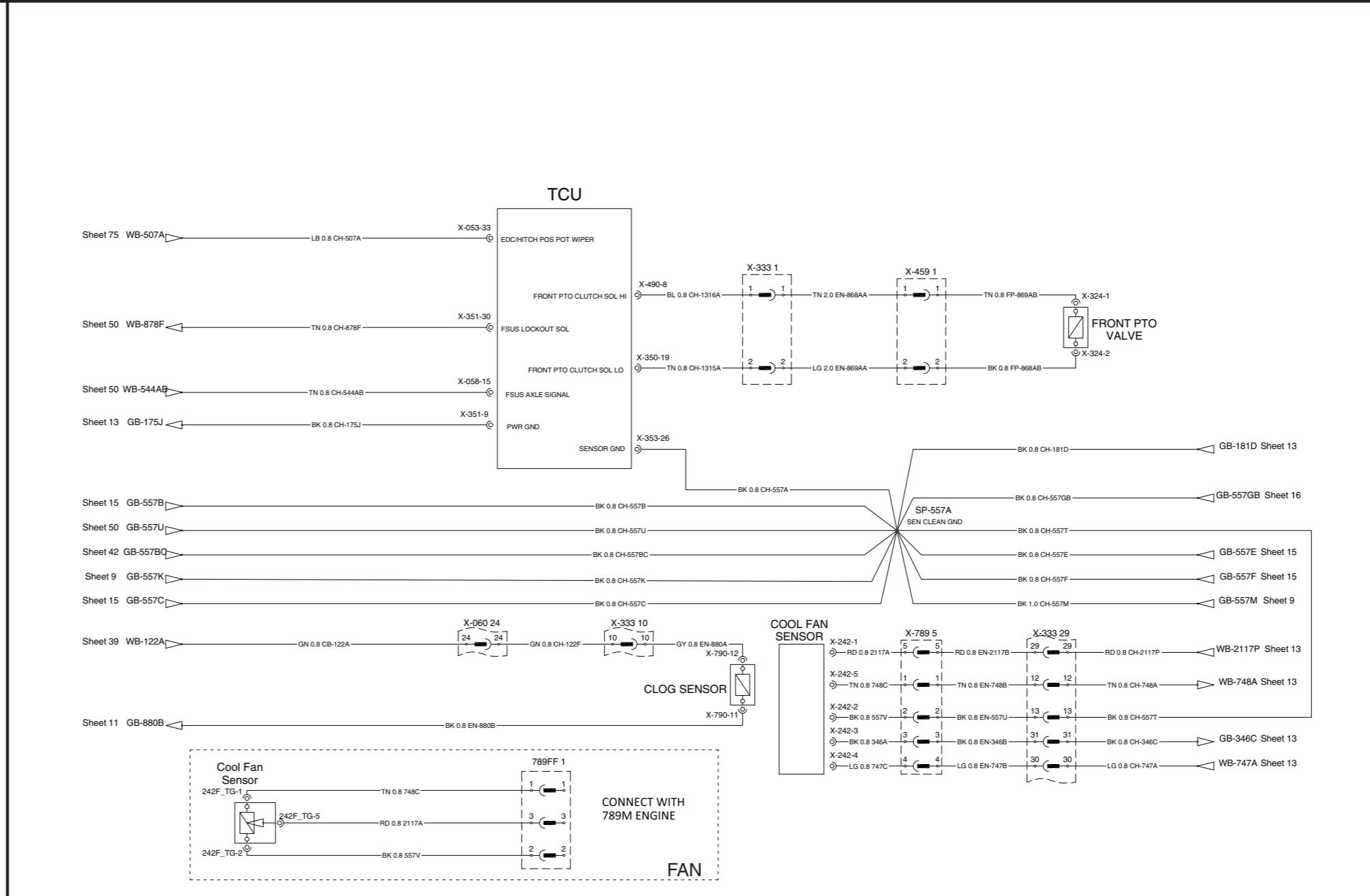
- INDICATES CONSTANT POWER
- INDICATES POWER WHEN KEY SWITCH IS ON
- INDICATES POWER WHEN KEY SWITCH IS IN START POSITION
- INDICATES 24 VOLT CIRCUIT



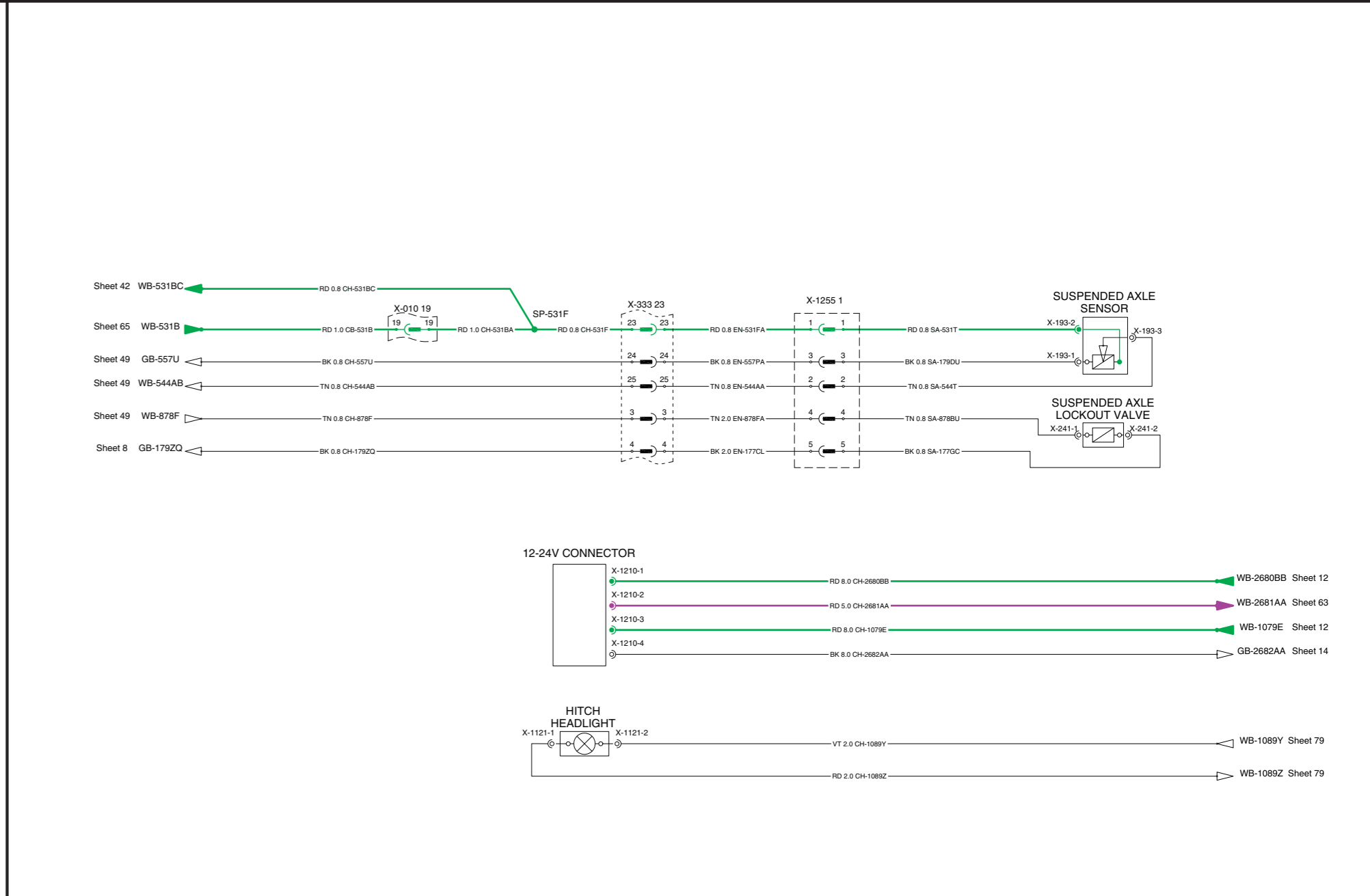
POWER MIRROR SWITCH 47



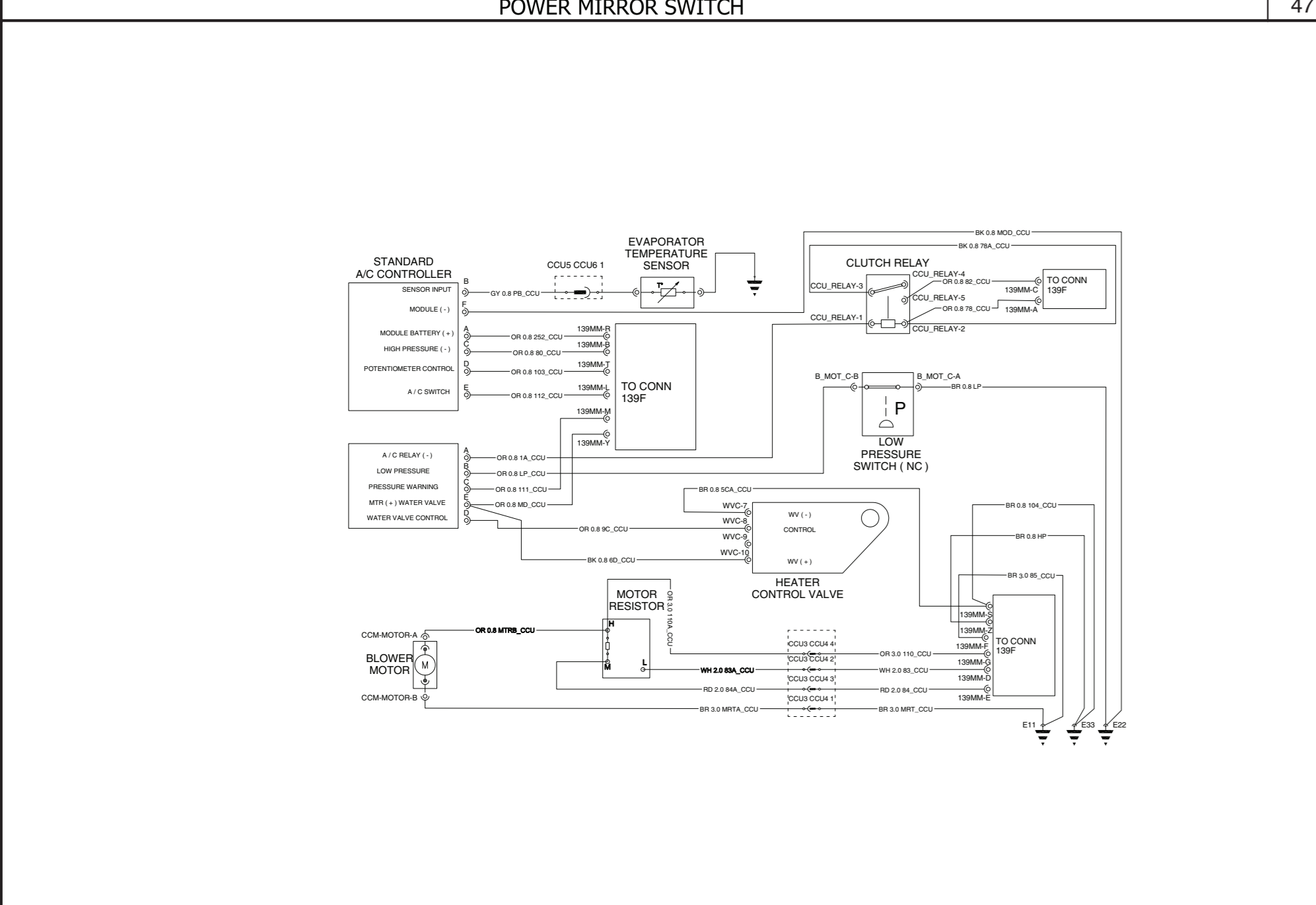
POWER MIRROR CAB ROOF 48



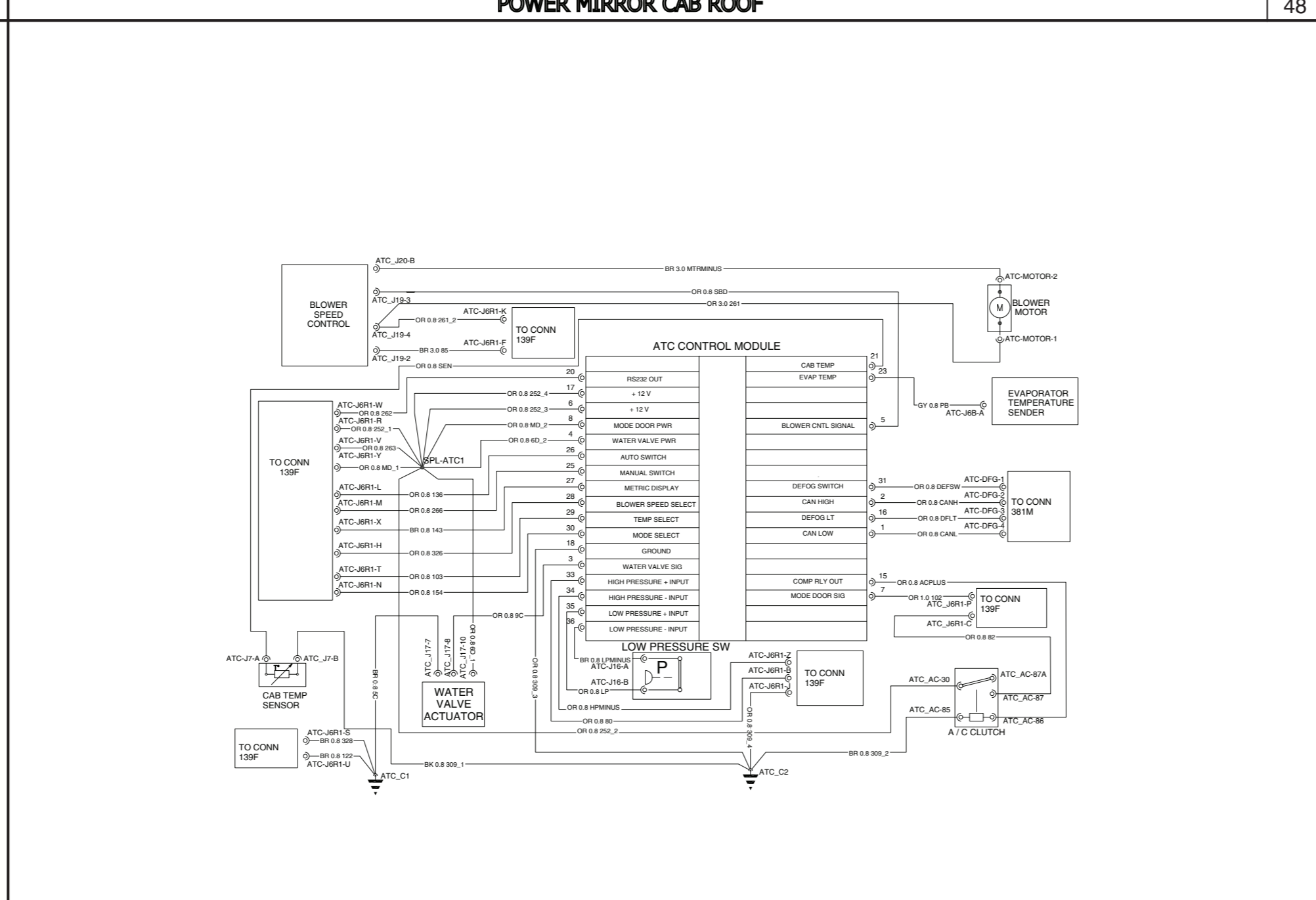
AXLE CONTROLLER 49



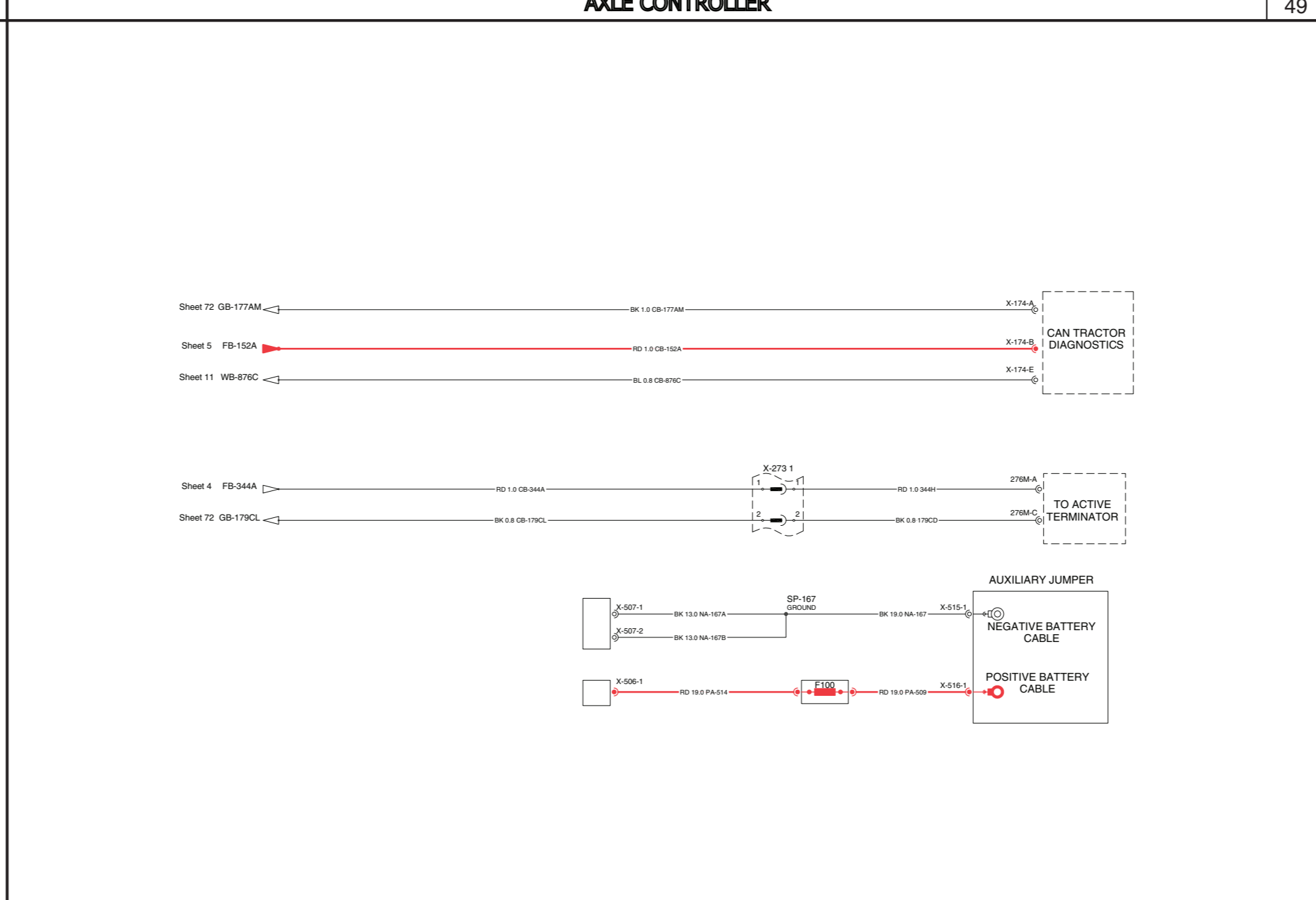
SUSPENDED AXLE 50



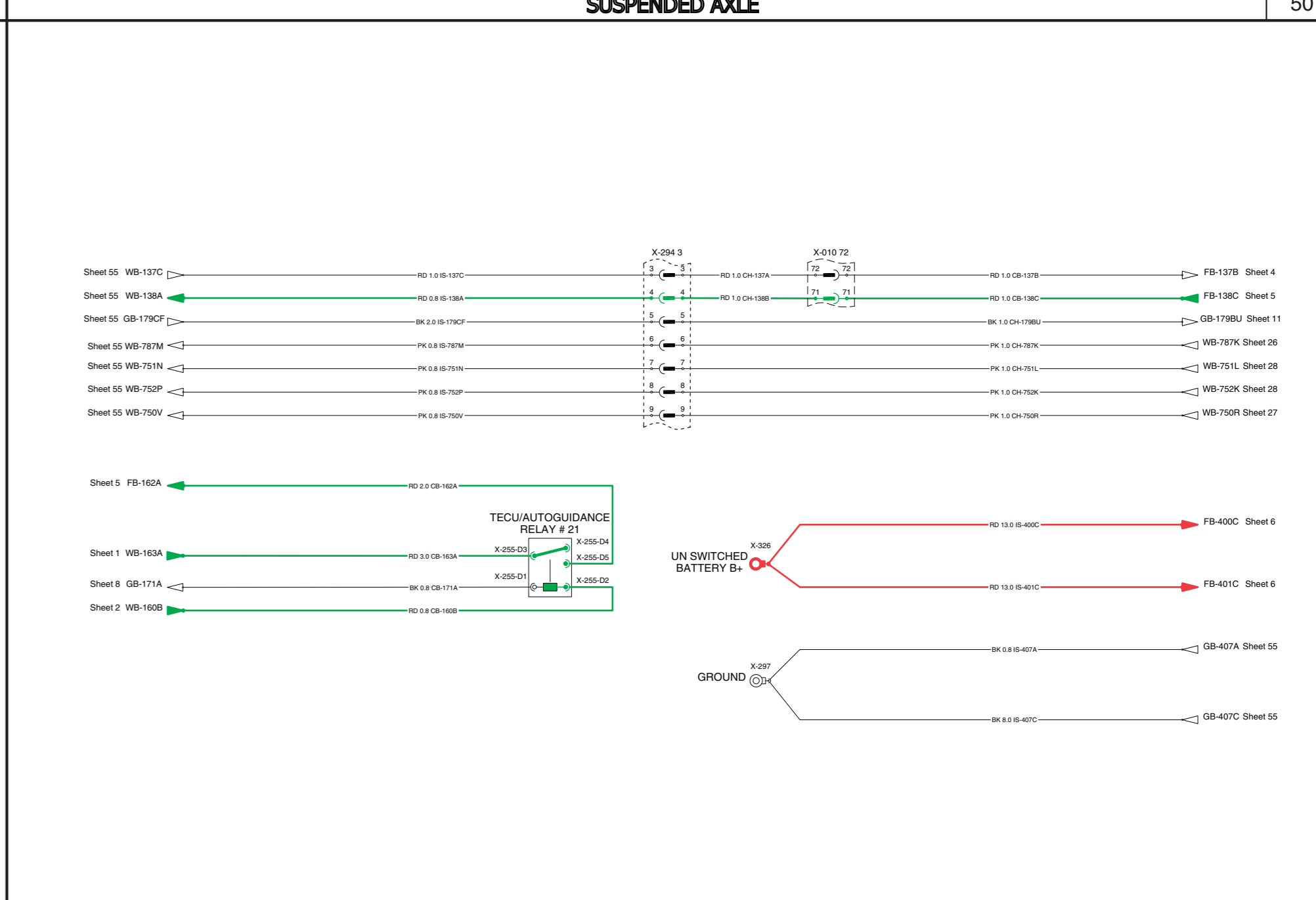
CLIMATE CONTROL UNIT 51



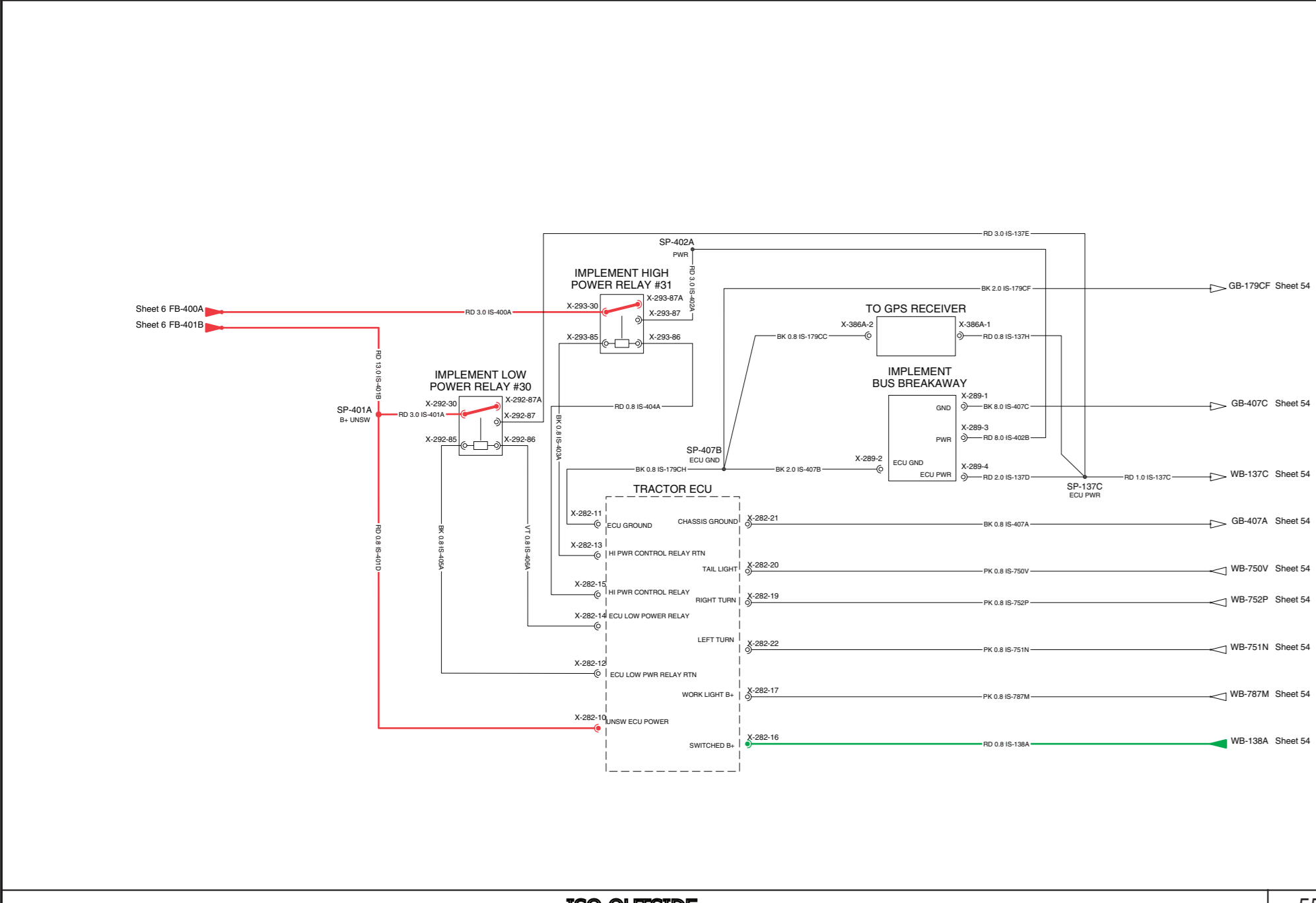
ATC CONTROL UNIT 52



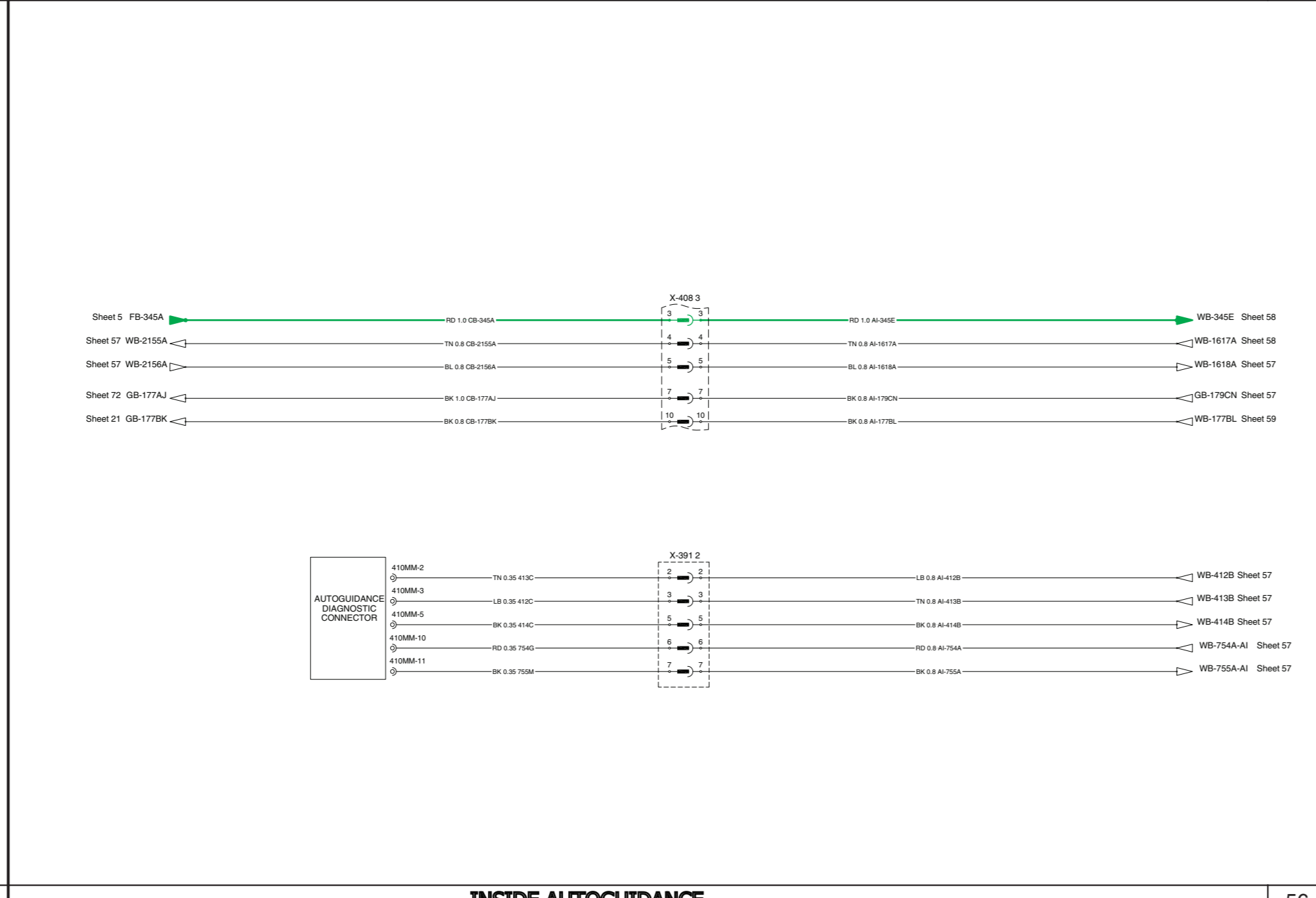
DIAGNOSTICS 53



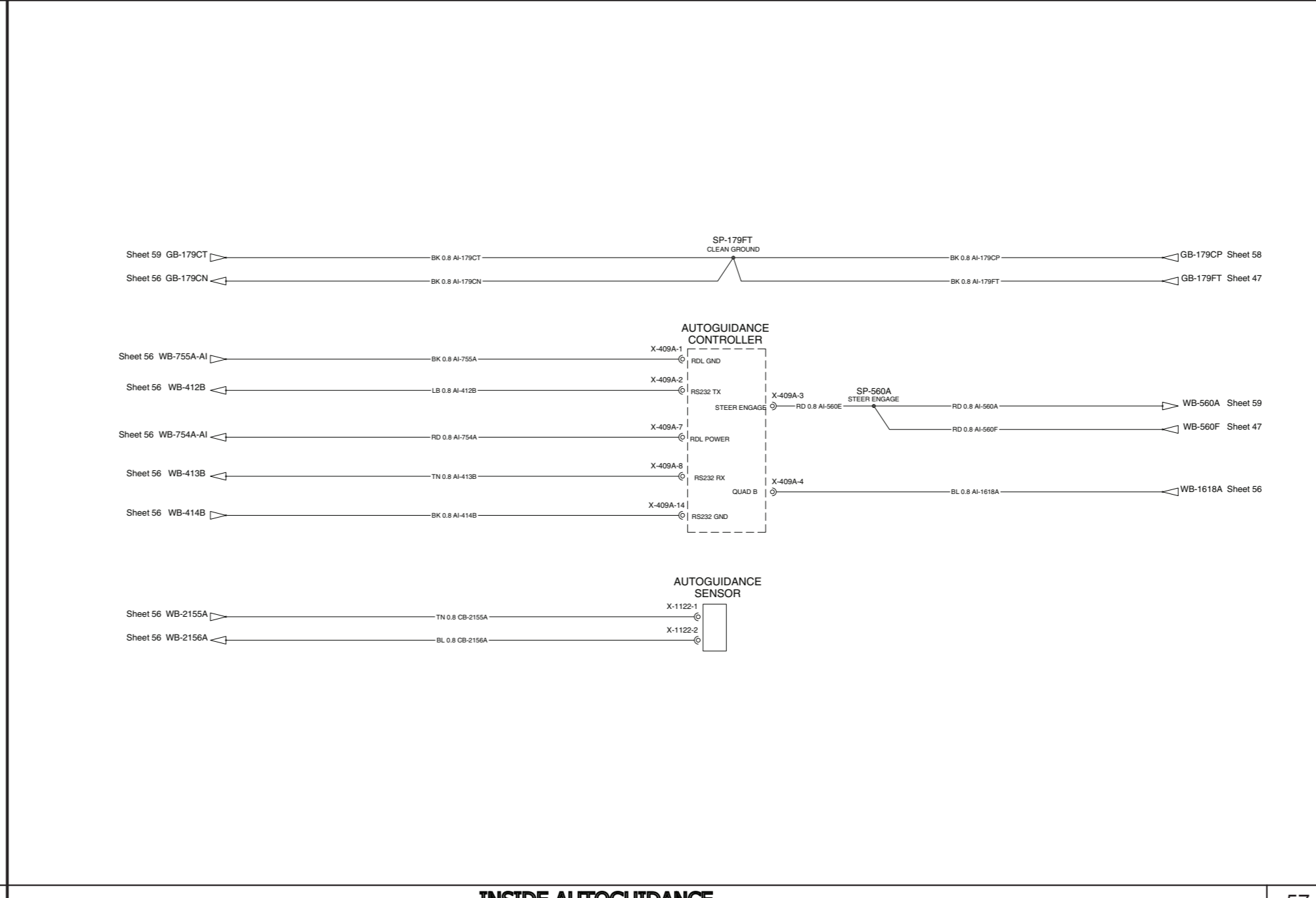
ISO OUTSIDE 54



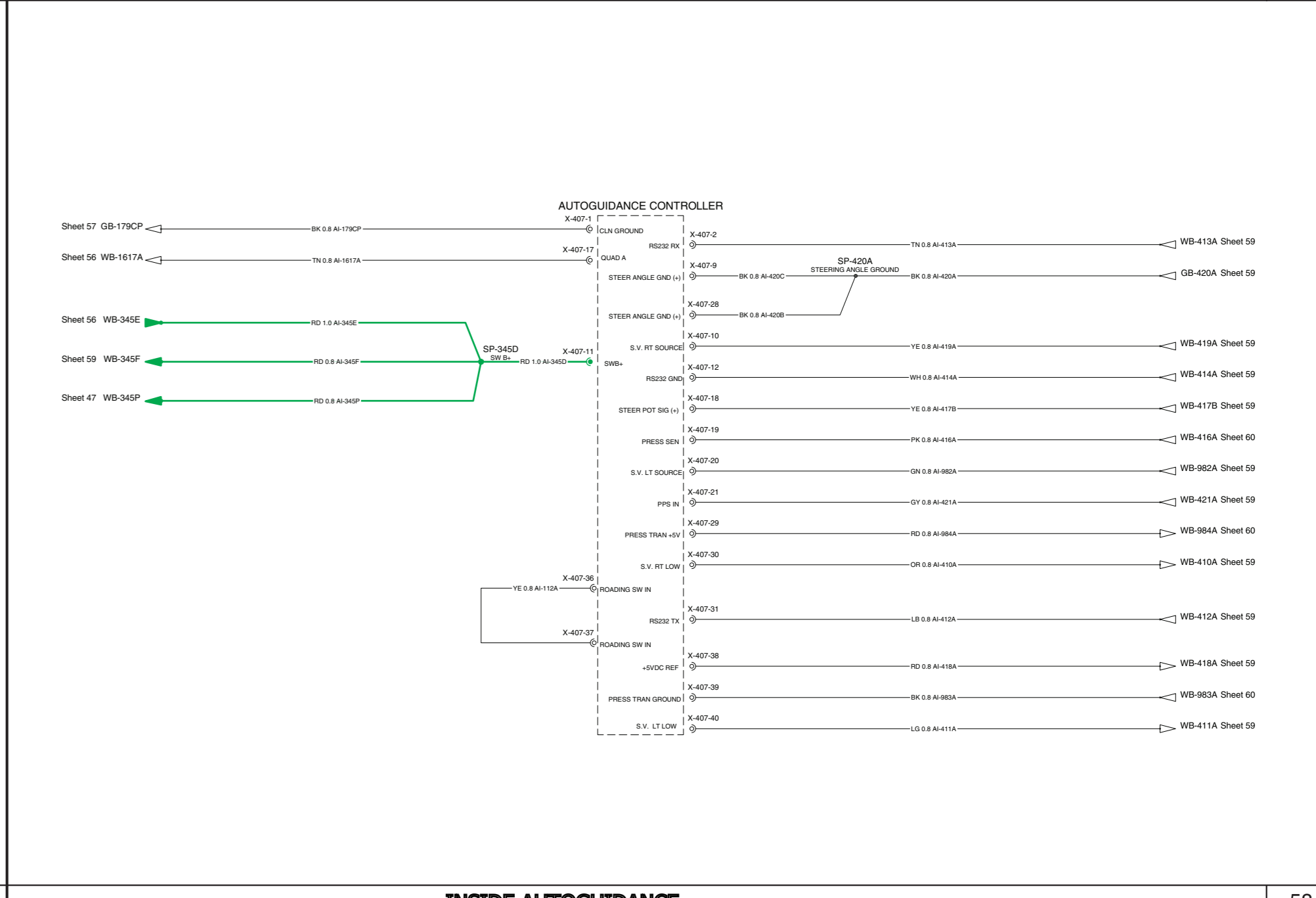
ISO OUTSIDE 55



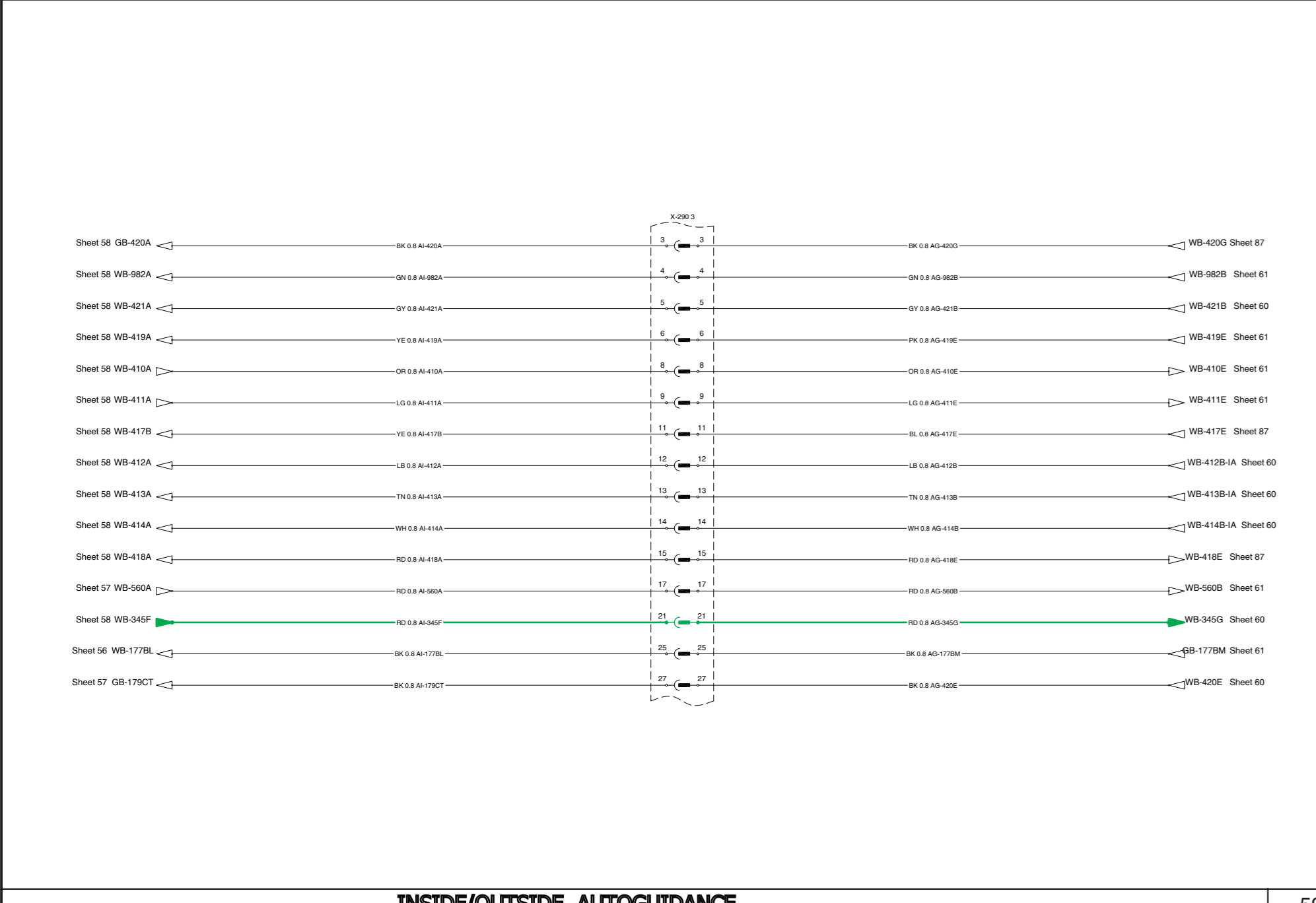
INSIDE AUTOGUIDANCE 56



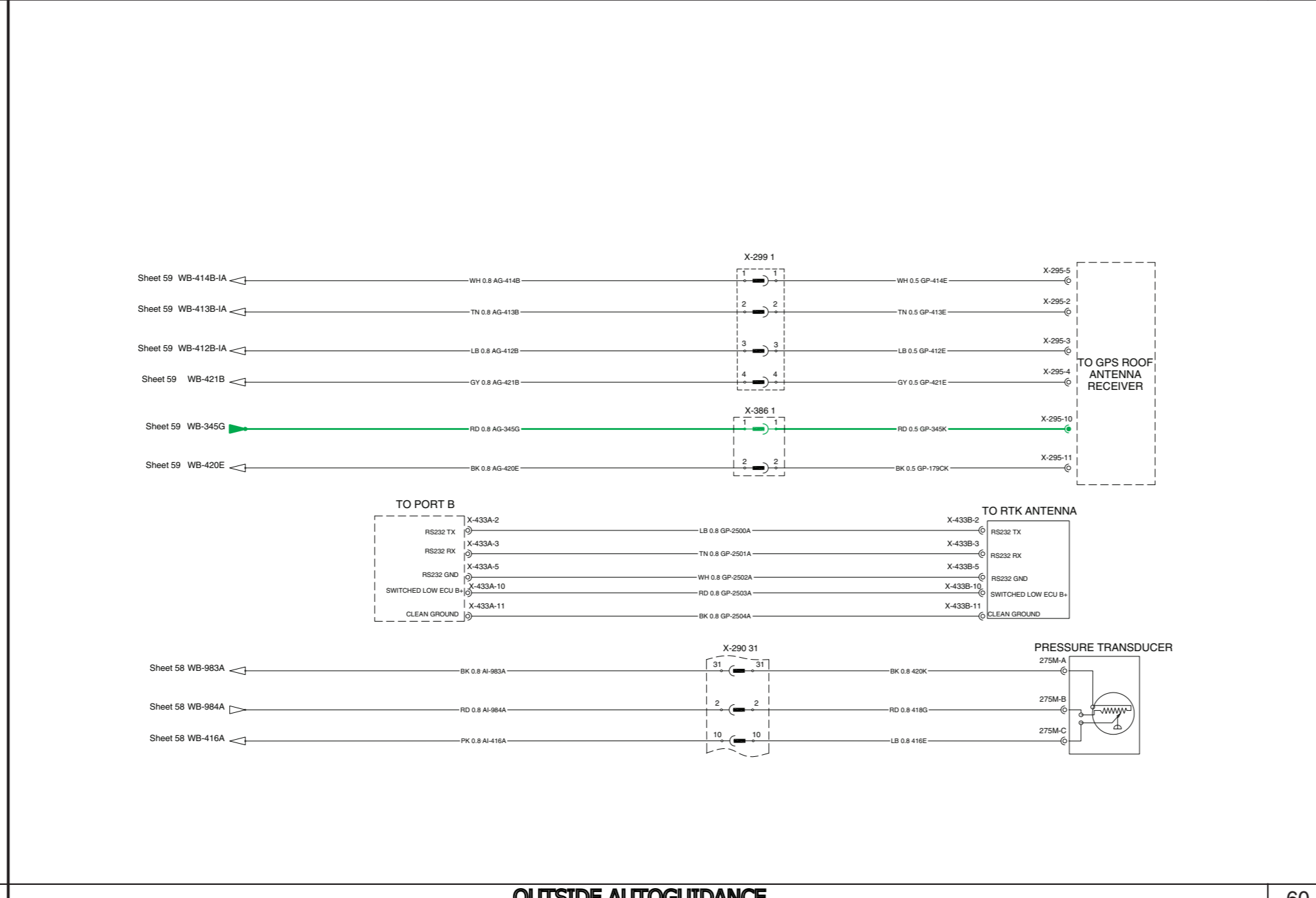
INSIDE AUTOGUIDANCE 57



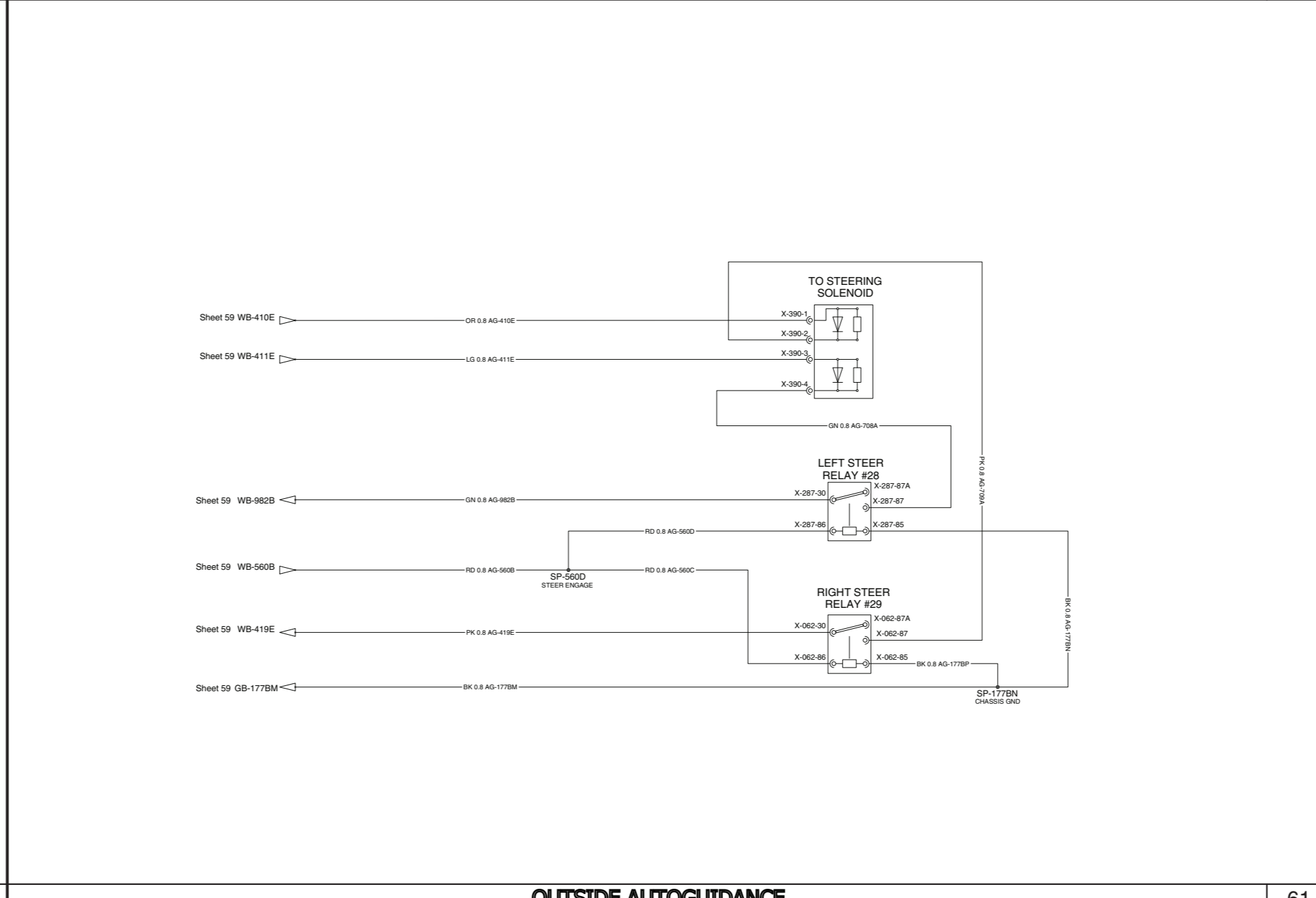
INSIDE AUTOGUIDANCE 58



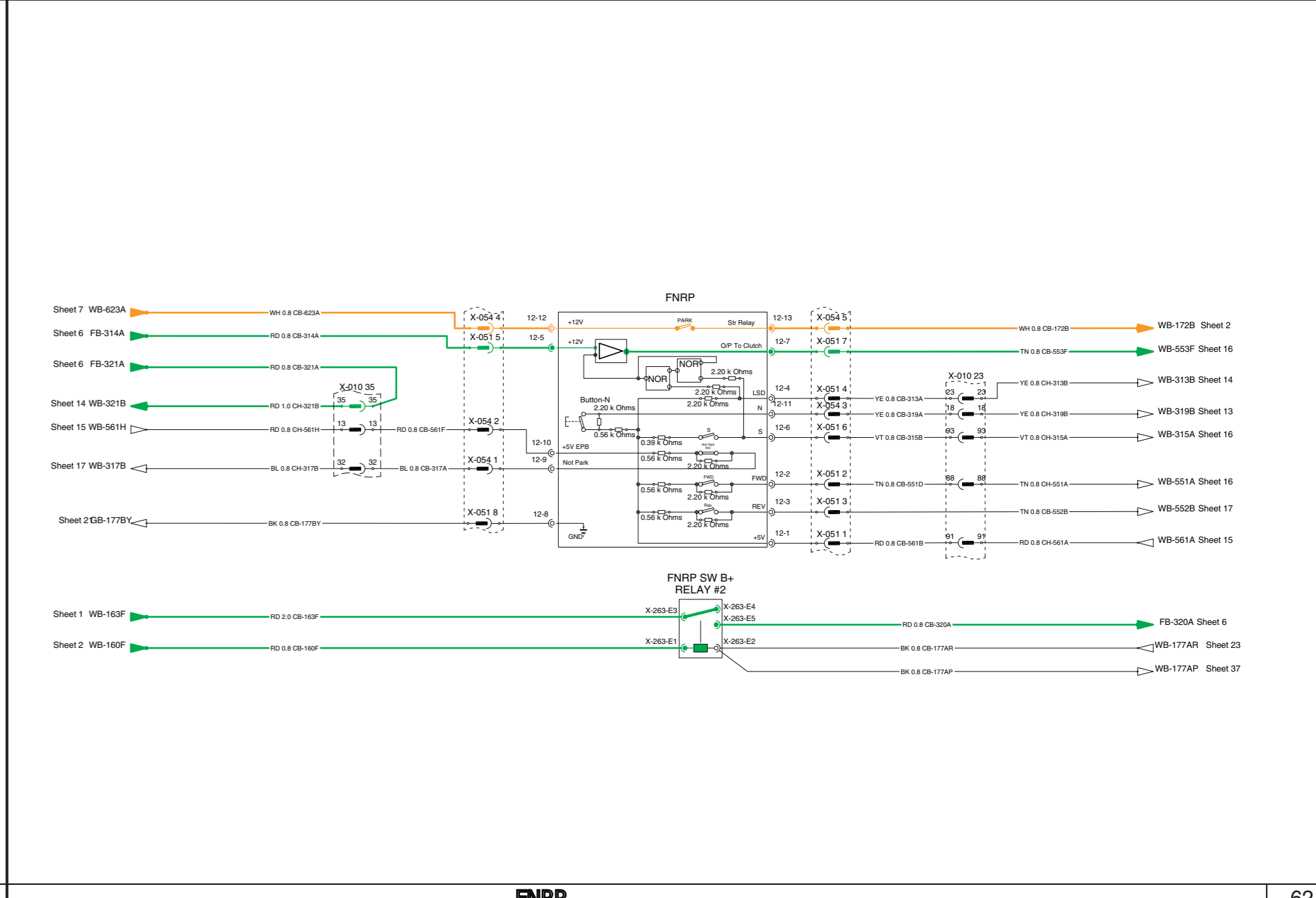
INSIDE/OUTSIDE AUTOGUIDANCE 59



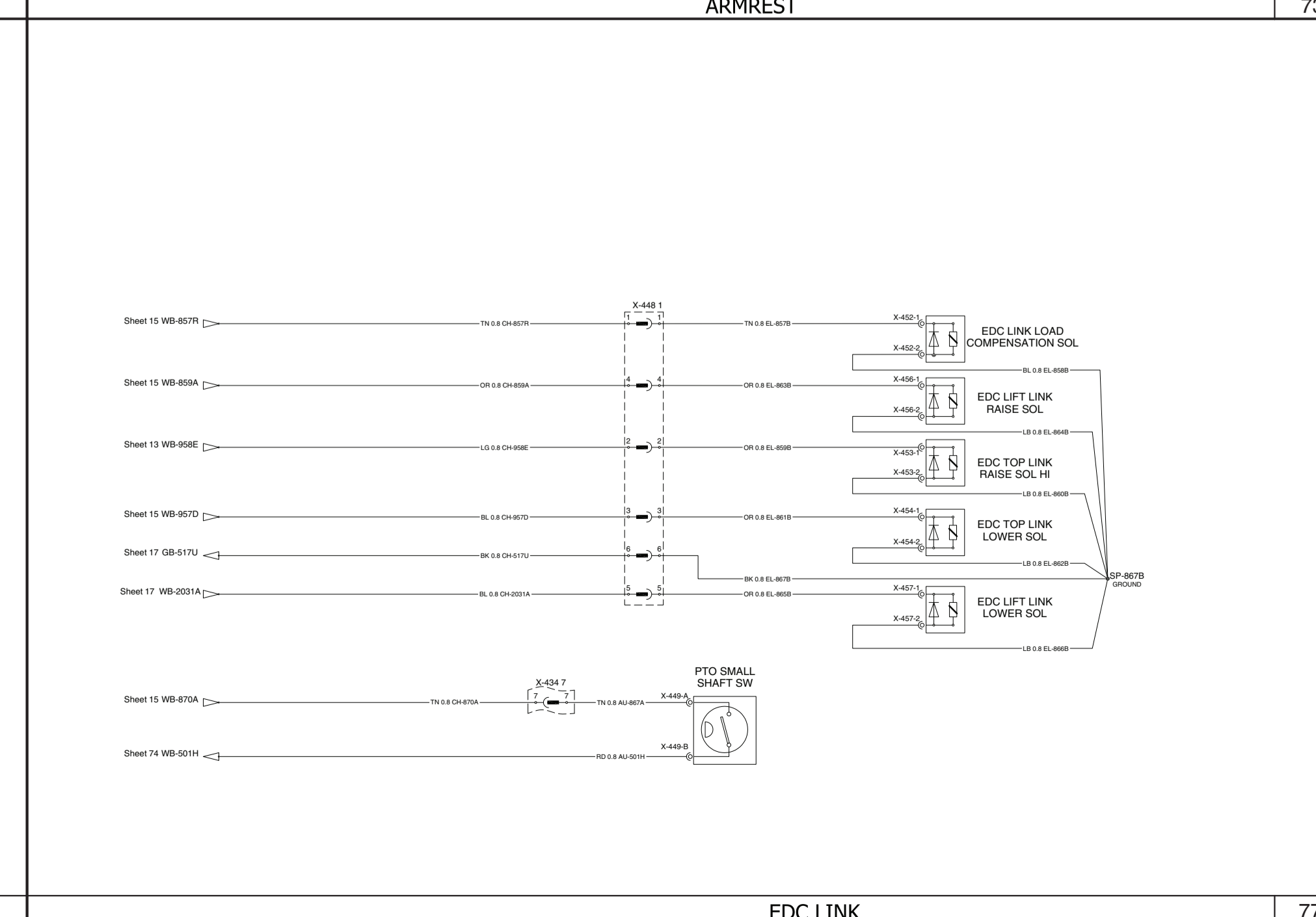
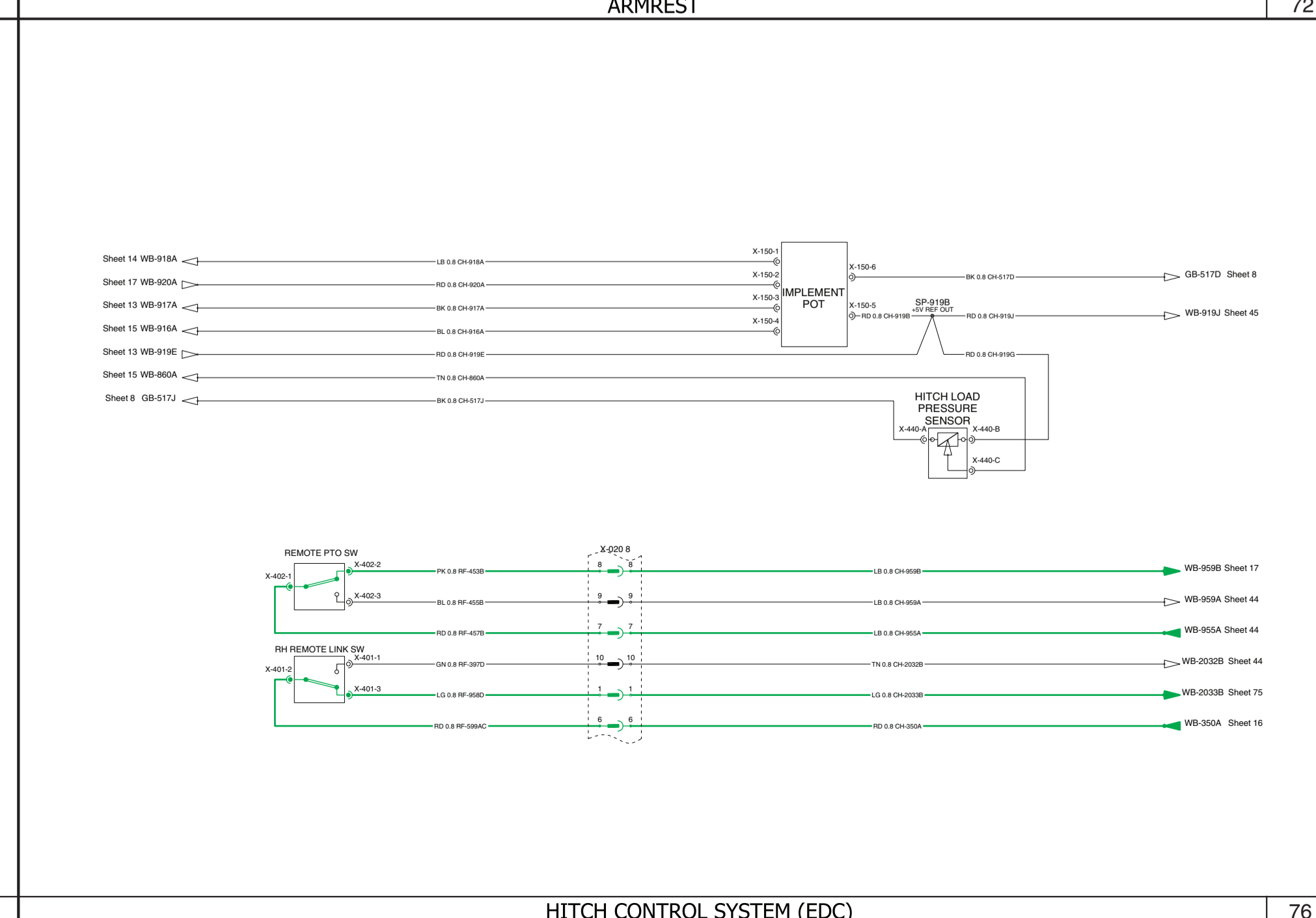
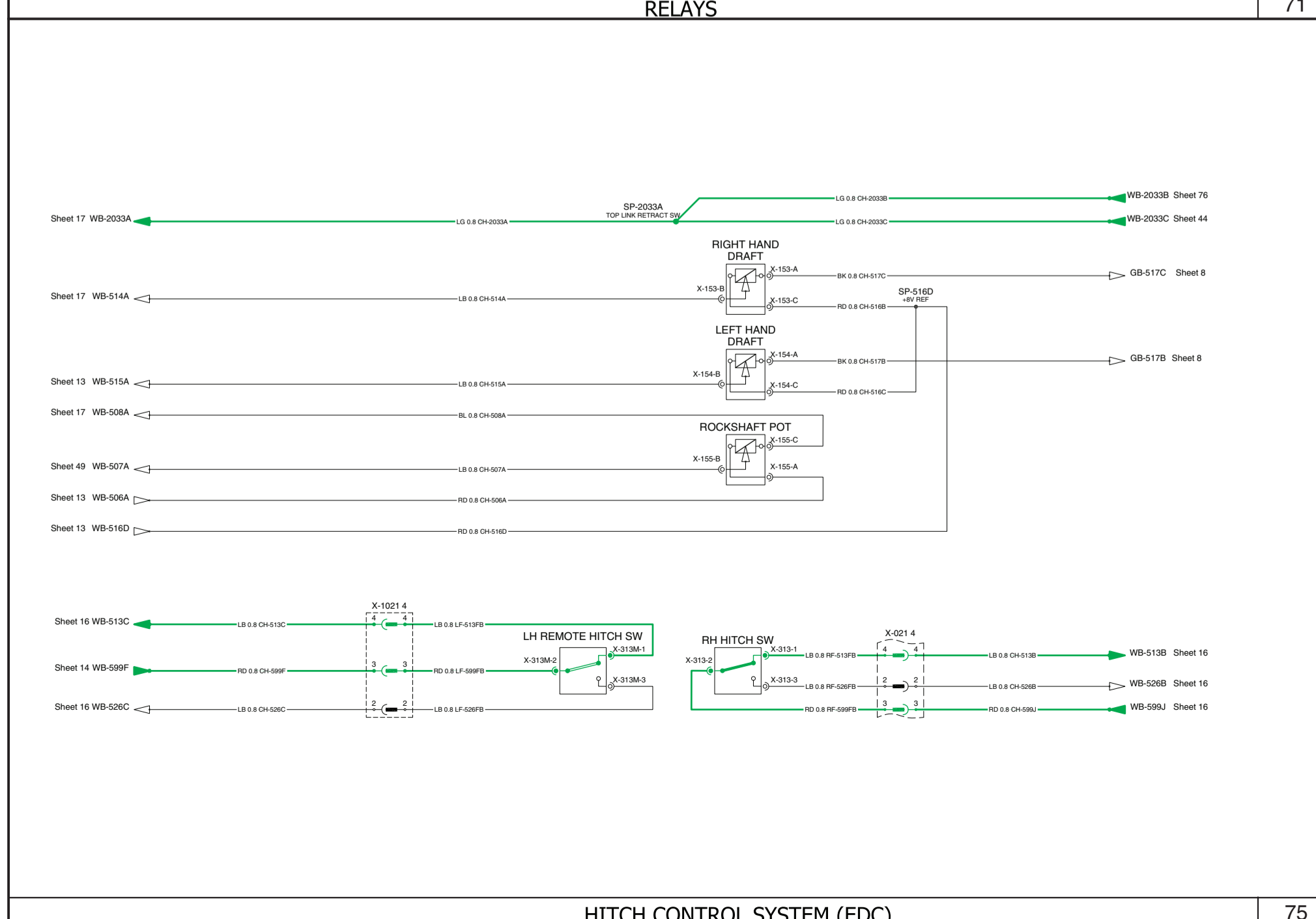
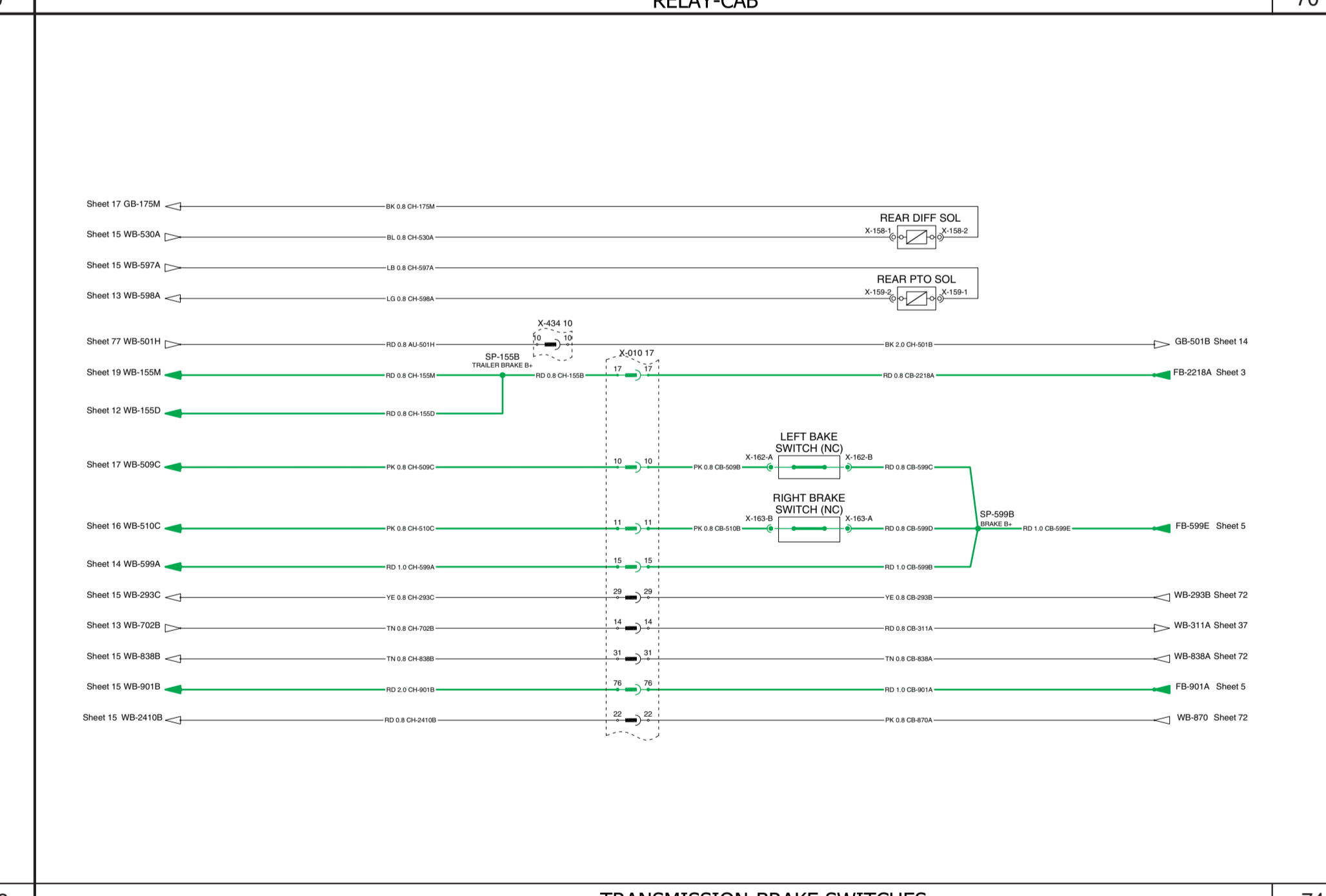
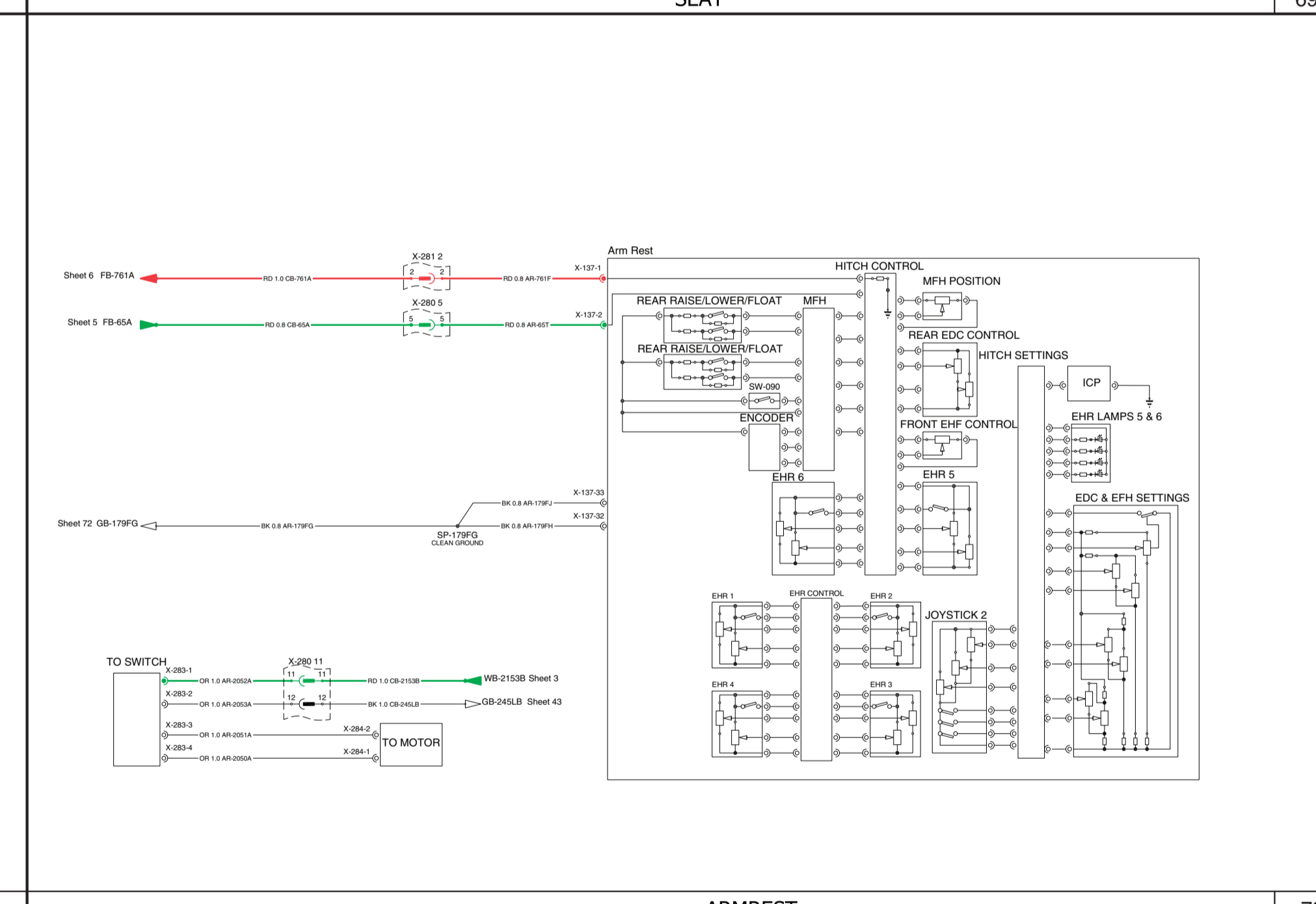
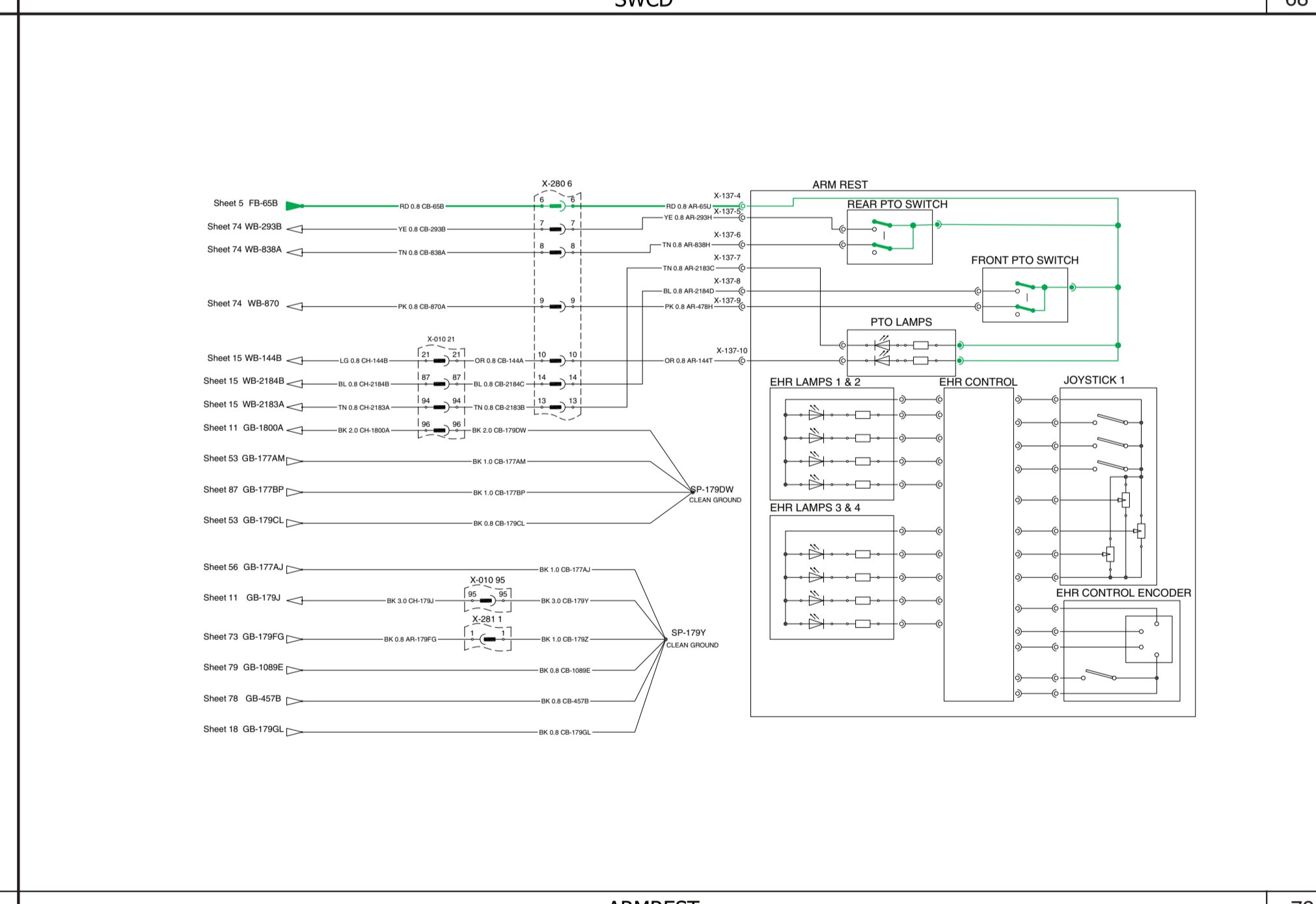
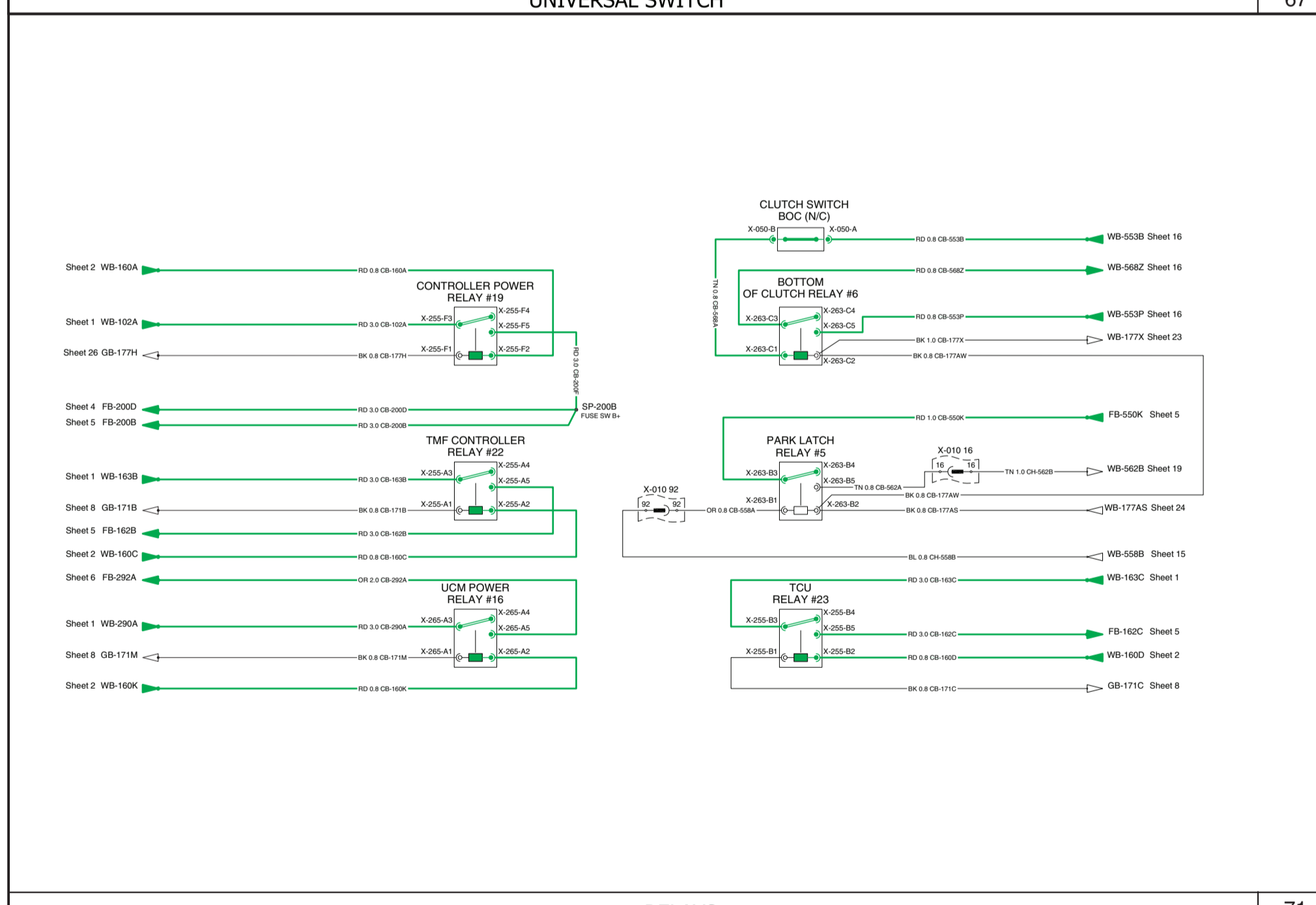
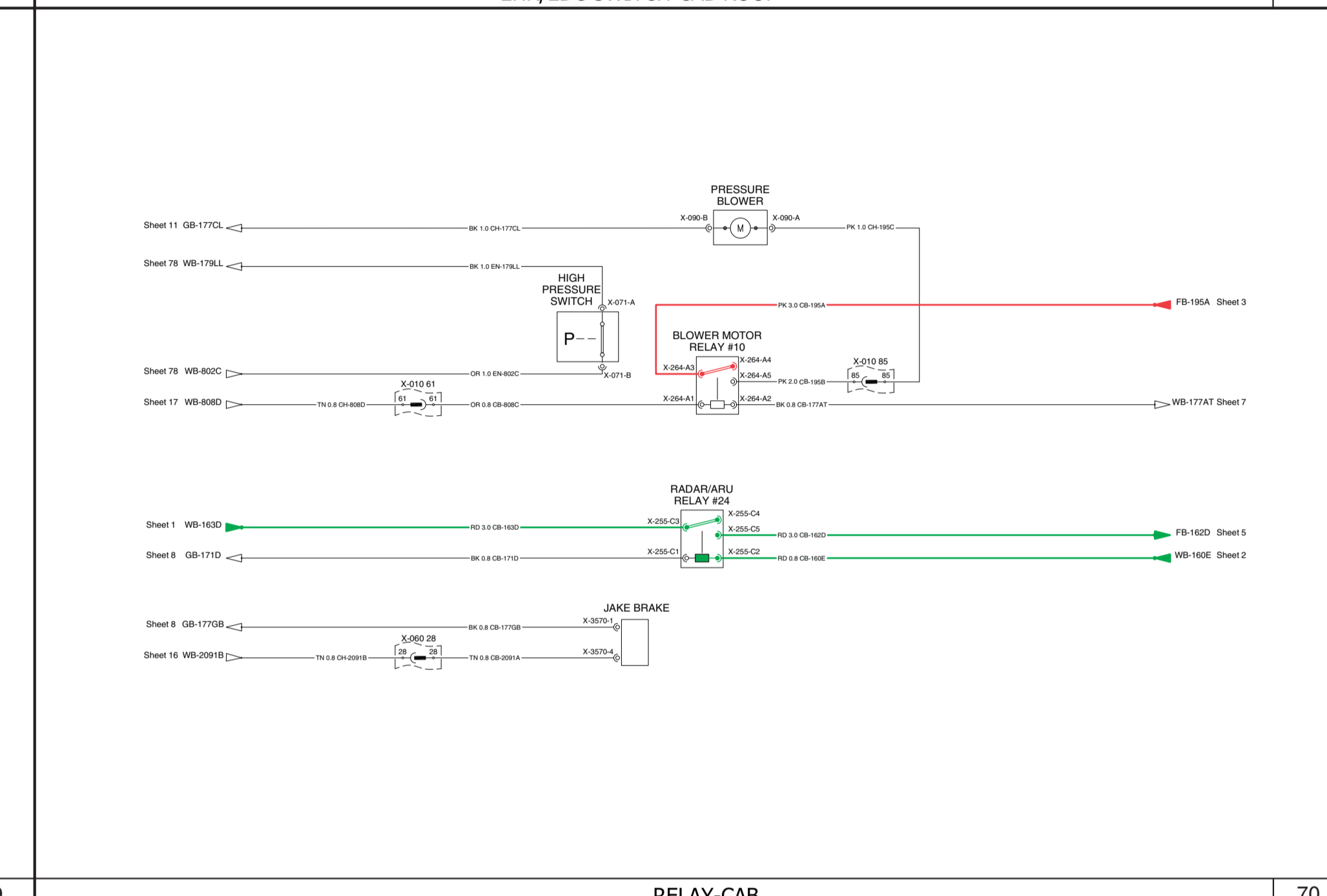
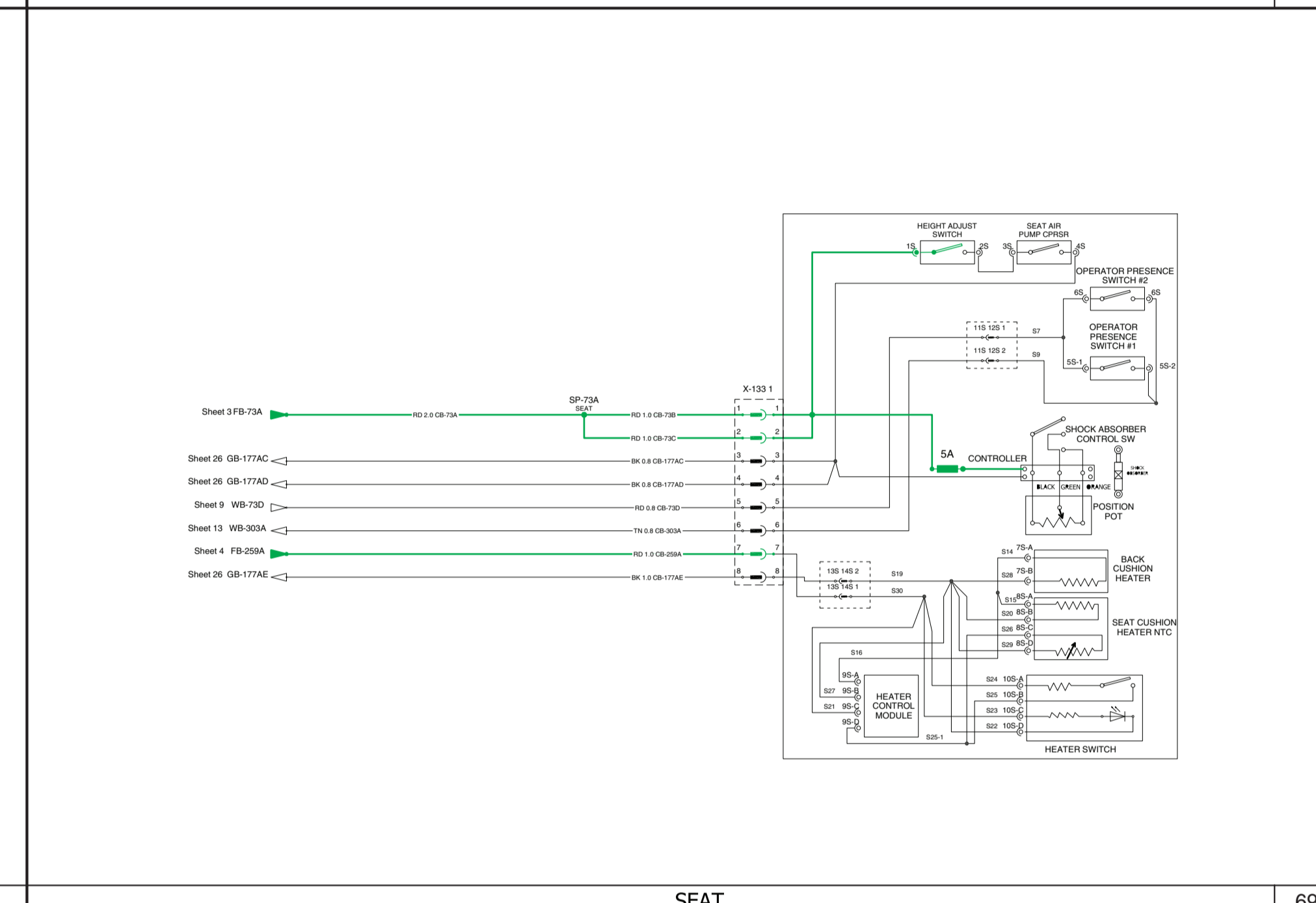
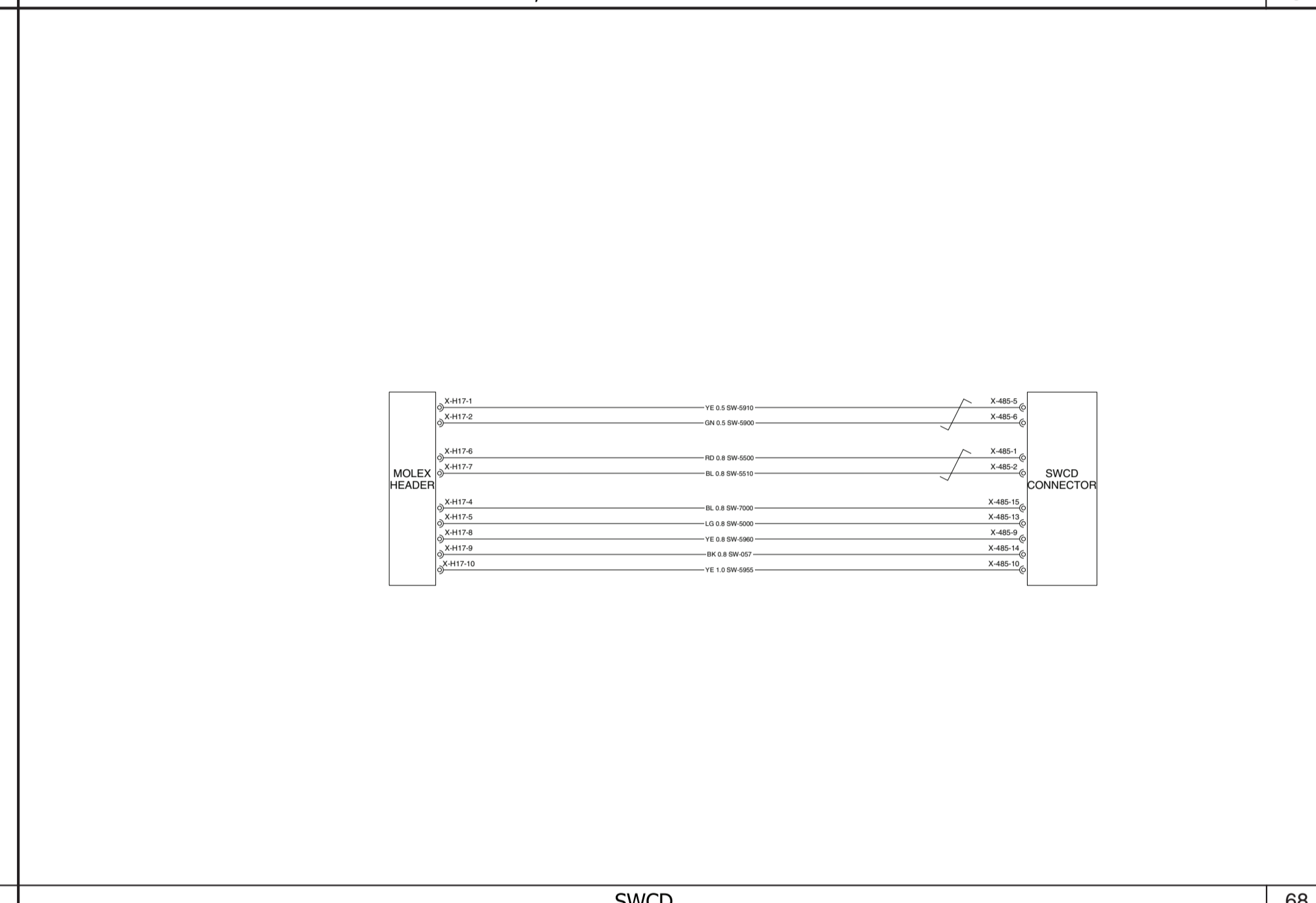
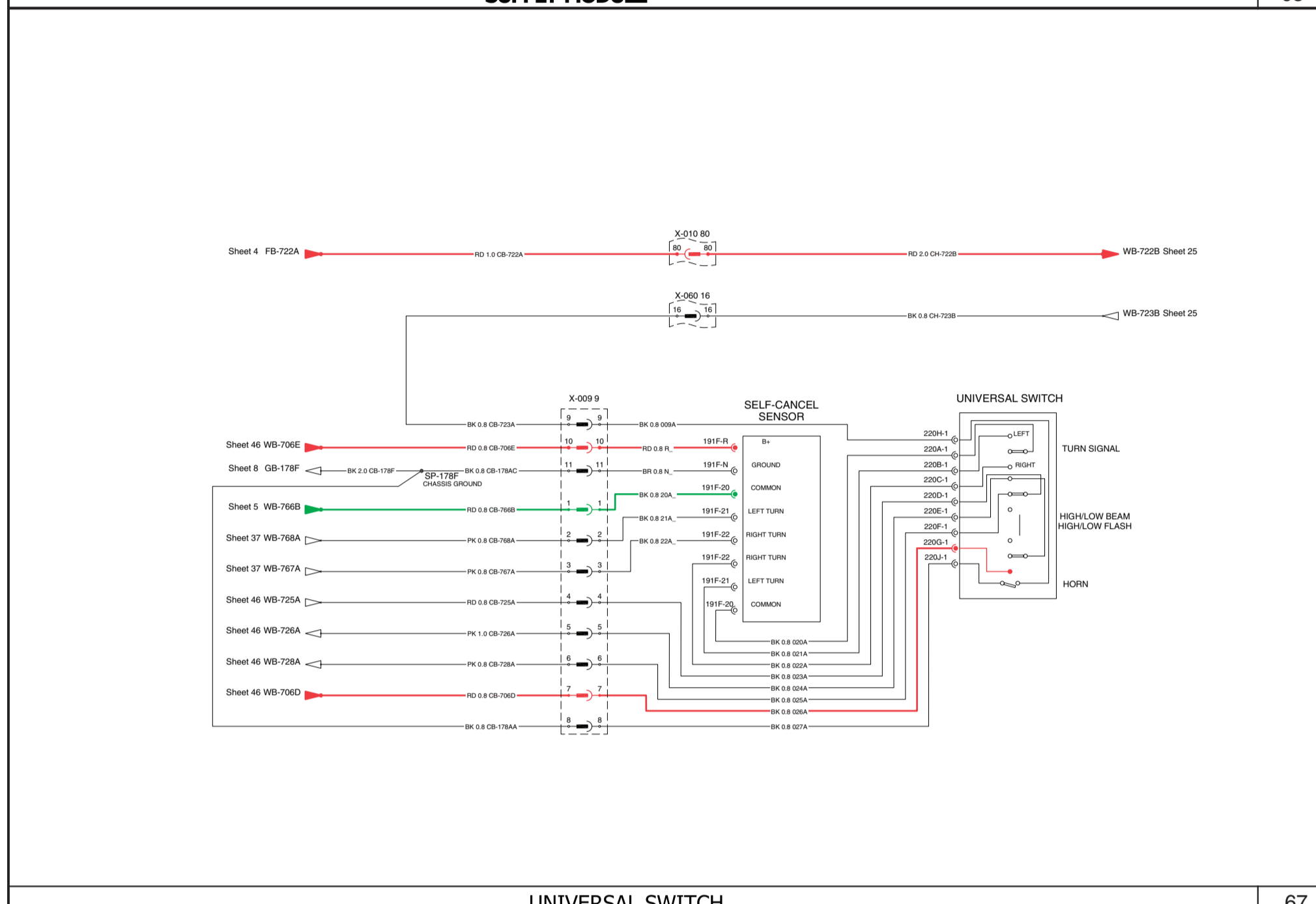
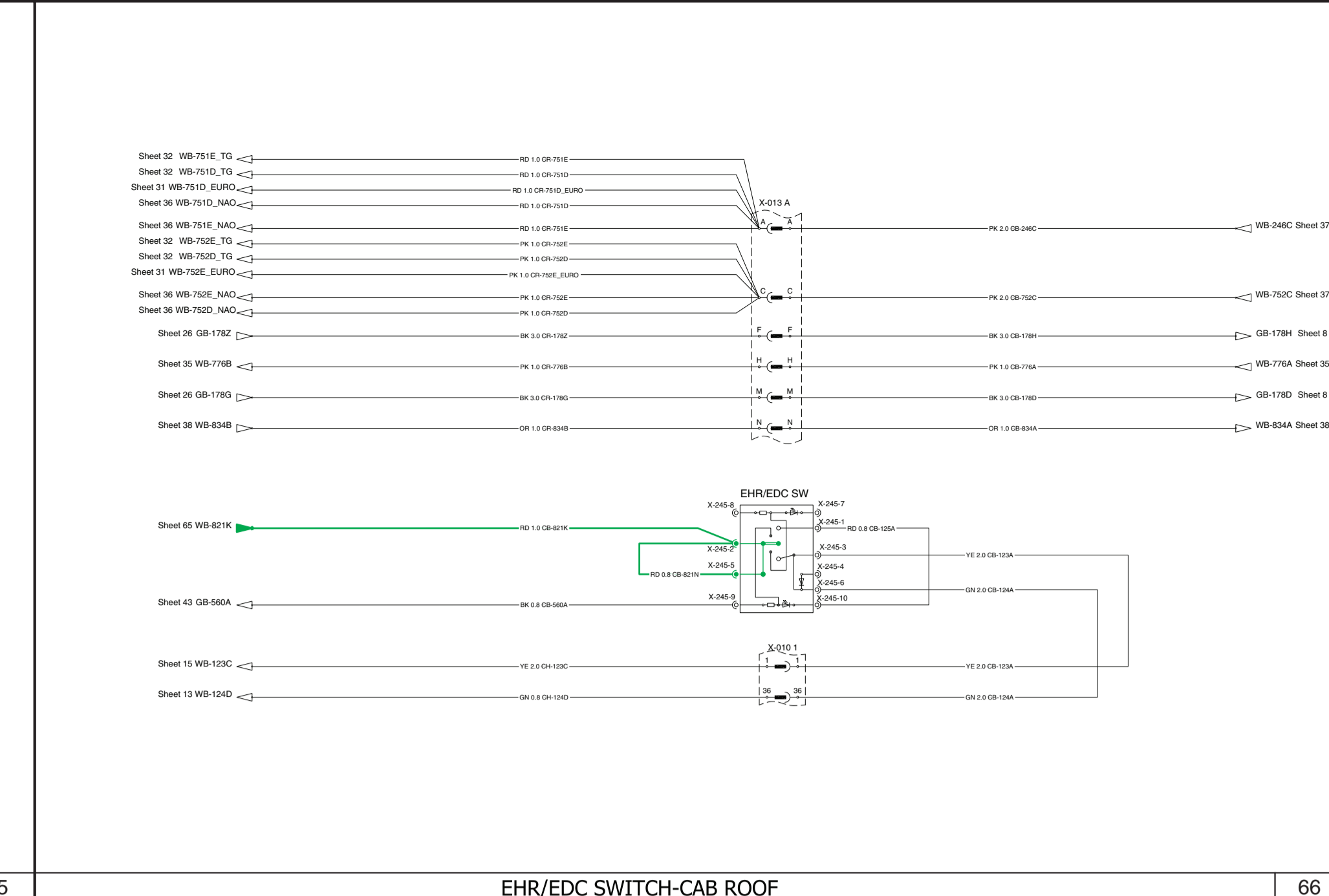
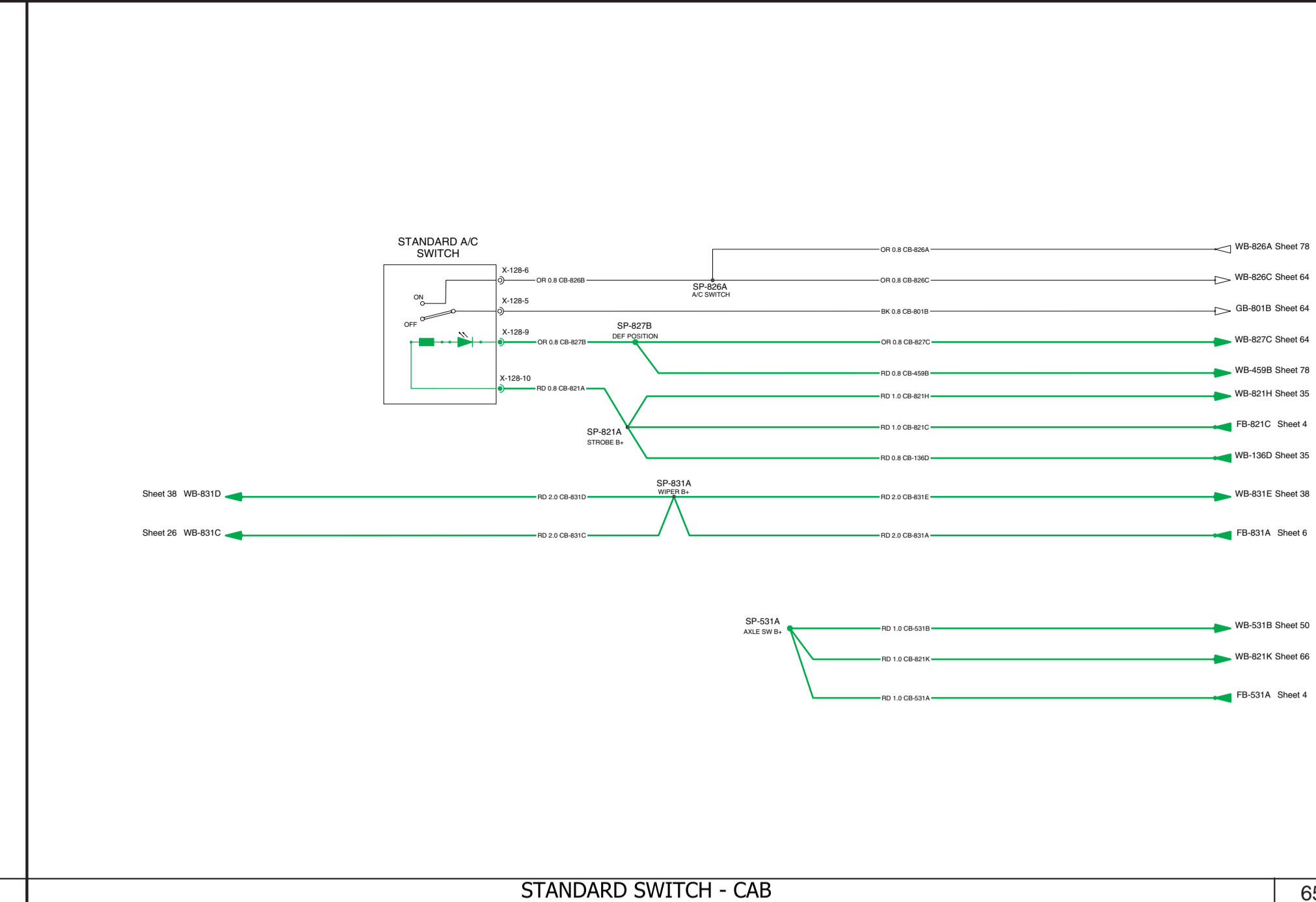
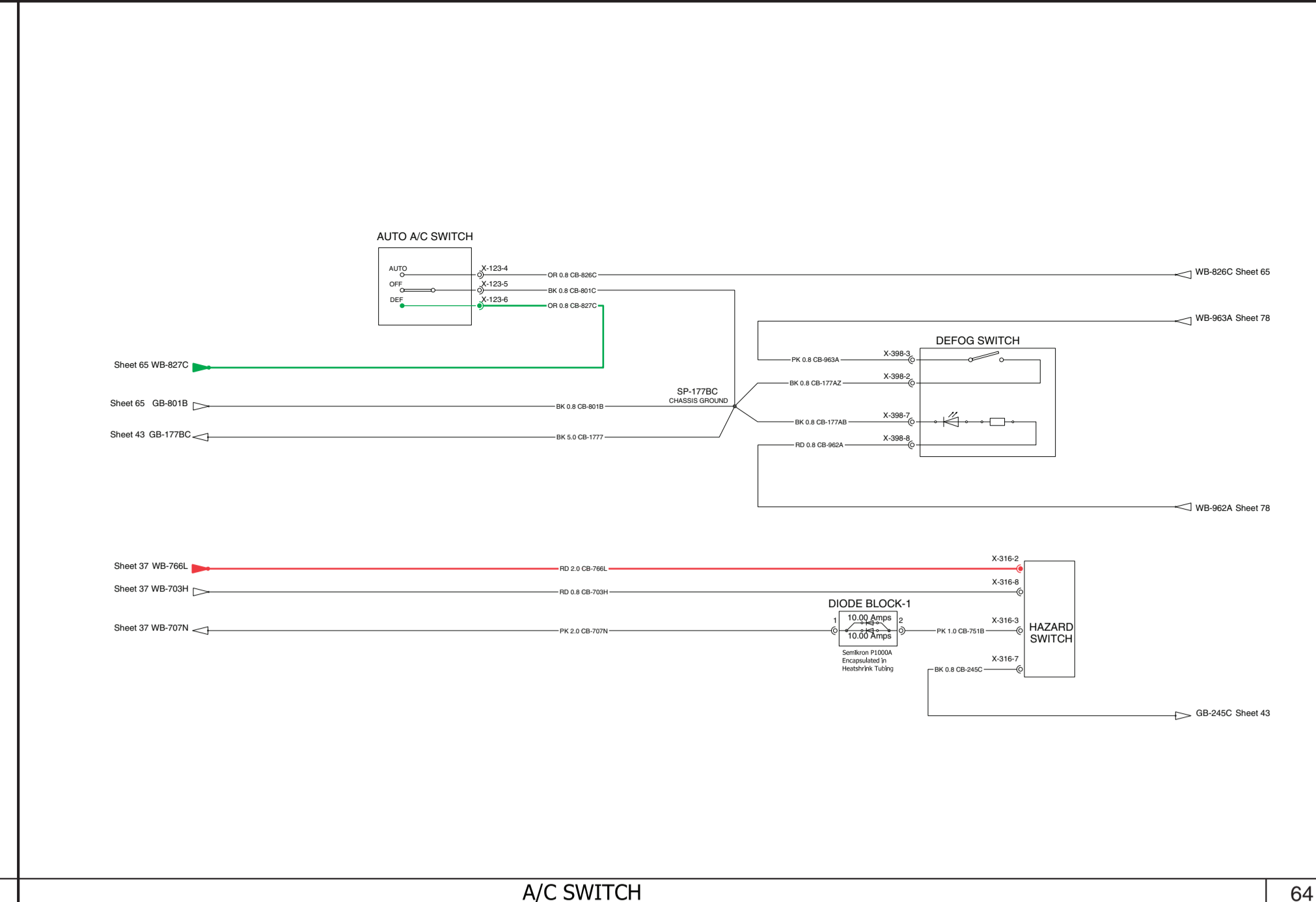
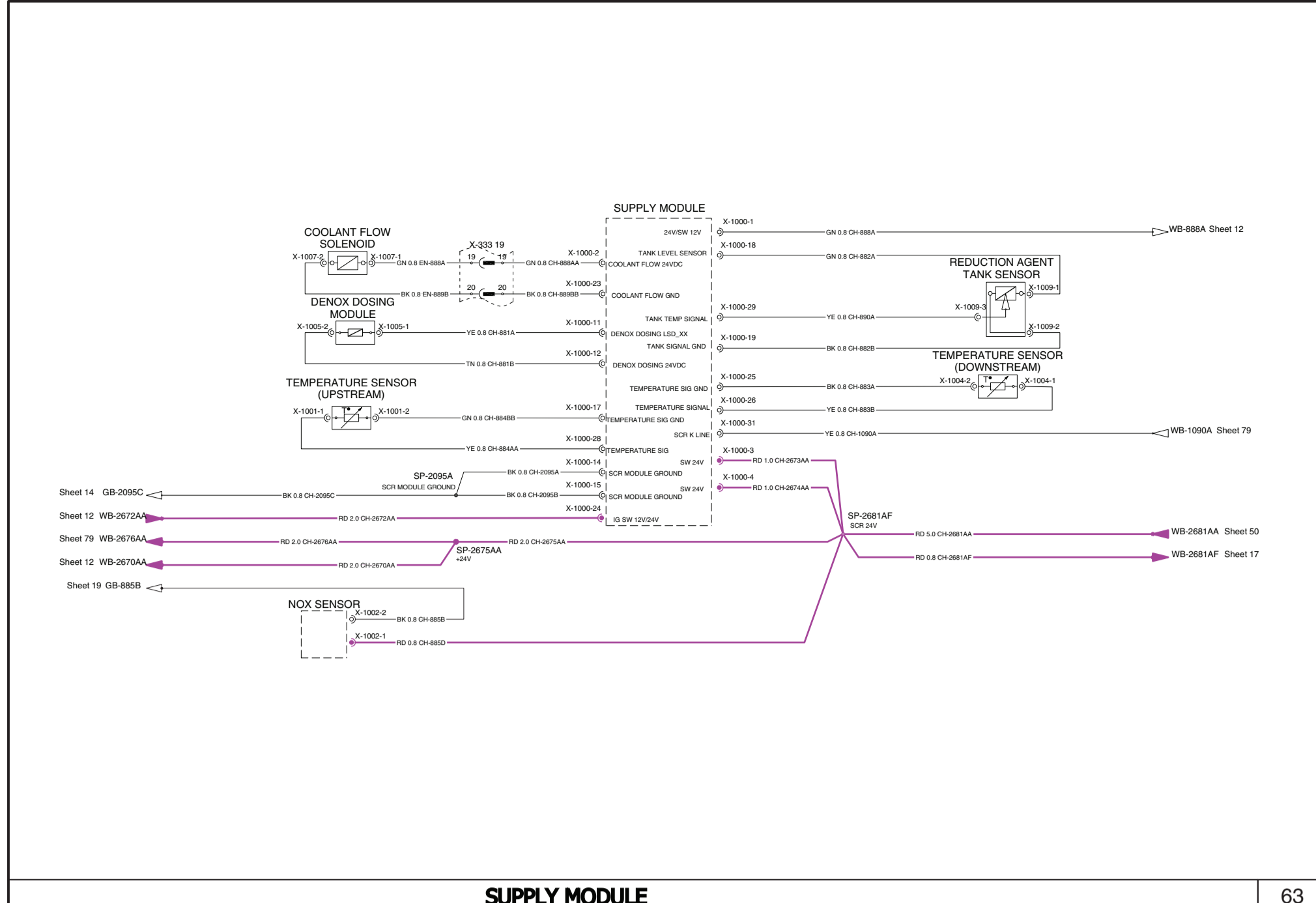
OUTSIDE AUTOGUIDANCE 60



OUTSIDE AUTOGUIDANCE 61



FNRP 62

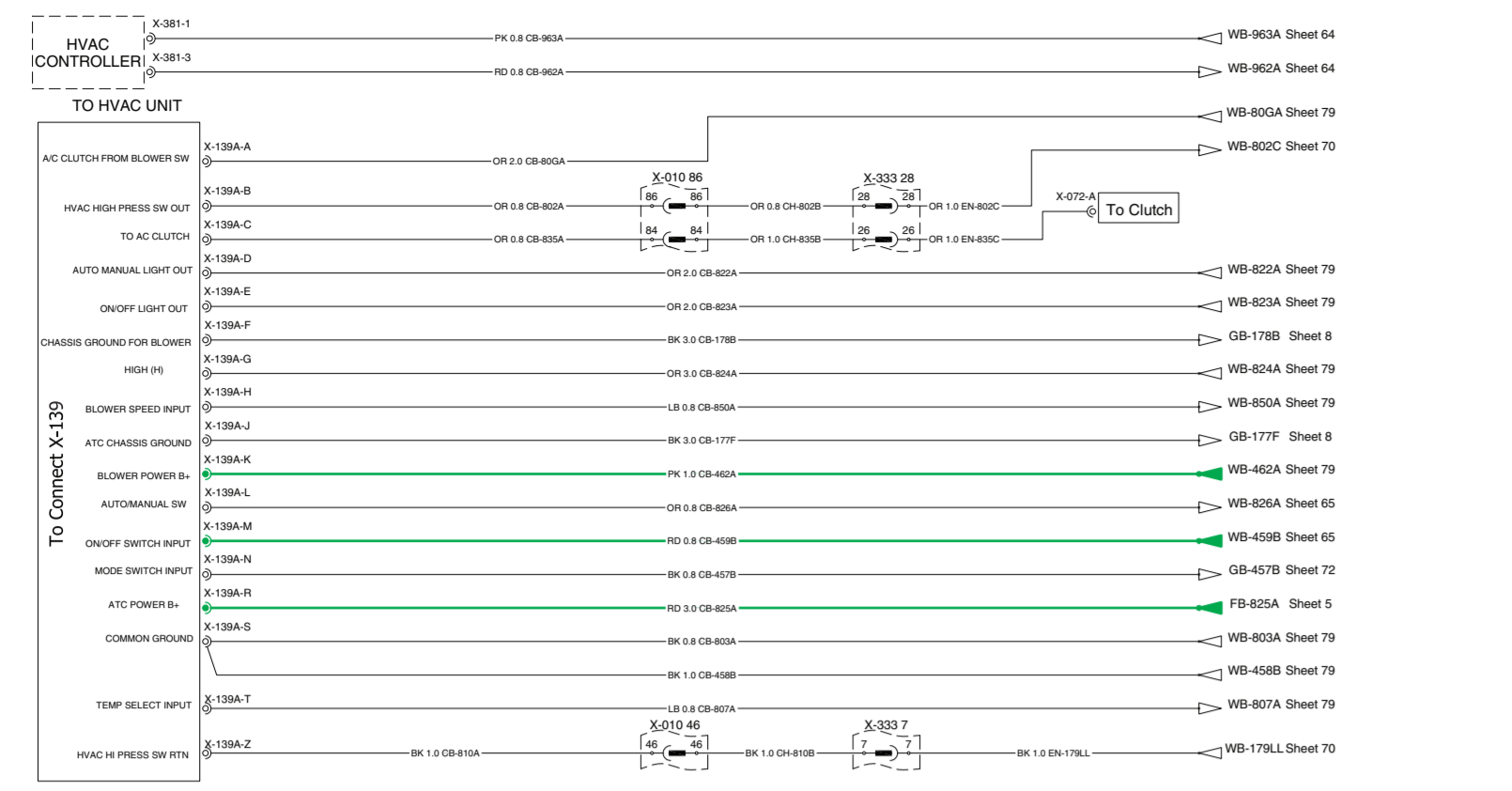


T8.275, T8.300, T8.330, T8.360 AND T8.390 TRACTOR SERIES ELECTRICAL SCHEMATIC RAC 84414790

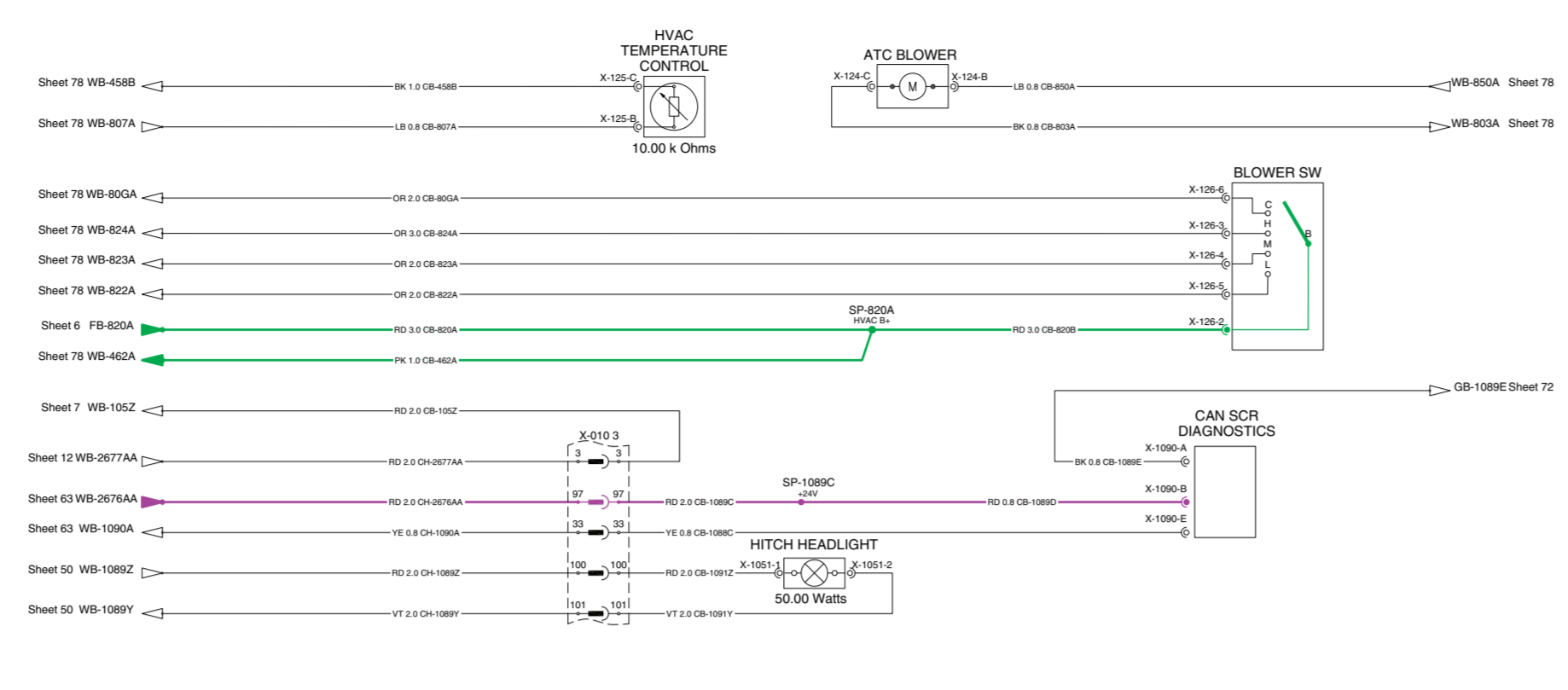
LEGEND

- INDICATES CONSTANT POWER
- INDICATES POWER WHEN KEY SWITCH IS ON
- INDICATES POWER WHEN KEY SWITCH IS IN START POSITION
- INDICATES 24 VOLT CIRCUIT

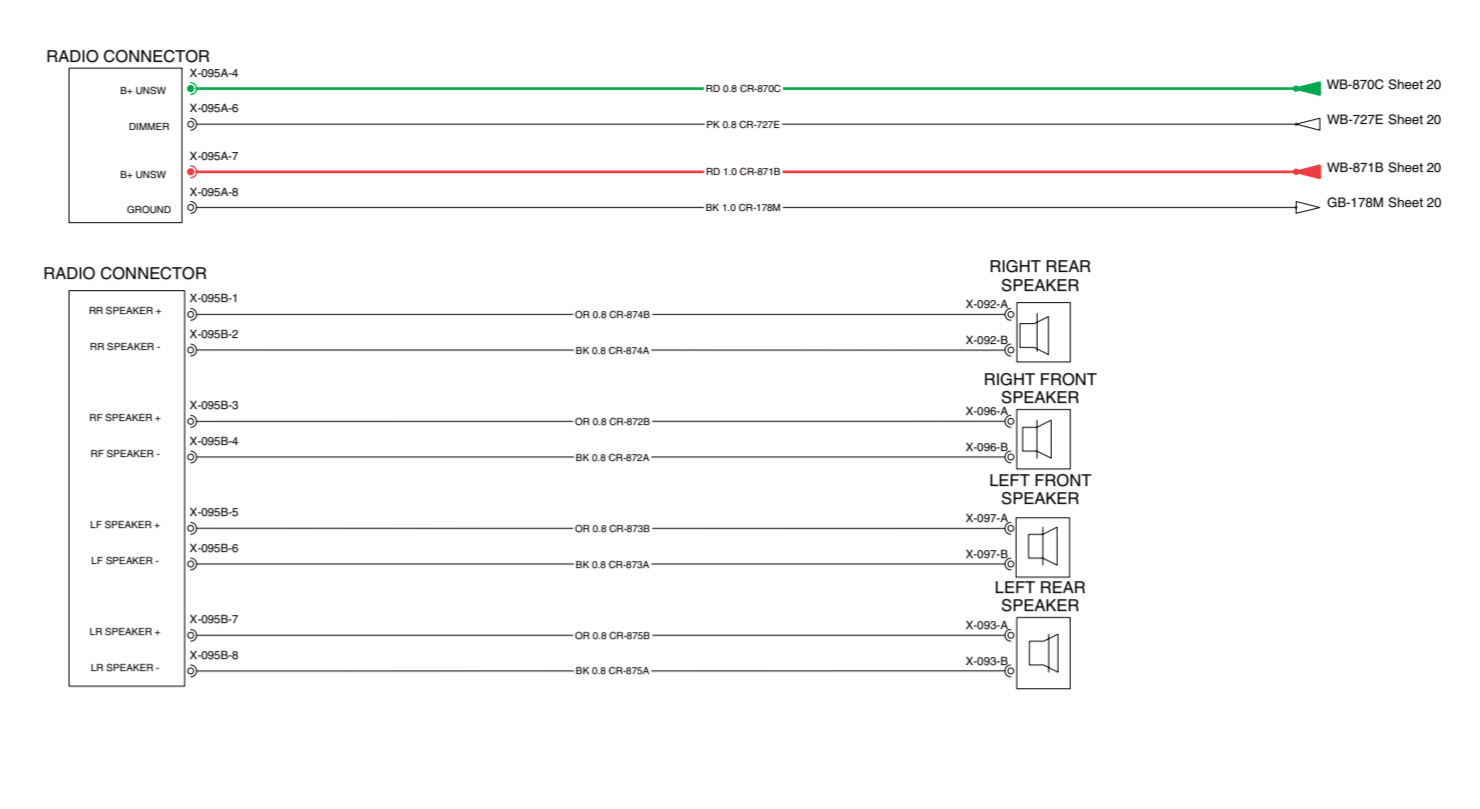
RAC84414790S1S



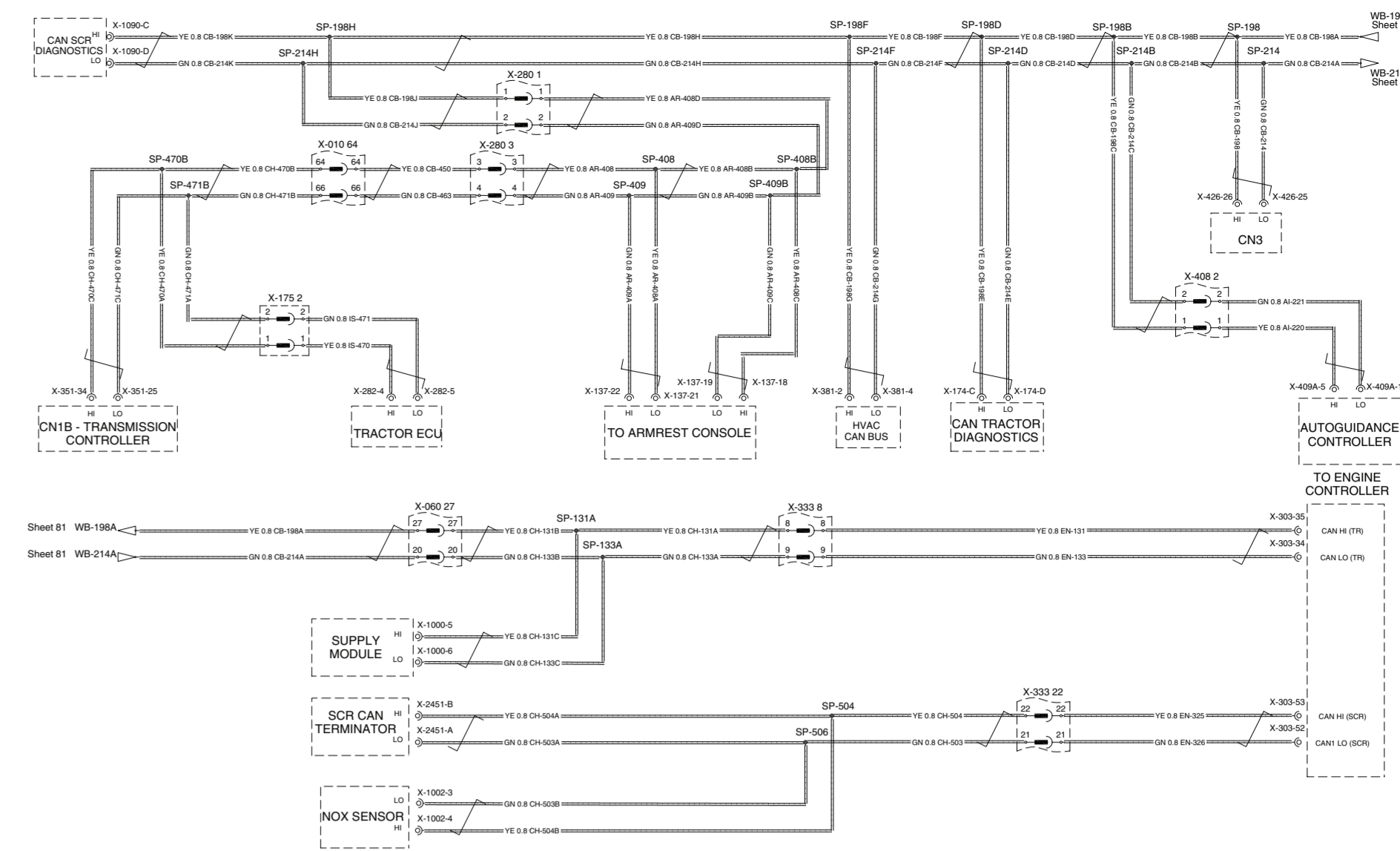
HVAC CONTROL



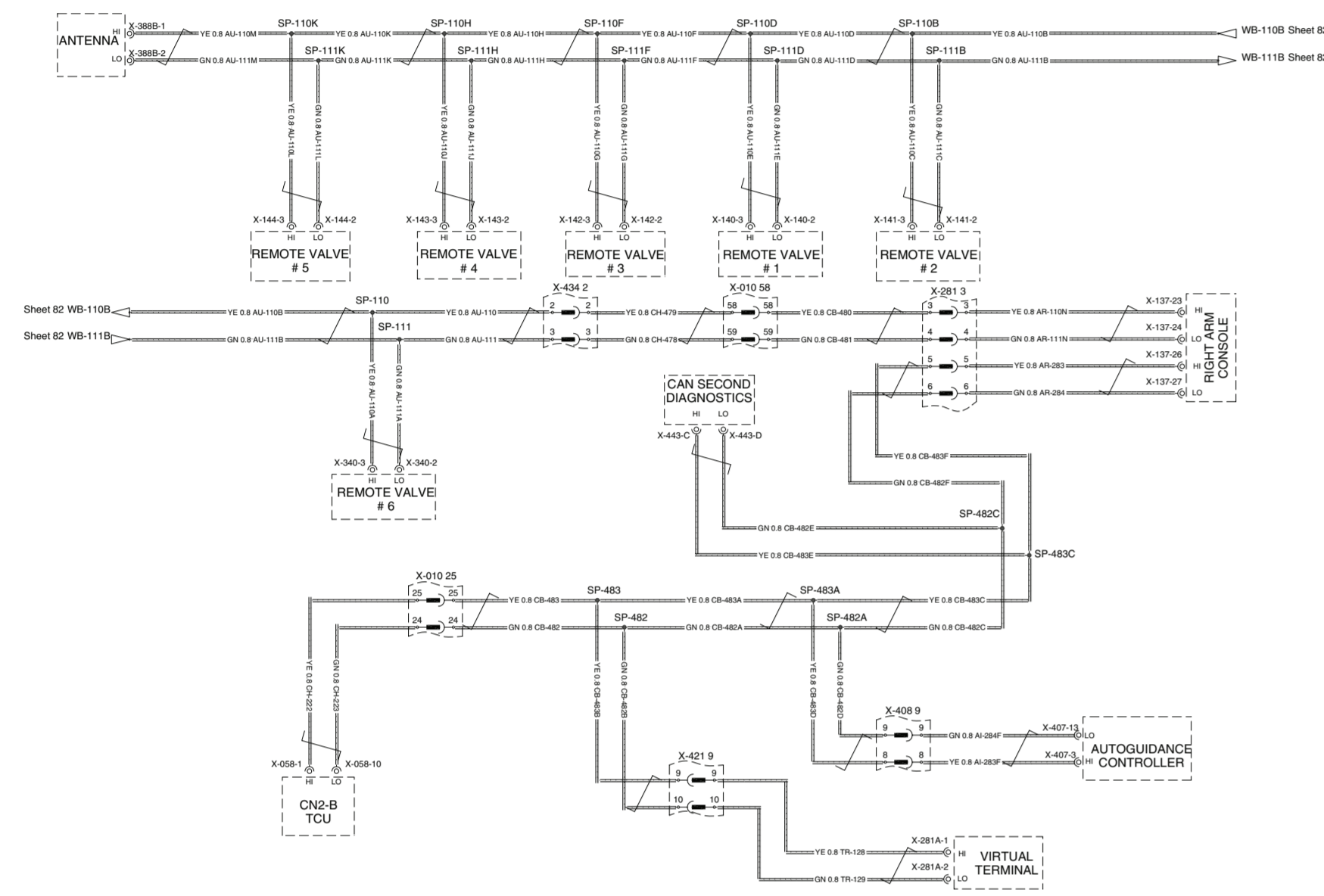
HVAC CONTROLLER



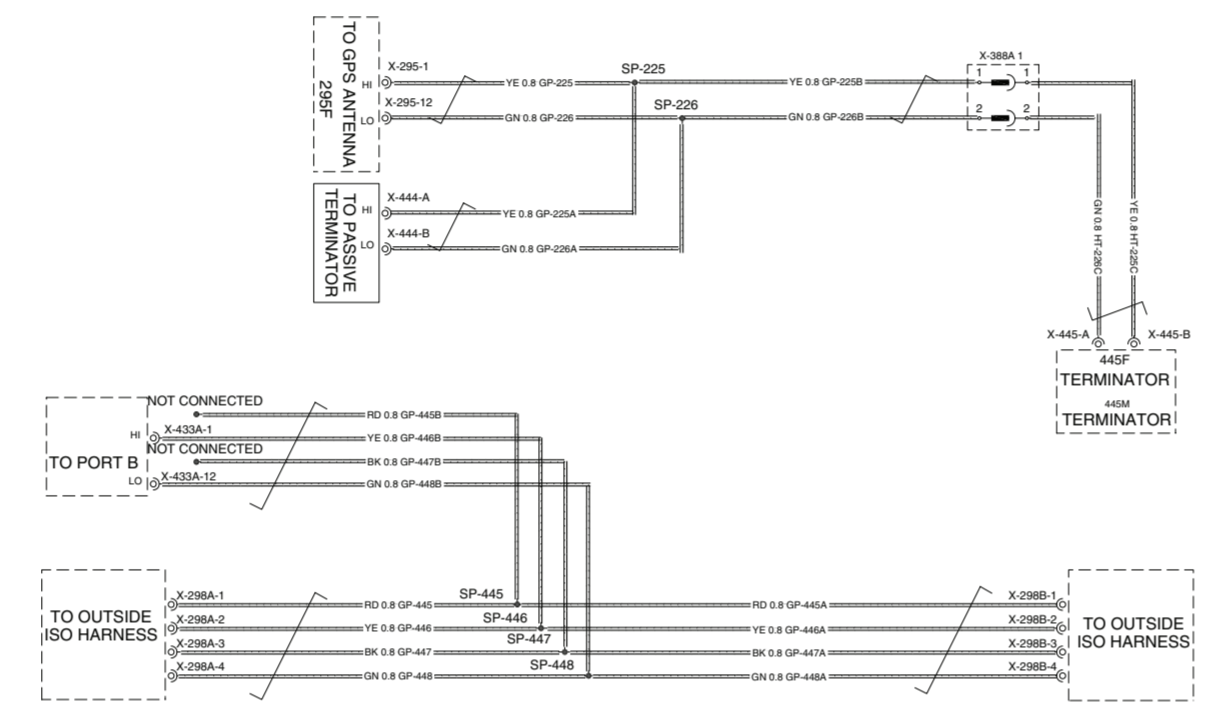
RADIO SYSTEM



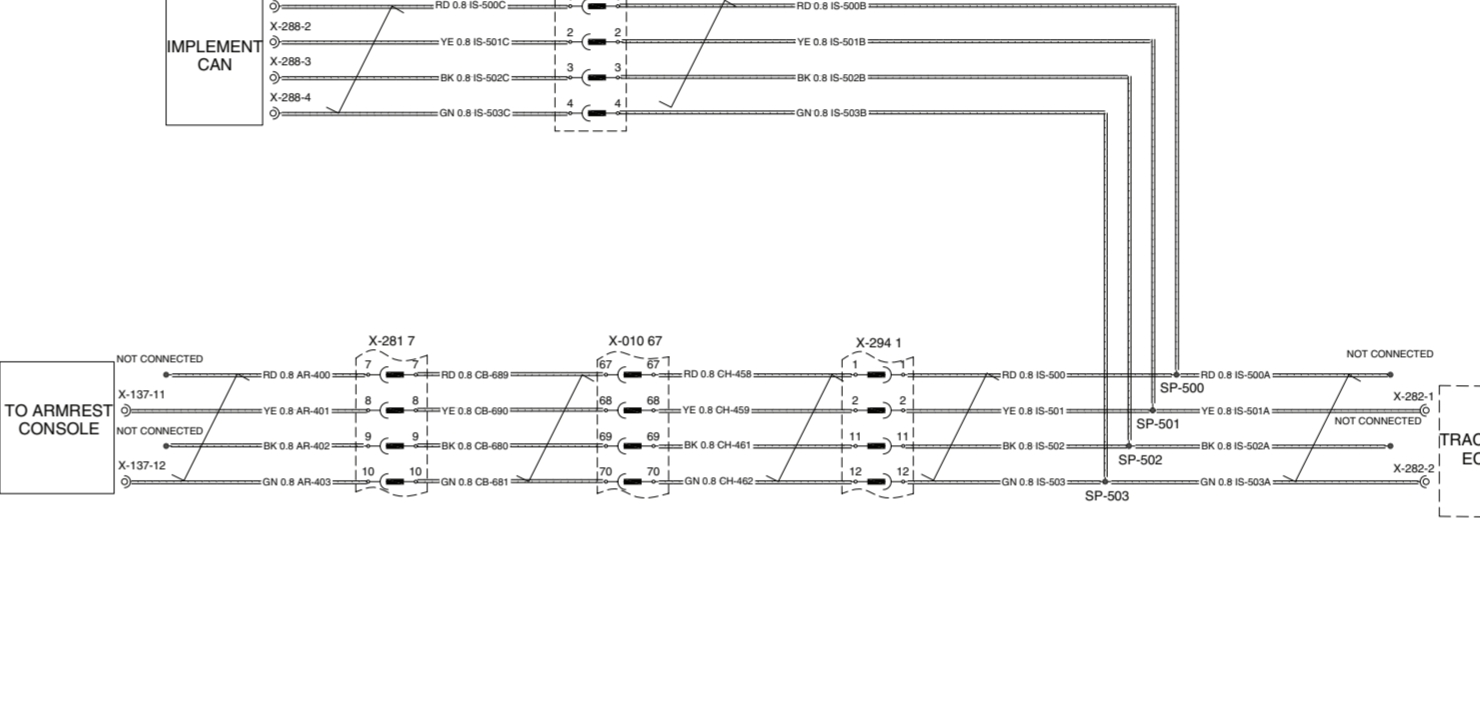
PRIMARY CAN BUS



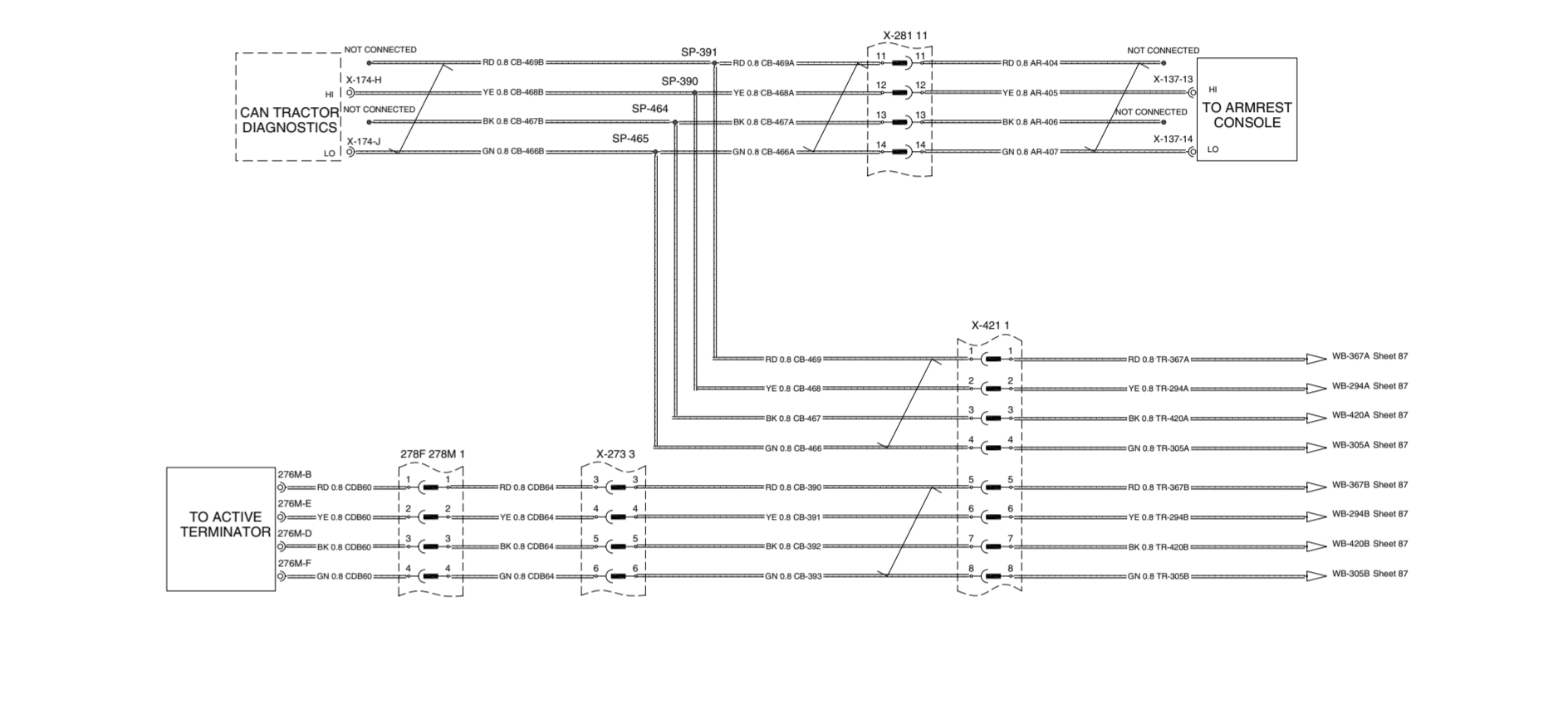
SECONDARY CAN BUS



SECONDARY CAN BUS

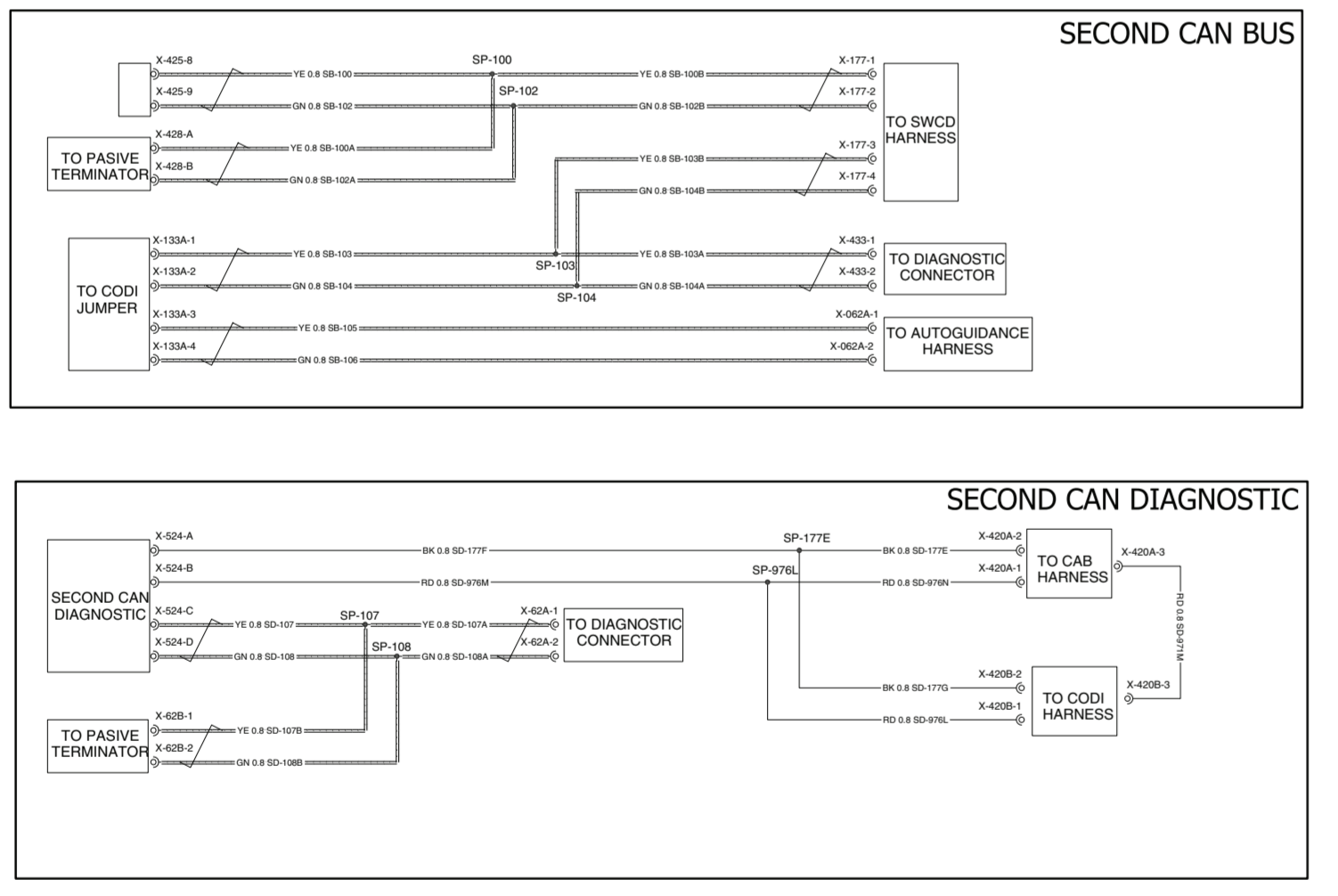


ISO CAN BUS

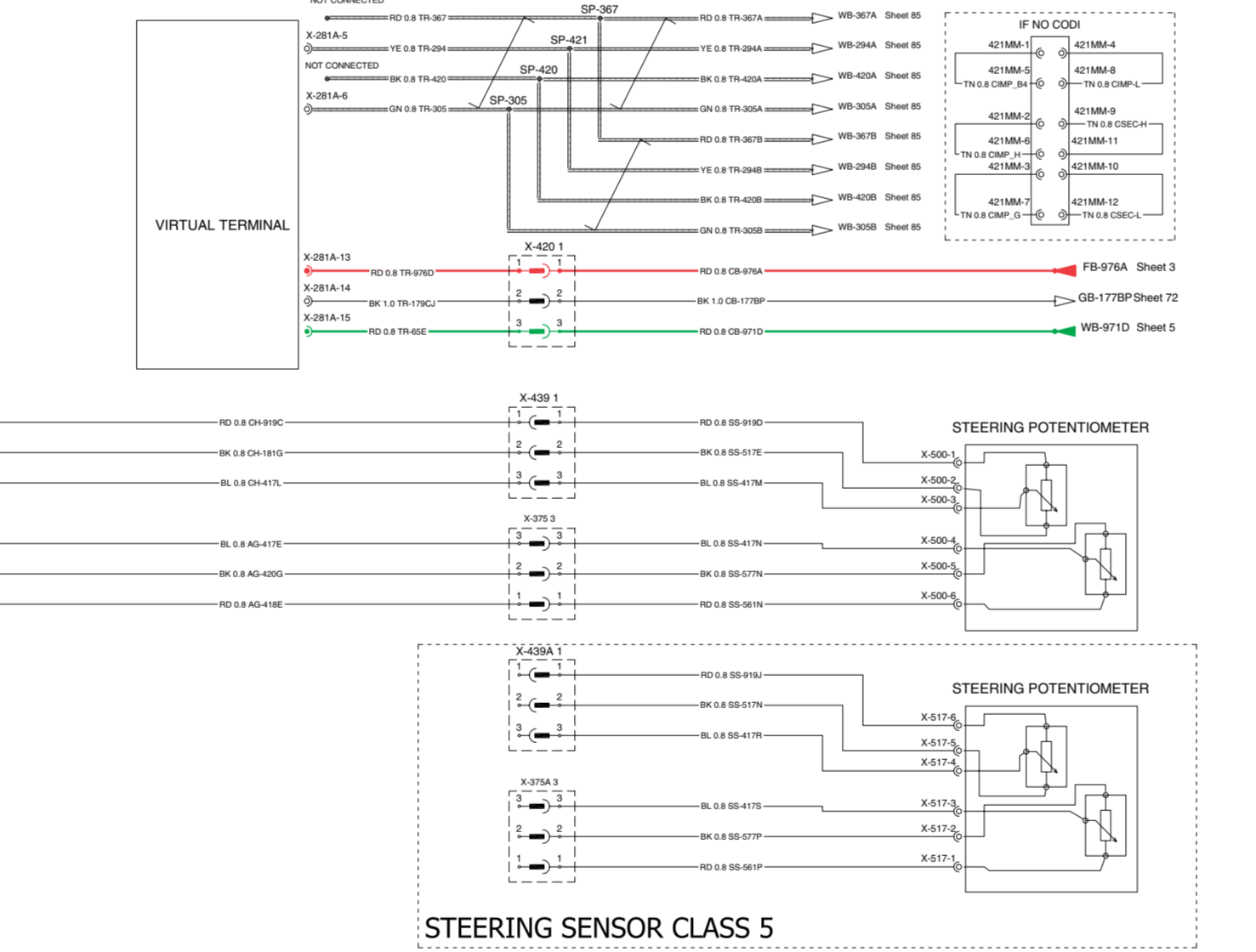


CAN BUS ISO 11783 CAB INTERIOR

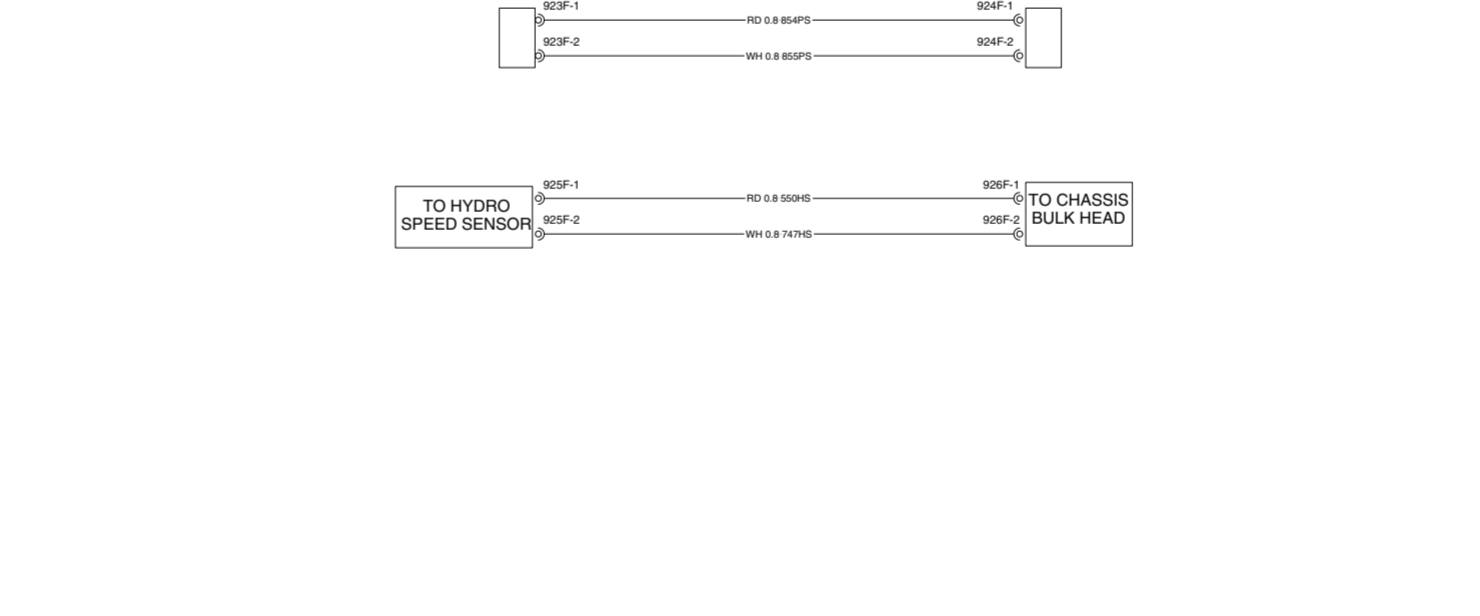
NOTE: FRAMES 89 THROUGH 92 ARE UNUSED.



SECONDARY CAN BUS/DIAGNOSTIC



CODI



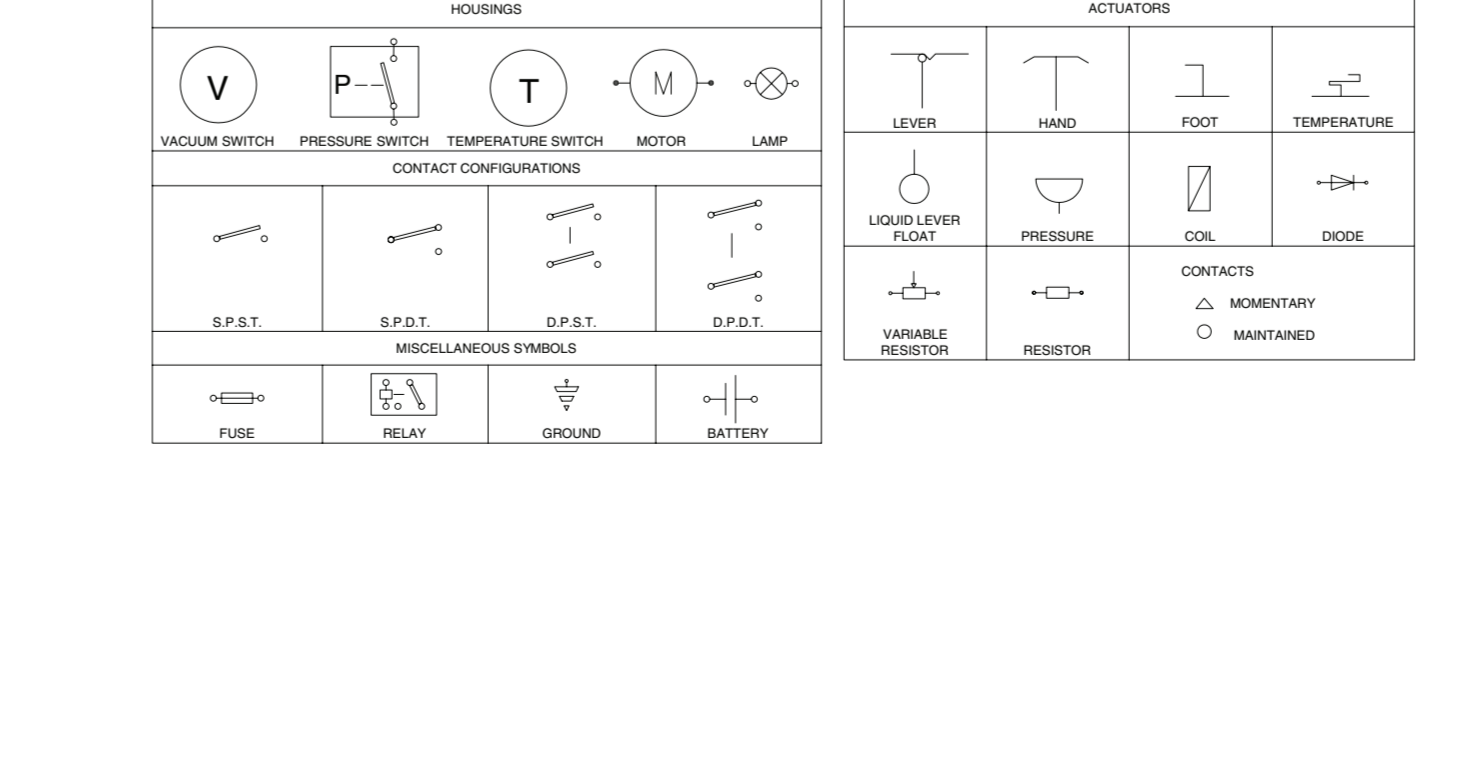
PUMP SWASH SOL CVT

Table with color abbreviations (RED, TAN, WHITE, etc.) and harness names (CHASSIS, CAN BUS, etc.) used in the diagrams.

COLOR LEGENDS & ABBREVIATIONS

Harnesses / Cables Index table listing part numbers (PN), revision levels (REV LEVEL), and descriptions for various harnesses like Chassis, CAN Bus, and Steering Sensor.

HARNESS P/N



STANDARD SYMBOLS

Index table listing circuit descriptions and page numbers for various components and systems in the manual.

INDEX