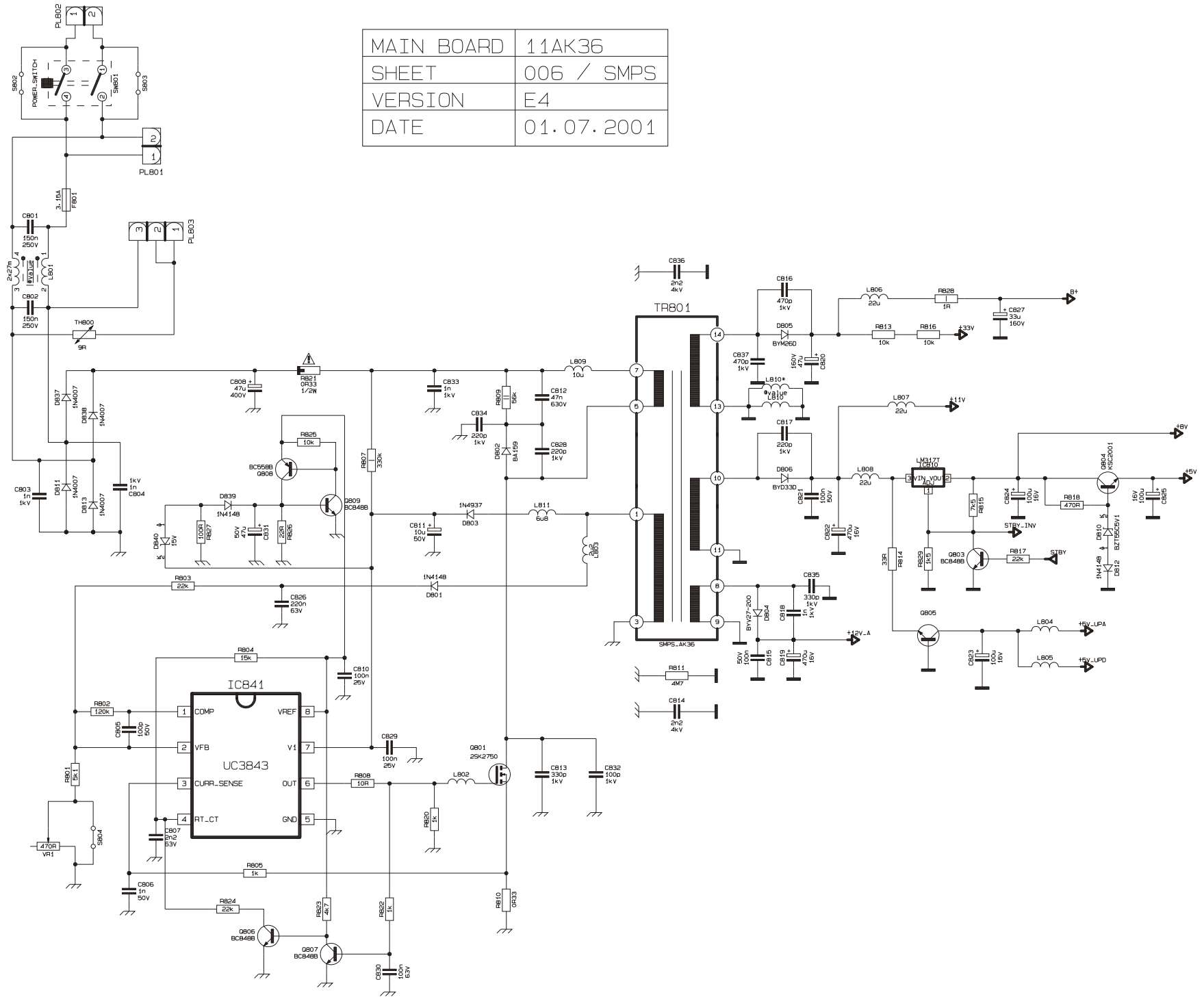
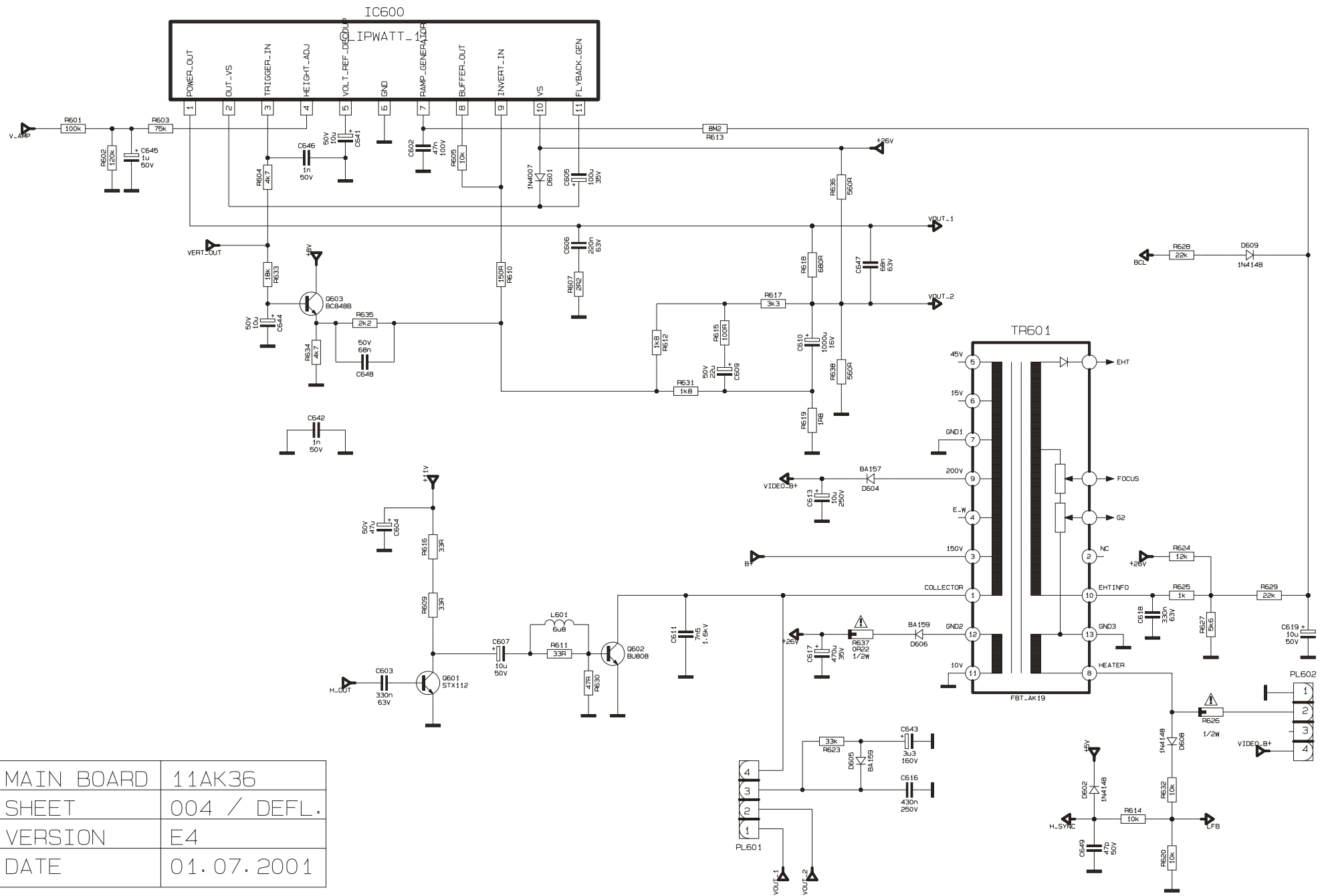


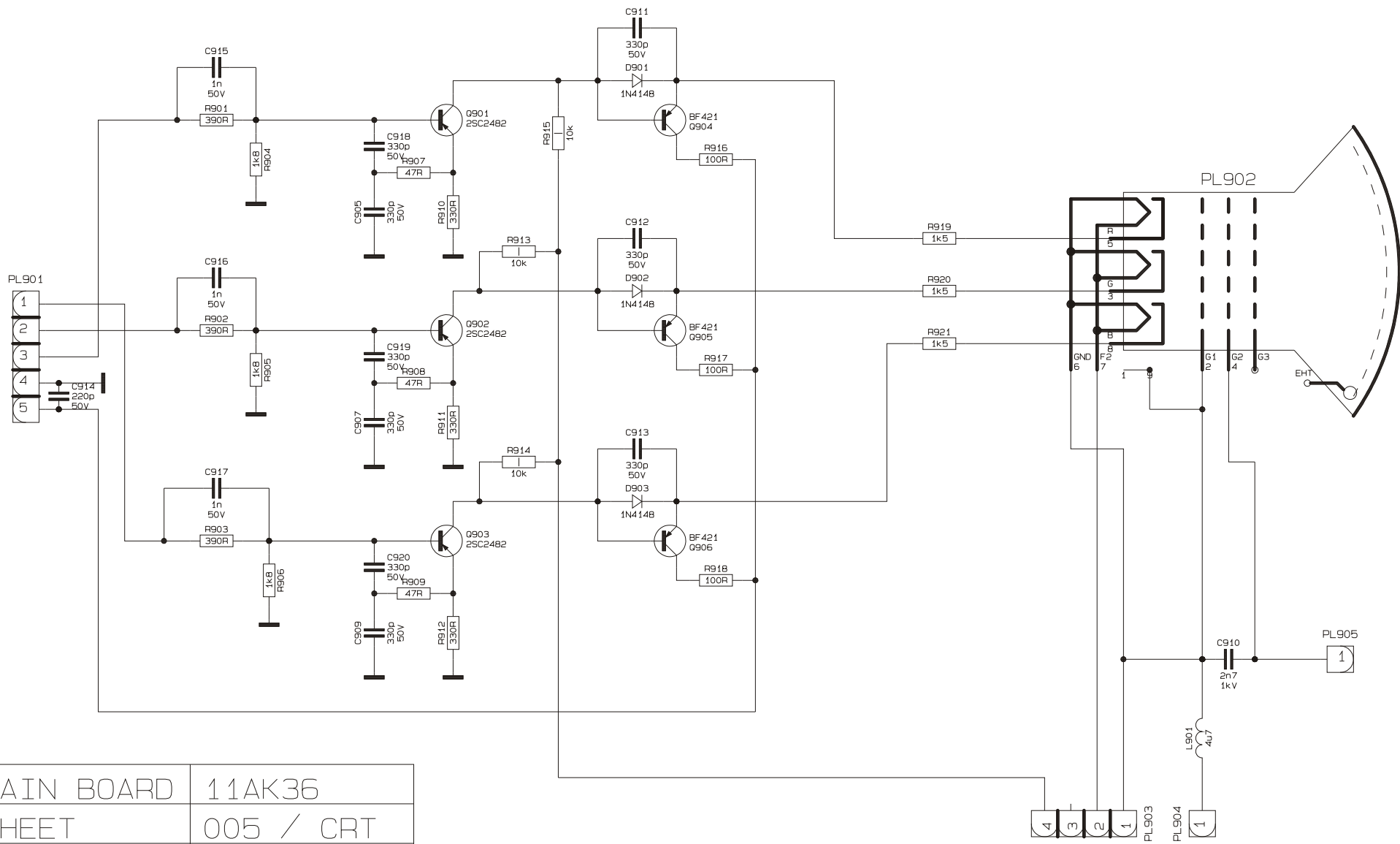
MAIN BOARD	11AK36
SHEET	001 / uC
VERSION	E4
DATE	01.07.2001

MAIN BOARD	11AK36
SHEET	006 / SMPS
VERSION	E4
DATE	01.07.2001



MAIN BOARD	11AK36
SHEET	004 / DEFL.
VERSION	E4
DATE	01.07.2001





MAIN BOARD	11AK36
SHEET	005 / CRT
VERSION	E4
DATE	01.07.2001